

# Product Information Packet

November 8, 2016

Data shown is for the current revision model #. Ensure your nameplate model # matches.

<b>Model Number:</b>	<b>5KS254XAA1076B</b>
<b>Catalog Number:</b>	<b>M9551</b>
<b>Instruction Manual:</b>	GEI-56128
<b>Connection Diagram:</b>	GEM2034E-FIG1
<b>Outline Drawing:</b>	4002B5825PBP5311

## Accessory Connection Diagrams

<b>Bearing Thermocouple:</b>	None	<b>Heater:</b>	None
<b>RTD:</b>	None	<b>Thermistor:</b>	None
<b>Thermostat:</b>	None	<b>Winding Thermocouple:</b>	None
<b>Bearing RTD:</b>	None		

## Table of Contents

Specification	01
Performance Characteristics	02
Outline Drawing	03
Connection Drawing(s)	04
Spare parts	05



**Marks:**

<b>MODEL NUMBER:</b>	<b>5KS254XAA1076B</b>	<b>Estimated Weight:</b>	315 Lbs
<b>Outline Drawing:</b>	4002B5825PBP5311	<b>Time Rating:</b>	CONT
<b>Connection Diagram:</b>	GEM2034E-FIG1	<b>Enclosure:</b>	TEFC
<b>Instruction Book:</b>	GEI-56128	<b>Encl Construction:</b>	841
<b>Design Code:</b>	25BD0090B	<b>Ambient Max(°C):</b>	40
<b>Type:</b>	KS	<b>Alt Ambient Max(°C):</b>	--
<b>Frame:</b>	254TC	<b>Insulation Class:</b>	H
<b>Phases:</b>	3	<b>NEMA Design:</b>	B
<b>Poles:</b>	2	<b>Nominal Efficiency:</b>	91 %
<b>Output Power:</b>	15HP 11.1KW	<b>Guaranteed Efficiency:</b>	90.2
<b>RPM:</b>	3550	<b>3/4 Load Efficiency:</b>	91.8
<b>Voltage:</b>	575	<b>KVA Code:</b>	G
<b>Hertz:</b>	60	<b>Max KVAR:</b>	2.9
<b>Amps - FL:</b>	13.9	<b>Power Factor:</b>	89.0
<b>Service Factor:</b>	1.15	<b>Bearing - DE:</b>	6310ZC3
<b>Alt Service Factor:</b>	--	<b>Bearing - ODE:</b>	6309ZC3

**Enclosure is Totally Enclosed Fan-Cooled**

**Stamped Nameplate Notes:**

IEEE-STD-841-2009  
 DE BRG 50BC03JP30 ODE BRG 45BC03JP30  
 STAMP NP249A5564P051 AS BELOW:  
 MODEL:5KS254XAA1076B S/N: XXX  
 CSA CERTIFIED CSA09.2216219 FOR EX NA IIC 200 C GC  
 CL1ZONE2 AEXNAIIC 200 C; CL1DIV2 GRP ABCD 200 C  
 IN -25C <= AMB <= 40C, 1.0 SF ON SINE-WAVE PWR  
 SURF TEMP 230 C AT 1.15 SF ON SINE-WAVE PWR  
 OR 200 C VT OR 215 C CT OR 200 C CHP PWM CONTROL  
 ALTERNATE RATING FOR PWM CONTROL 1.0 SF 40 C AMB  
 VT 0-60 HZ, CT 3-60 HZ, CHP 60-90 HZ.

**Additional Information:**

2P - T EXTN  
 STANDARD FLOOR MOUNT  
 C/BOX 137 CU IN-1.25 NPT  
 F1 CONDUIT BOX MOUNTING  
 "C" FACE AT DE ENDSHIELD AK=8 1/2"  
 PAINTED FRAME ID & SHAFT,  
 FAN COVER INSIDE & ODE E/S OUTSIDE  
 ROUTINE AND 5 POINT VIBRATION TESTS INCL IN C/BOX  
 INPRO SEAL BOTH ENDS  
 GROUND SCREW ON FRAME  
 ROTATE D.E. E/SHIELD 90 DEG. PER OUTLINE  
 SHAFT RUNOUT LIMIT .001" TIR  
 COPPER WASHER UNDER HEADS OF BEARING CAP BOLTS  
 APPLY TITE-SEAL (A50CD427A) ON BEARING CAP SCREWS, RABBETS,



AND PLUG THREADS  
OIL RESISTANT SLEEVING ON LEADS

**Performance Characteristics**

1st Winding 1st Connection

**Design: 25BD0090B**

**Marks:**

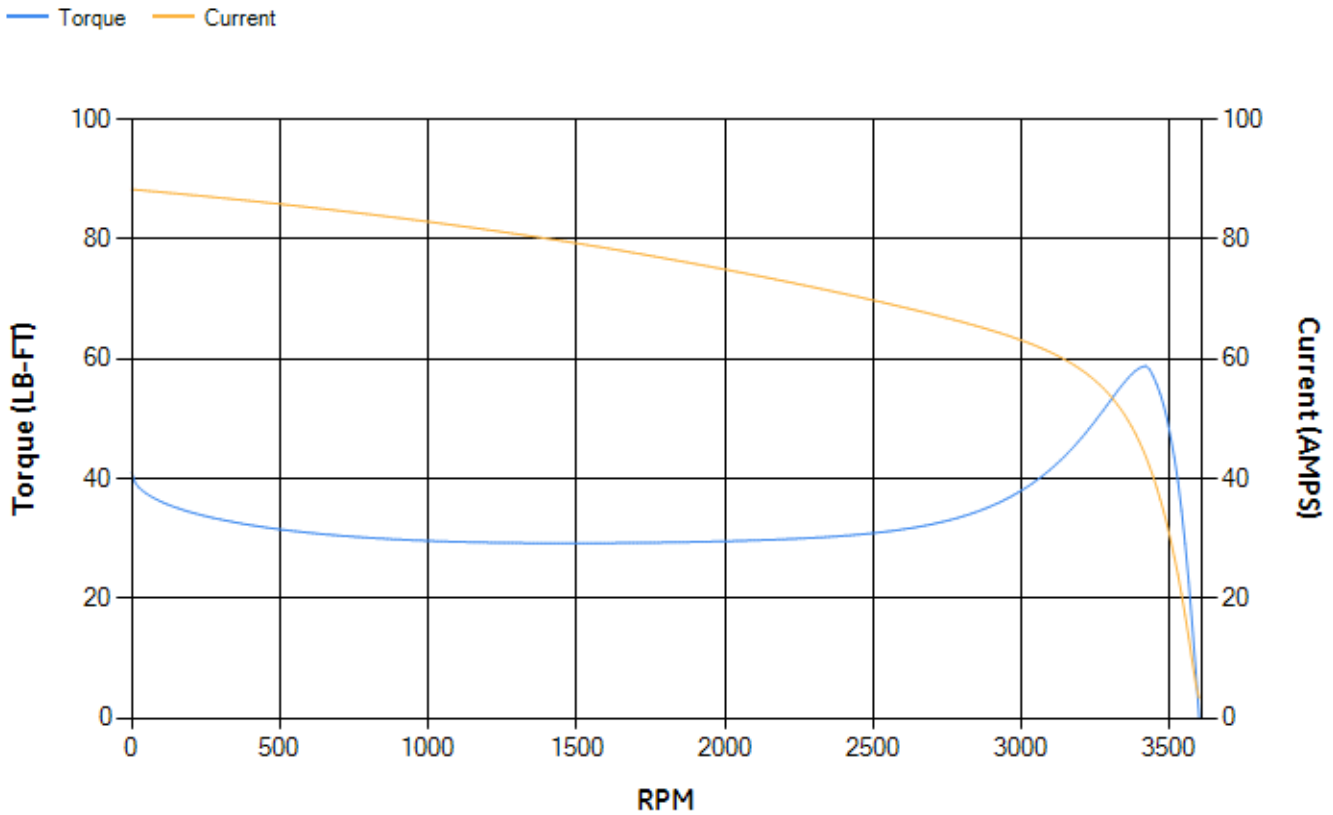
LOAD %	125.0	115.0	100.0	75.0	50.0	25.0	0.0
% EFF	89.41	90.08	91.1	91.78	91.66	88.38	0.00
% PF	88.67	89.04	89.2	88.1	83.48	67.11	9.45
AMPS	17.71	16.1	13.82	10.42	7.34	4.73	3.28

TORQ(FL)#FT	22.19	TORQ(LR)%FL	185.05	TORQ(BD)%FL	263.8
AMPS(LR)	88.3	PF AT START	0.3		

This motor is capable of two cold or one hot start with a maximum connected load inertia of 100 Lb-Ft Sq (4.21 Kg-meter Sq) at 100% voltage, where the load torque varies with the square of the speed. Acceleration time with maximum inertia and the above load type is 45 seconds. Safe stall time at 100% voltage is 93 seconds cold, 59 seconds hot. Rotor inertia is 1.05 Lb-Ft Sq (0.04 Kg-meter Sq).

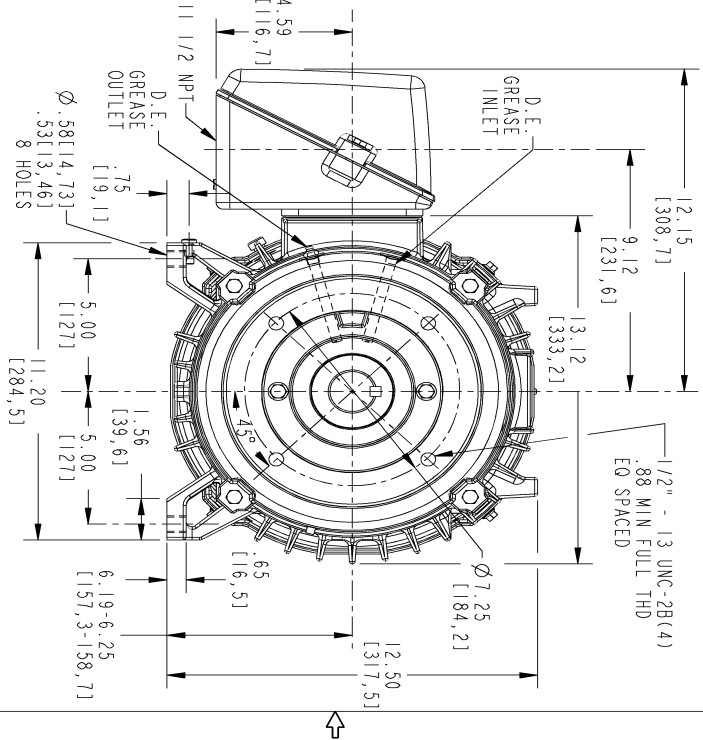
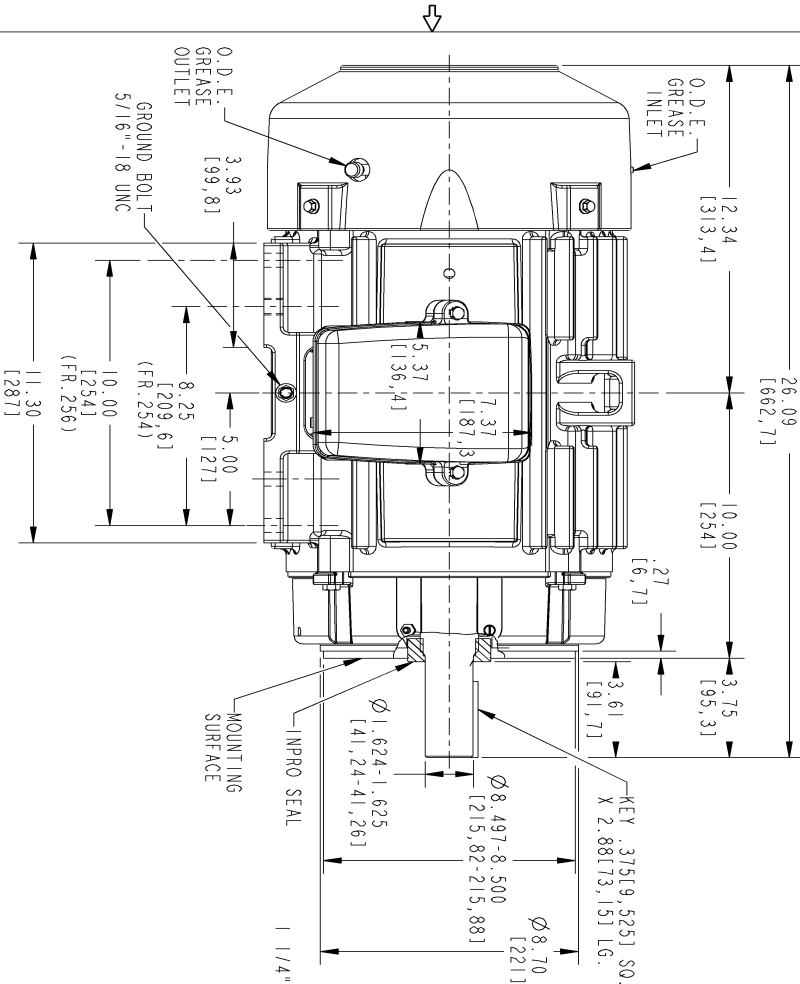
Open Circuit A-C:	0.836	Short Circuit D-C:	0.012
Short Circuit A-C:	0.031	X/R Ratio:	4.631
Stator Slots:	36	Rotor Slots:	26

**Speed Torque Current Curve (First Connection, First Speed)**



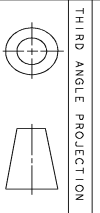
Marks:

- NOTE 1: CONDUIT BOX MAY BE ASSEMBLED WITH ENTRANCE UP, DOWN OR TO EITHER SIDE.
- NOTE 2: F1 ASSEMBLY AS SHOWN. F2 ASSEMBLY CONDUIT BOX ON OPPOSITE SIDE FROM SHOWN LOCATION.
- NOTE 3: MOUNTING SURFACES WILL BE SQUARE AND CONCENTRIC WITH SHAFT WITHIN .004 T.I.R.
- NOTE 4: SHAFT RUNOUT WILL NOT EXCEED .001 T.I.R.
- NOTE 5: DE ENDSHIELD ROTATED 90° COUNTER CLOCKWISE
- NOTE 6: ALL DIMENSIONS ARE IN INCHES, BRACKETED DIMENSIONS ARE IN METRIC (MILLIMETERS)



SIZE DRAWING NO. **4002B5825PBP5311** 0

REV.	DESCRIPTION	DATE	APPROVED



SIGNATURES	DATE		<b>GE Motors</b>	<b>GENERAL ELECTRIC COMPANY</b>
MODEL: TEJASNI	06/10/15			
DETAIL: TEJASNI	06/10/15	TITLE: <b>INDUCTION MOTOR OUTLINE</b>		
CHECKED: ADI	06/10/15	IEEE-841 SPEC, "C" FACE AT DRIVE END (85° RABBIT)		
ENG: VENKAT	06/10/15	FR: 254/256TC TFC		
QUALITY		SIZE DRAWING	<b>4002B5825PBP5311</b>	REV
ISSUED	TEJASNI	06/10/15	<b>0</b>	<b>0</b>
SOLD MODEL: 4002B5825PBP5311	SCALE: 0.250	REF. No: 4002B5825PBP5311	SHEET 1 of 1	

Marks:

**Connection Diagram**  
**GEM2034E-FIG1**



End shield Assembly		
Part Description	DE Side Part#	ODE Side Part#
End Shield	128D6106PM1	4004D5283SE1
Bearing	235A2608AA01	235A2607AA01
Slinger/Inproseal	235A4575GC20	4002B5914AG4

Fan & Fan Cover Assembly	
Part Description	Part#
Fan	159C6704G02
Fan Cover	4003C5788PA1

Conduit & Accessories Box Assembly	
Part Description	Part#
Conduit Box	4002B5728PA-G04

Mechanical Accessories	
Part Description	Part#
Brake	
Tachometer	