

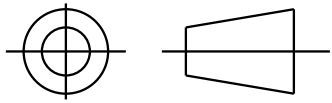
SHEET 1

REV 2

SIZE DRAWING NO. 52A111717

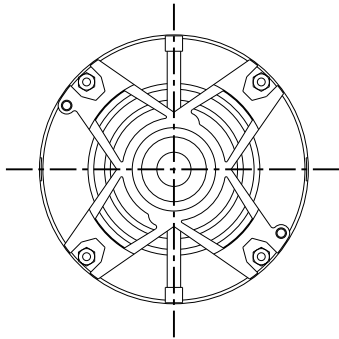
A

THIRD ANGLE PROJECTION



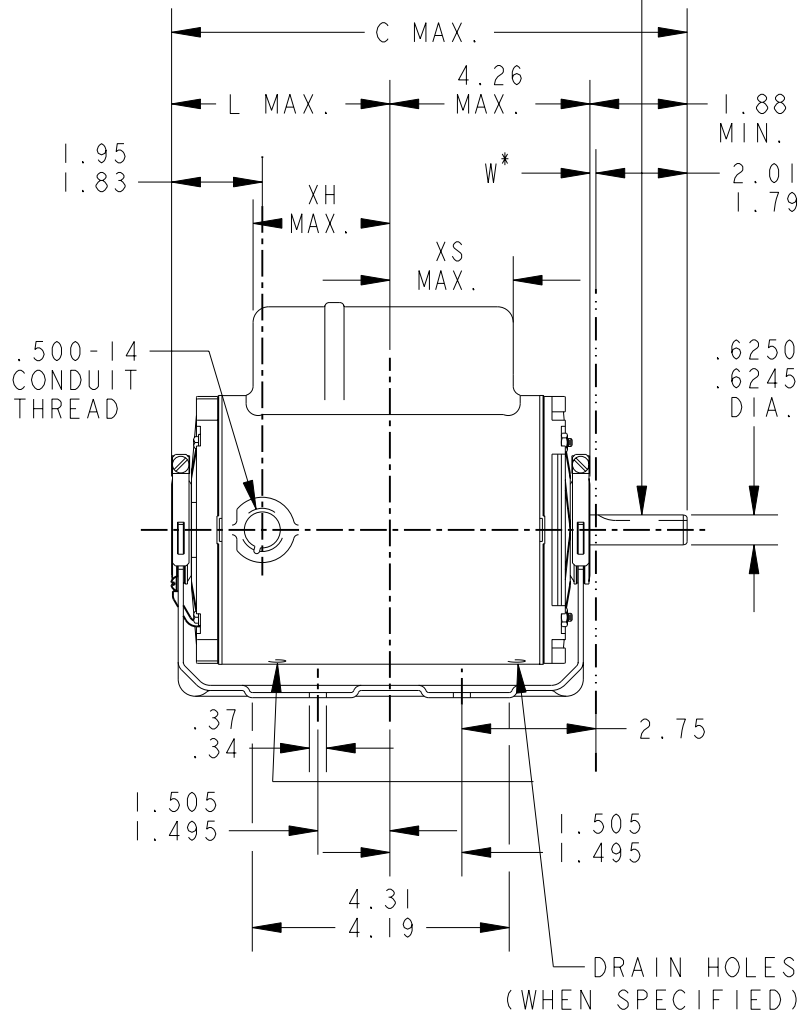
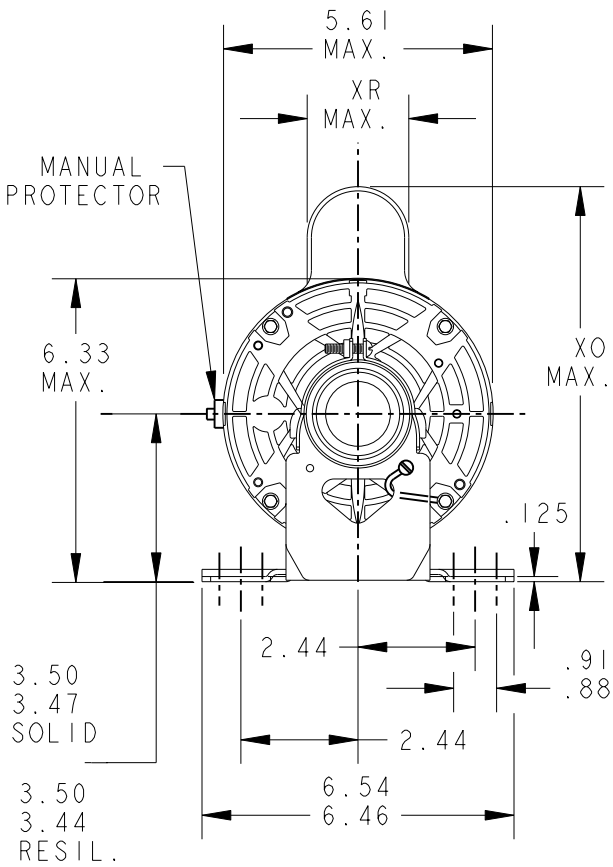
REVISIONS

| REV. | DESCRIPTION | DATE | APPROVED |
|------|------------------------------|----------|-----------|
| 1 | RBC FORMAT - NO CHGS | 08/11/05 | PRAVEEN.K |
| 2 | UPDATED AS PER ISAAC 05-2752 | 10/27/05 | PRAVEEN.K |



VIEW SHOWING
P.E. VENTILATION
OPENINGS


KEYWAY FOR .188 X
.188 X 1.32 LG. KEY



W* IS A CLEARANCE DUE TO VARIATION IN PARTS AND ASSEMBLY.

| | | | | | | | | | | | | | |
|---|------|---------|---------|------|------|------|------|------|------|--|--|--|------------|
| I | KCP | 35 | 56 | 9.94 | 3.80 | 2.66 | 3.04 | 2.22 | 8.53 | | | | 5.79 |
| P | TYPE | GE SIZE | NEMA FR | C | L | XH | XS | XR | XO | | | | SHELL REF. |

| SIGNATURES | | DATE |
|-------------------------------|------------------------|-----------------|
| MODEL | DEBRAJ | 08/04/05 |
| DETAIL | DEBRAJ | 08/04/05 |
| CHECKED | . | . |
| ENGRG | . | . |
| MFG | . | . |
| FOR ADDITIONAL INFO REFER TO: | QUALITY | . |
| APPLIED PRACTICES | ISSUED | DEBRAJ 08/04/05 |
| DIMENSIONS ARE IN INCHES ✓ | SOLID MODEL: 52A111717 | |



REGAL-BELOIT CORPORATION

TITLE **OUTLINE**

FORM N - GENERAL PURPOSE MOTOR - DRIP PROOF-SOLID OR RESIL.BASE - BALL OR SLEEVE BEARING

SIZE DRAWING **A**

SCALE: 1.000 REF. No: . SHEET 1 of 1

52A111717

REV 2