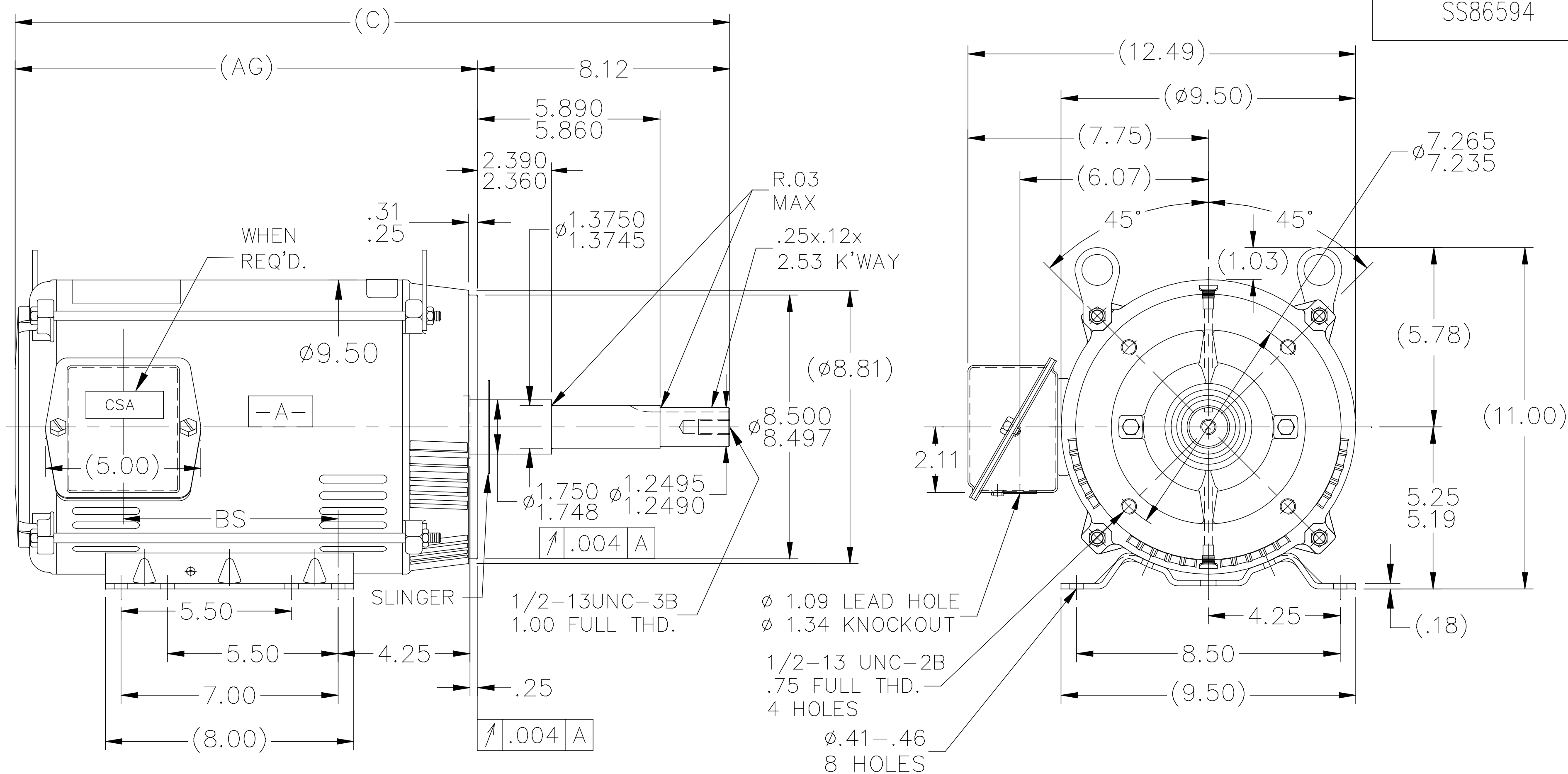


SS86594



DASH	FR.	C	AG	BS	MOUNTING
965	213JP	21.53	13.41	5.43	
1115	213/15JP	23.03	14.91	6.93	
1240	213/15JP	24.28	16.16	8.18	F1 ONLY

- NOTES:
- NAMEPLATE TO BE READ FROM C'BOX SIDE OF MOTOR.
  - BOX CAN BE MOUNTED IN 90° STEPS.
  - BOX CAN BE MOUNTED ON OPPOSITE SIDE BY REMOVING BRACKETS AND TURNING FRAME 180°. (EXCEPT AS NOTED)

NO.	REVISION	BY & DATE	CHK	ANG	TOLERANCES UNLESS SPECIFIED	FINISH	PREV
6	TITLE BLOCK LOGO CHANGE PER ECO-0078542	MDV 06/09/2015					DRAWN DA 03-26-1996
5	WHEN REQ'D NOTE ADDED PER ECO-0043948	UD 01/20/14	GR	DEC.	INCHES		CHK ML 04-01-1996
4	UPDATED DRAWING	TJW 04/27/2007		.X	±.1		APPD DN 04-01-1996
3	REDRAWN IN AUTOCAD	TAT 07-13-2004	ML	.XX	±.03	TITLE OUTLINE	SCALE 1=5
2	UPDATED C'BOX GEOMETRY	CN 28425 DRS 01-31-2000		.XXX	±.005	210JP FR.-BB-TS-DR.PR.-C' FACE	REF
1	NEW DRAWING - DES/DEV	DA 04-02-1996		.XXXX	±.0005	MAT'L.	FMF
					±7'30"		PREV
THIS DRAWING IN DESIGN AND DETAIL IS OUR PROPERTY AND MUST NOT BE USED EXCEPT IN CONNECTION WITH OUR WORK ALL RIGHTS OF DESIGN AND INVENTION ARE RESERVED THIS IS AN ELECTRONICALLY GENERATED DOCUMENT - DO NOT SCALE THIS PRINT			RFP	CAD FILE	ss86594	SIZE	DRAWING NO. PAGE OF REV.
			DIST LB			A	SS86594 6

