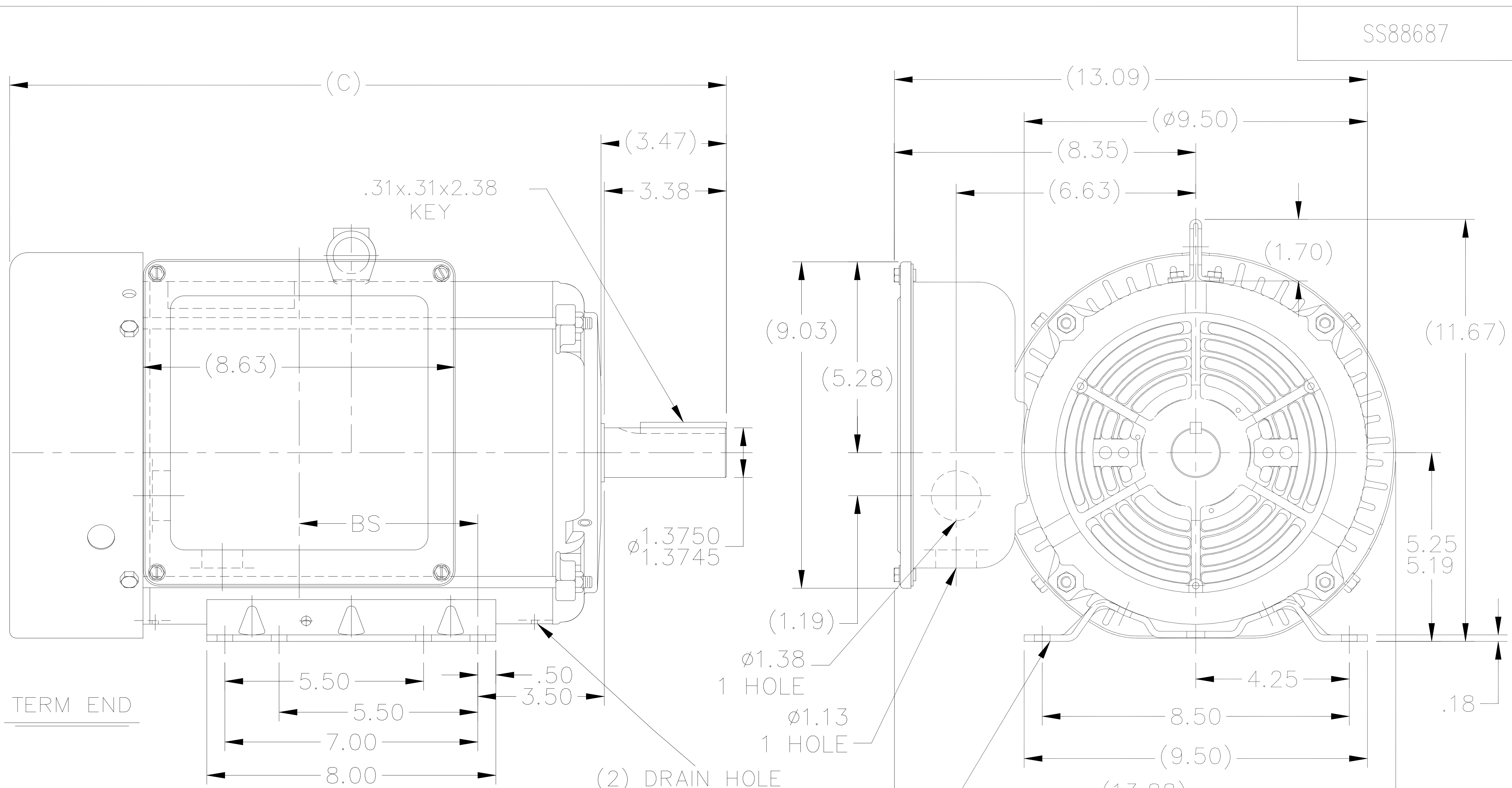



SS88687



DASH	FR.	C	BS
965	213T	18.34	3.44
1115	213/15T	19.84	4.94
1240	215T	21.09	6.19

NOTES:  
 1. NAMEPLATE TO BE READ FROM C'BOX SIDE OF MOTOR.  
 2. DASH 965 TO BE READ FROM OPPOSITE SHAFT END

				TOLERANCES UNLESS SPECIFIED		 <b>Regal Beloit America, Inc.</b>	DRAWN MJK 07-25-2007							
				DEC.	INCHES		CHK	MG	01-24-2008					
				.X	±.1		APPD	EH	01-24-2008					
				.XX	±.03	TITLE OUTLINE	SCALE	1=4						
				.XXX	±.005	210 FR. - TEFC - 1 PHASE	REF							
A	DRAIN HOLES ADDED			KIR	02/08/16	SS	.XXXX	±.0005		MAT'L.				
NO.	REVISION			BY & DATE	CHK	ANG	±7'30"		FINISH	PREV				
THIS DRAWING IN DESIGN AND DETAIL IS OUR PROPERTY AND MUST NOT BE USED EXCEPT IN CONNECTION WITH OUR WORK ALL RIGHTS OF DESIGN AND INVENTION ARE RESERVED THIS IS AN ELECTRONICALLY GENERATED DOCUMENT - DO NOT SCALE THIS PRINT				RFP	01-24-2008	CAD FILE		ss88687		SIZE	DRAWING NO.	PAGE	OF	REV.
				DIST	LB	A	SS88687		A					