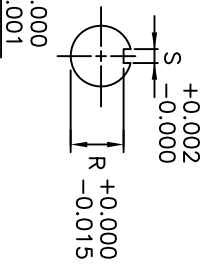
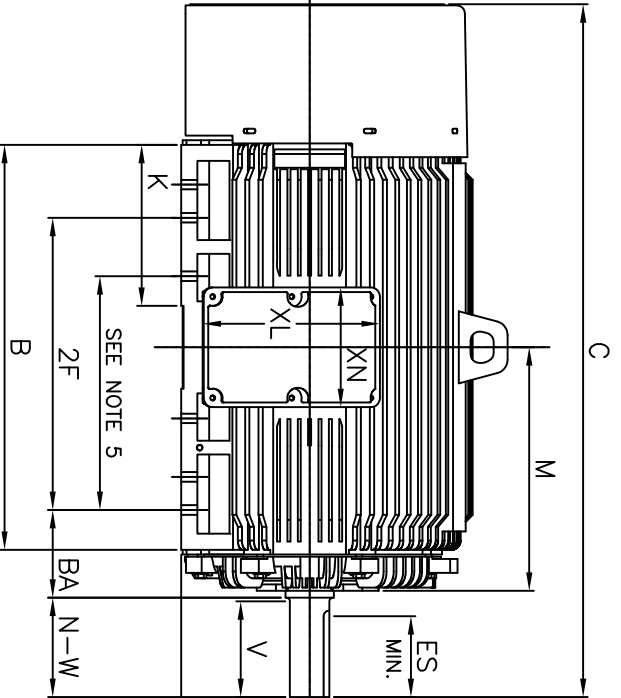


1/2"-13 UNC GND BOLT  
SEE NOTE 7



- NOTES:
1. DIMENSION V REPRESENTS LENGTH OF STRAIGHT PART OF SHAFT
  2. MAIN CONDUIT BOX MAY BE ROTATED IN 90° INCREMENTS
  3. KEY DIMENSIONS EQUAL S x S x 6.91 (MOTOR SUPPLIED WITH KEY)
  4. MOTOR WEIGHT SHOWN IS MAXIMUM HORSEPOWER IN FRAME
  5. THIS DIMENSION EQUALS 2F FOR N447T MOUNTING
  6. STANDARD PRODUCT USE BI-DIRECTIONAL FAN. OPPOSITE ROTATION AVAILABLE ONLY BY CONNECTION CHANGE
  7. FRAME GROUND BOLT STANDARD ON 841 PRODUCT

UNITS: INCHES

| FRAME SIZE    | MOTOR DIMENSIONS |             |      |       |      |                 |       |       |       |          | CONDUIT BOX |            |            |          |            |        |      |                | MAXIMUM WEIGHT |
|---------------|------------------|-------------|------|-------|------|-----------------|-------|-------|-------|----------|-------------|------------|------------|----------|------------|--------|------|----------------|----------------|
|               | A                | B           | C    | D     | G    | J               | K     | M     | O     | P        | T           | A[NPT]     | AB         | AC       | AE         | AF     | XL   | XN             |                |
| N447T/N449T   | 22.0             | 34.7        | 59.3 | 11.00 | 1.4  | 4.6             | 13.8  | 20.9  | 25.0  | 27.0     | 3.0         | 4.00       | 24.0       | 19.7     | 11.00      | 9.2    | 15.2 | 10.2           |                |
| N447TS/N449TS | 22.0             | 34.7        | 55.6 | 11.00 | 1.4  | 4.6             | 13.8  | 20.9  | 25.0  | 27.0     | 3.0         | 4.00       | 24.0       | 19.7     | 11.00      | 9.2    | 15.2 | 10.2           |                |
| FRAME SIZE    | MOUNTING         |             |      |       |      | SHAFT EXTENSION |       |       |       | KEY SEAT |             |            |            | BEARINGS |            |        |      | MAXIMUM WEIGHT |                |
|               | E                | 2F          | H    | BA    | N-W  | V               | U     | R     | S     | ES       | LS ROLLER   | LS BALL 6P | LS BALL 4P | OS 4~8P  | LS BALL 2P | OS 2P  |      |                |                |
| N447T/N449T   | 9.00             | 20.00/25.00 | 0.82 | 7.50  | 8.50 | 8.25            | 3.375 | 2.880 | 0.875 | 6.88     | NU322C3     | 6322C3     | 6318C3     | 6318C3   | -          | -      | -    | 3800 lbs.      |                |
| N447TS/N449TS | 9.00             | 20.00/25.00 | 0.82 | 7.50  | 4.75 | 4.50            | 2.375 | 2.021 | 0.625 | 3.00     | -           | 6318C3     | 6318C3     | 6318C3   | 6313C3     | 6313C3 | -    | 3800 lbs.      |                |

CUSTOMER: \_\_\_\_\_ MOTOR MODEL NO.: \_\_\_\_\_ TAG NO's.: \_\_\_\_\_

P.O. NO.: \_\_\_\_\_ HP: \_\_\_\_\_ VOLTAGE: \_\_\_\_\_ RPM(SYN.): \_\_\_\_\_ HZ: \_\_\_\_\_

FRAME SIZE: \_\_\_\_\_ PRODUCT TYPE: IEFEC EOP III 840

COMMENTS: \_\_\_\_\_

PER: \_\_\_\_\_ DATE: \_\_\_\_\_

- STANDARD (NO AUX. BOXES)
- RTD AUX. BOX
- SPACE HEATER AUX. BOX
- BEARING RTD's

TOSHIBA RESERVES THE RIGHT TO MAKE CHANGES OF TECHNICAL IMPROVEMENT AND THE DATA MAY CHANGE WITHOUT NOTICE  PRELIMINARY

DO NOT USE FOR CONSTRUCTION, INSTALLATION, OR APPLICATION PURPOSES UNLESS THE DRAWING IS MARKED AS CERTIFIED  CERTIFIED

**TOSHIBA**  
TOSHIBA INTERNATIONAL CORPORATION

TOTALLY-ENCLOSED FAN-COOLED  
HORIZONTAL FOOT-MOUNTED  
3 PHASE INDUCTION MOTOR  
F1 ASSEMBLY

**XT SERIES**  
VISIT OUR WEBSITE AT:  
www.toshiba.com/ind