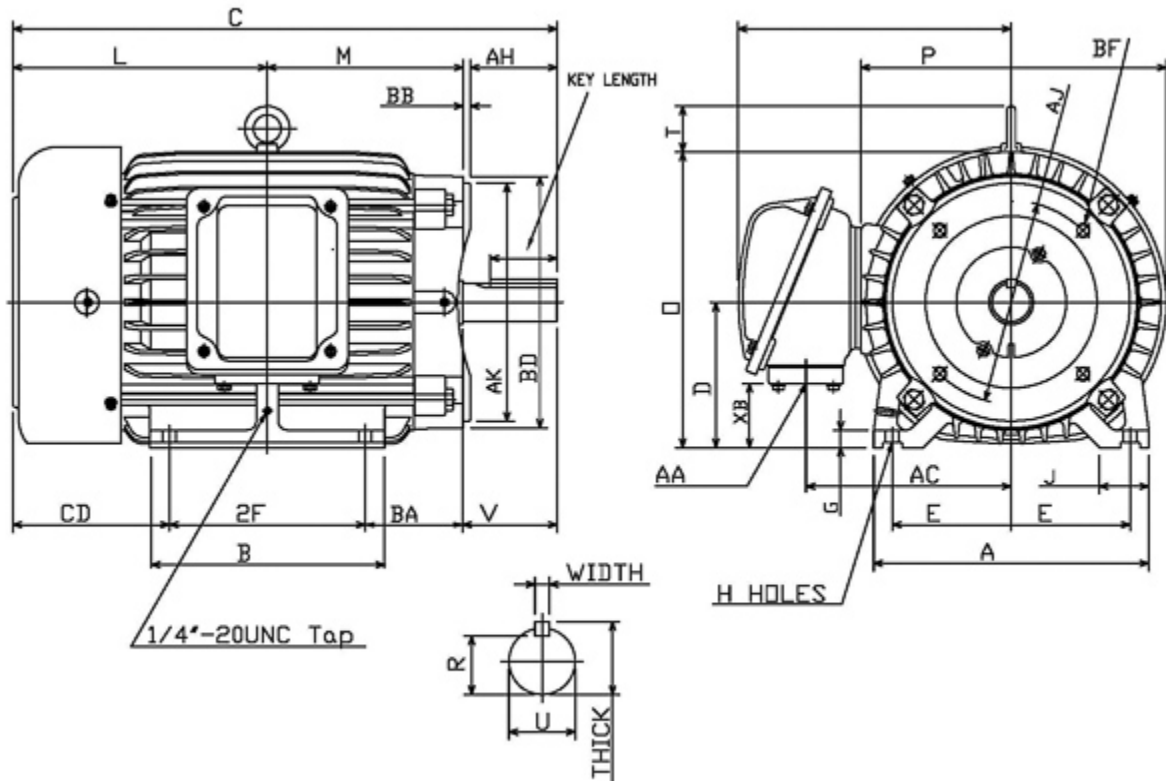


Dimensional Drawing

| Catalogue | Model | HP | Pole | kW | Rating | Voltage | Hz | RPM |
|-----------|--------|----|------|-----|------------|---------|----|------|
| APH0032C | AEHH8R | 3 | 2 | 2.2 | Continuous | 460 V | 60 | 3600 |



| Frame Size | Mounting | | | | | A | B | C | CD | D | |
|------------------|----------|------|----------|---------|--------------------|-------------|------------|-------|------------------------------|------------|---------|
| | E | 2F | 2F2 | H | BA | | | | | | |
| 182TC | 3.75 | 4.5 | | 0.41 | 2.75 | 8.82 | 5.88 | 14.89 | | 4.5 | |
| G | J | K | L | M | O | P | T | Key | | | Keyseat |
| 0.65 | 1.75 | | 7.14 | 4.87 | 9.17 | 9.61 | 1.3 | Width | Thick | Length | R |
| | | | | | | | | 0.25 | 0.25 | 1.78 | 0.986 |
| Terminal Housing | | | Aux Box | | | C/D Flange | | | | | |
| AA | AB | AC | XB | AE | AX | BB | AH | AK | BD | AJ | BF |
| NPT3/4" | 8.31 | 6.38 | 1.86 | | | | | | | | |
| Shaft Extension | | | Bearings | | Approx. Weight Lbs | SPL dBA/3ft | Ins. Class | S.F. | Drive Method | Dimensions | |
| N-W | U | V | DE | NDE | | | | | | | |
| 2.75 | 1.125 | 2.7 | 6306ZC3 | 6306ZC3 | 84 | 64 | F | 1.15 | Direct Coupling / Belt Drive | Inches | |

Technical Data Sheet

Motor Type: AEHH8R

Catalogue No: APH0032C

Nameplate Information

| | | | | | | |
|-----------|------------|----------------|-------------|-------------|--------------|----------------|
| HP | Pole | RPM | Frame | Voltage | Hz | Phase |
| 3 | 2 | 3490 | 182TC | 460 | 60 | 3 |
| Enclosure | Ins. Class | Service Factor | Time Rating | NEMA Design | Rated Amb. | Rated Altitude |
| TEFC | F | 1.15 | Continuous | B | -40 to 40 °C | <3300 ft |

Typical Performance

| Efficiency (%) | | | | Power Factor (%) | | |
|-------------------|-----------------------------|---------------------------------|--------------------------------------|---------------------|-----------|--------------------------------|
| Full Load | | 3/4 Load | 1/2 Load | Full Load | 3/4 Load | 1/2 Load |
| Nom. | Min. | | | | | |
| 88.5 | 86.5 | 90.2 | 89.5 | 90.0 | 87.0 | 79.5 |
| Torque | | | | Current (A) | | |
| Full Load (lb-ft) | Locked Rotor (% FLT) | Pull Up (% FLT) | Break Down (% FLT) | No Load | Full Load | Locked Rotor |
| 4.51 | 280 | 250 | 380 | 1.2 | 3.5 | 32 |
| NEMA KVA Code | Inertia (WR ²) | | | Safe Stall Time (s) | | Noise Level Sound Press. dB(A) |
| | Rotor (lb-ft ²) | NEMA Load (lb-ft ²) | Max. Allowable (lb-ft ²) | Cold | Hot | |
| K | 0.190 | 3.5 | 13 | 17 | 12 | 64 |

VFD Duty Information

| Speed Range | | | VFD | | S.F. |
|-----------------|-----------------|----------------|---------|--------------|----------|
| Constant Torque | Variable Torque | Constant Power | Carrier | Type | |
| 6-60Hz | 3-60Hz | 60-120Hz | ≤ 5 kHz | VPWM or CPWM | 1.0 Only |

Additional Information

| Bearings | | Approx. Weight |
|----------|---------|----------------|
| DE | NDE | lbs |
| 6306ZC3 | 6306ZC3 | 84 |

Hazardous Locations Information

| CSA Certified | |
|---|-----------|
| Class I, Div 2, Groups B, C & D | |
| Class I, Zone 2, Groups IIB+H2, IIB & IIA | |
| Temp Code (Sinewave / VFD) | T3C / T3C |