

Product Information Packet

January 12, 2017

Data shown is for the current revision model #. Ensure your nameplate model # matches.

Model Number:	5KS509SAA326C
Catalog Number:	Q514
Instruction Manual:	GEI-56128
Connection Diagram:	GEM2034E-FIG2
Outline Drawing:	239C6A00HC

Accessory Connection Diagrams			
Bearing Thermocouple:	None	Heater:	3027JE-1C
RTD:	235A3027XY	Thermistor:	None
Thermostat:	None	Winding Thermocouple:	None
Bearing RTD:	235A3027NA		

Table of Contents	
Specification	01
Performance Characteristics	02
Outline Drawing	03
Connection Drawing(s)	04



Marks:

MODEL NUMBER:	5KS509SAA326C	Estimated Weight:	4446 Lbs
Outline Drawing:	239C6A00HC	Time Rating:	CONT
Connection Diagram:	GEM2034E-FIG2	Enclosure:	TEFC
Instruction Book:	GEI-56128	Encl Construction:	SD
Design Code:	50BD3126F	Ambient Max(°C):	40
Type:	KS	Alt Ambient Max(°C):	--
Frame:	509L	Insulation Class:	F
Phases:	3	NEMA Design:	B
Poles:	6	Nominal Efficiency:	95.0 %
Output Power:	200HP 148KW	Guaranteed Efficiency:	94.1
RPM:	1185	3/4 Load Efficiency:	95.4
Voltage:	2300/4000	KVA Code:	G
Hertz:	60	Max KVAR:	56.9
Amps - FL:	46.6/26.8	Power Factor:	84.5
Service Factor:	1.15	Bearing - DE:	NU 320
Alt Service Factor:	--	Bearing - ODE:	6315ZC3

Enclosure is Totally Enclosed Fan-Cooled

Stamped Nameplate Notes:

HTR LDS HE1-HE2 115V 350W
 ROLLER BEARING - FOR BELTED LOAD ONLY

Additional Information:

6P - L EXTN
 2500 CU IN - 2(4.00" NPT)
 B5F4C4 HIGH STRENGTH STEEL AISI 4142 SHAFT MATERIAL
 100 OHM WINDING RTD LEADS TO AUX C/BOX OPP MAIN C/BOX
 SUGGESTED WINDING RTD SETTINGS
 ALARM 165C TRIP 175C
 115V HTR LDS TO AUX BOX OPP MAIN CONDUIT BOX
 SPACE HEATER CAUTION NAMEPLATE
 BEARING RTD 100 OHM ON BOTH ENDS
 SUGGESTED BEARING RTD SETTINGS
 ALARM 115C TRIP 125C
 NEMA TYPE GRD PAD
 F1 MOUNTING
 SHAFT BLOCKING FOR SHIPMENT

Performance Characteristics

1st Winding 1st Connection

Design: 50BD3126F

Marks:

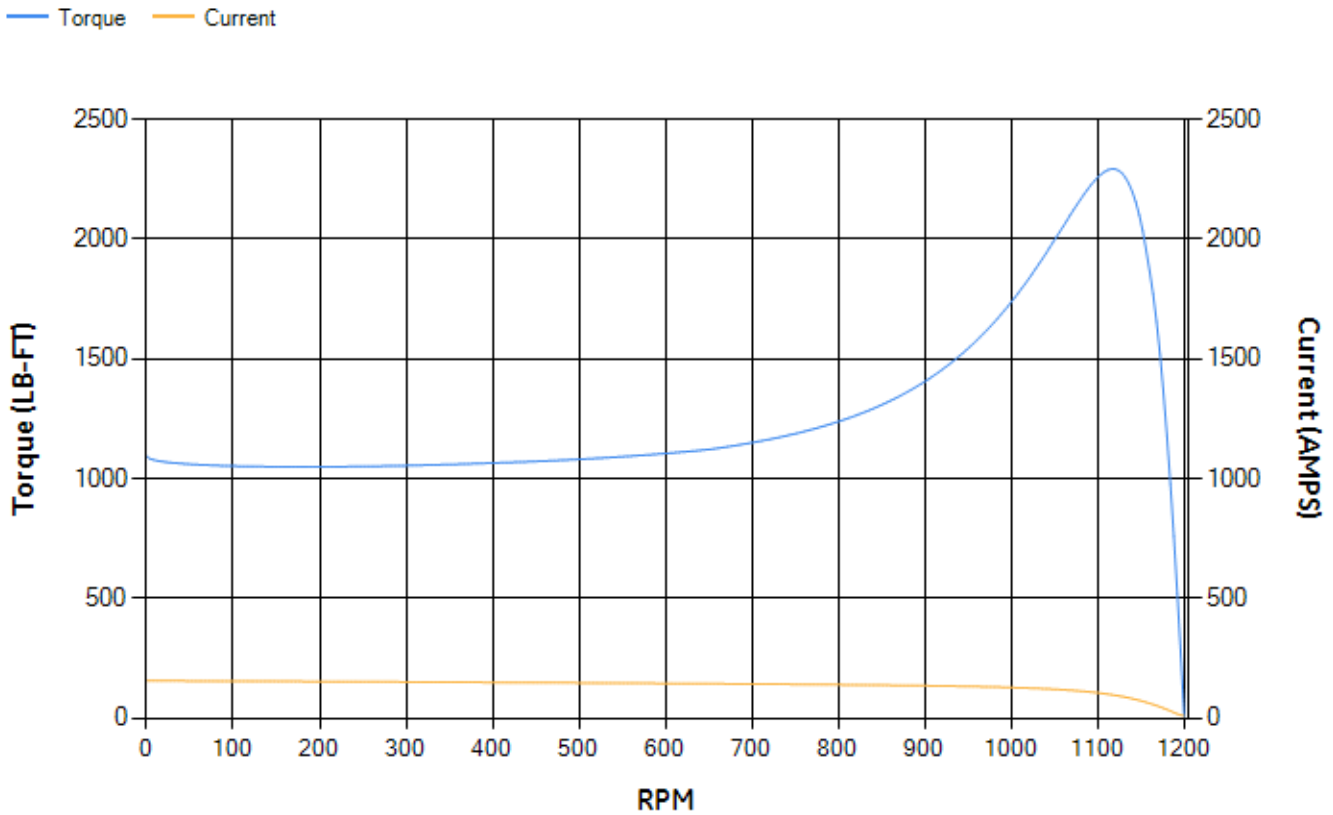
LOAD %	125.0	115.0	100.0	75.0	50.0	25.0	0.0
% EFF	94.42	94.7	95.24	95.37	95.13	92.92	0.00
% PF	85.6	85.38	84.59	81.32	73.03	51.63	3.81
AMPS	33.29	30.62	26.73	20.82	15.49	11.22	9.12

TORQ(FL)#FT	886.12	TORQ(LR)%FL	123.41	TORQ(BD)%FL	258.33
AMPS(LR)	155.37	PF AT START	0.28		

This motor is capable of two cold or one hot start with a maximum connected load inertia of 10488 Lb-Ft Sq (441.54 Kg-meter Sq)at 100% voltage, where the load torque varies with the square of the speed. Acceleration time with maximum inertia and the above load type is 42 seconds. Safe stall time at 100% voltage is 106 seconds cold, 64 seconds hot. Rotor inertia is 164.55 Lb-Ft Sq (6.93 Kg-meter Sq).

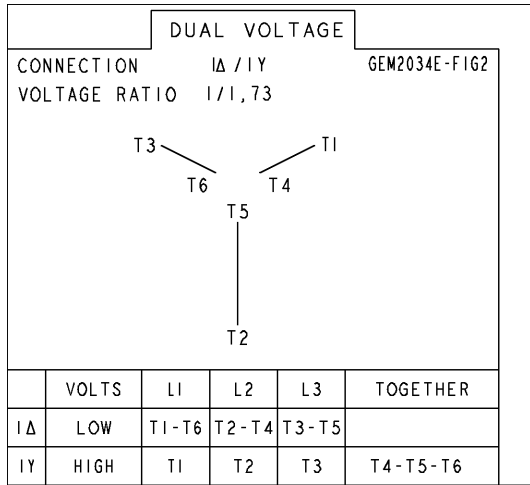
Open Circuit A-C:	0.609	Short Circuit D-C:	0.028
Short Circuit A-C:	0.034	X/R Ratio:	10.735
Stator Slots:	72	Rotor Slots:	58

Speed Torque Current Curve (First Connection, First Speed)



Marks:

Connection Diagram
GEM2034E-FIG2



Heater Connection
3027JE-1C



GE PROPRIETARY INFORMATION

This document is the property of General Electric Company ("GE") and contains proprietary information of GE. This document is loaned on the express condition that neither it nor the information contained herein shall be disclosed to others without the express written consent of GE Industrial Systems, and that the information shall be used by the recipient only as approved expressly by GE Industrial Systems. This document shall be returned to GE upon its request. This document may be subject to certain restrictions under U.S. export control laws and regulations.

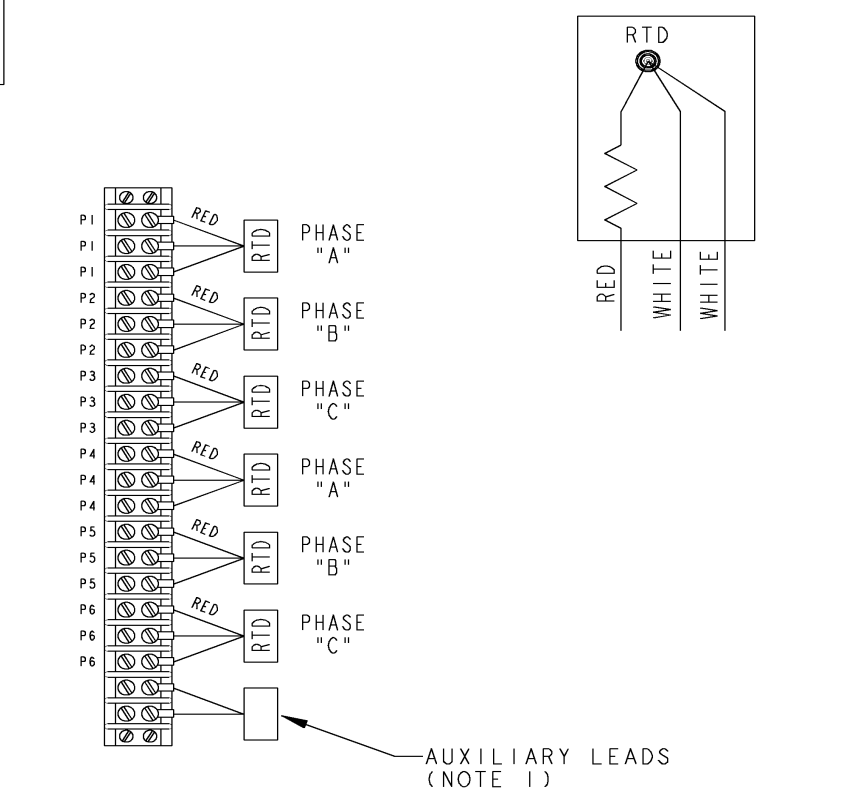
THIRD ANGLE PROJECTION

REVISIONS				
REV.	DESCRIPTION	DATE	APPROVED	
1	ISAAC# 15-0790 HARIKIRAN	07/28/15	DHEERAJ	
2	ISAAC# 16-0422 SAGAR K	05/04/2016	ADINARAYANA	

REV 2

SIZE DRAWING NO. A

235A3027XY



NOTE 1: AUXILIARY LEADS SHOWN MAY OR MAY NOT BE PROVIDED IN MOTOR.
 NOTE 2: SPARE RTDS (P7 & P8) FURNISHED IN CASE OF FAILURE IN OTHER RTDS (P1-P6). PHASE LOCATION WILL DEPEND UPON NUMBER OF POLES WINDING CONFIGURATION.

Part must conform to SI 900000 Sect. 4, Toxicity Procedure

FOR ADDITIONAL INFO REFER TO:	SIGNATURES	DATE
APPLIED PRACTICES	MODEL	
DIMENSIONS ARE IN INCHES	DETAIL VIVEK	06/26/15
TOLERANCE ON:	CHECKED KARTHIK	06/26/15
1 PL DECIMALS ± 0.1	ENGRG	
2 PL DECIMALS ± 0.02	MFG	
3 PL DECIMALS ± 0.005	QUALITY	
ANGLES ± 0.5	ISSUED VIVEK	06/26/15
FRACTIONS ±		
FINISH ✓		
MATERIAL	SOLID MODEL: MODEL NAME	

GE Motors GENERAL ELECTRIC COMPANY

TITLE: **CONNECTION DIAGRAM**
WINDING RTD & AUXILIARY LEADS

SIZE DRAWING: **A** **235A3027XY** REV **2**

SCALE: N.T.S. REF: - 235A4594X SHEET 1 of 1

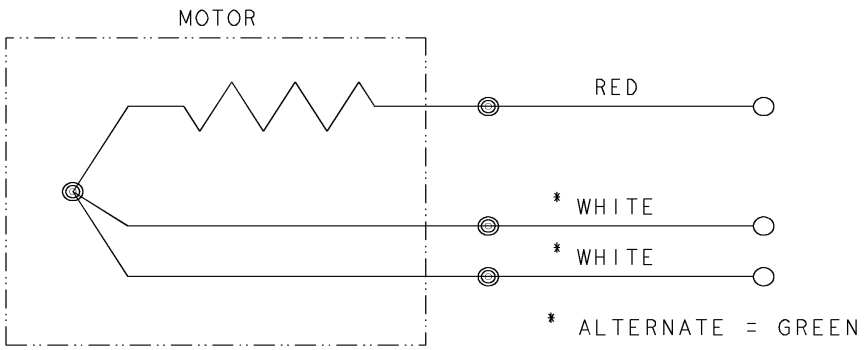


REV SH 1 1	THIRD ANGLE PROJECTION		REVISIONS		
		REV	DESCRIPTION	DATE	APPROVED
		1	ISAAC #12-1124	HARI	11/19/12

SIZE A
 DWG NO 235A3027NA

CONFIDENTIAL AND PROPRIETARY
 This document is the property of General Electric Company and contains proprietary and confidential information of the Motor Business Group (MBG). The document is loaned on the express conditions that neither it nor the information contained therein shall be disclosed to others without the express consent of MBG and that the information shall be used by the recipient only as approved expressly by MBG. Also, the document shall be returned to MBG upon its request.

BEARING RTDS



UNLESS OTHERWISE SPECIFIED	SIGNATURES	DATE
DIMENSIONS ARE IN INCHES	DRAWN D.E. BAIR	12/16/92
TOLERANCES ON:	CHECKED D.E. BAIR	12/16/92
2 PL DECIMALS ±	ENGRG K. DESAI	12/16/92
3 PL DECIMALS ±	ISSUED D.E. BAIR	12/16/92
ANGLES ±		
FRACTIONS ±		
MATERIAL:		
	CAD NO.	F500:235A3027NA
APPLIED PRACTICES:		

GE Motors

Fort Wayne, Indiana

CONNECTION DIAGRAM

BEARING RTDS

SIZE A	FSCM NO	DWG NO 235A3027NA
SCALE 1/1	SHEET 1 OF 1	

DISTR TO