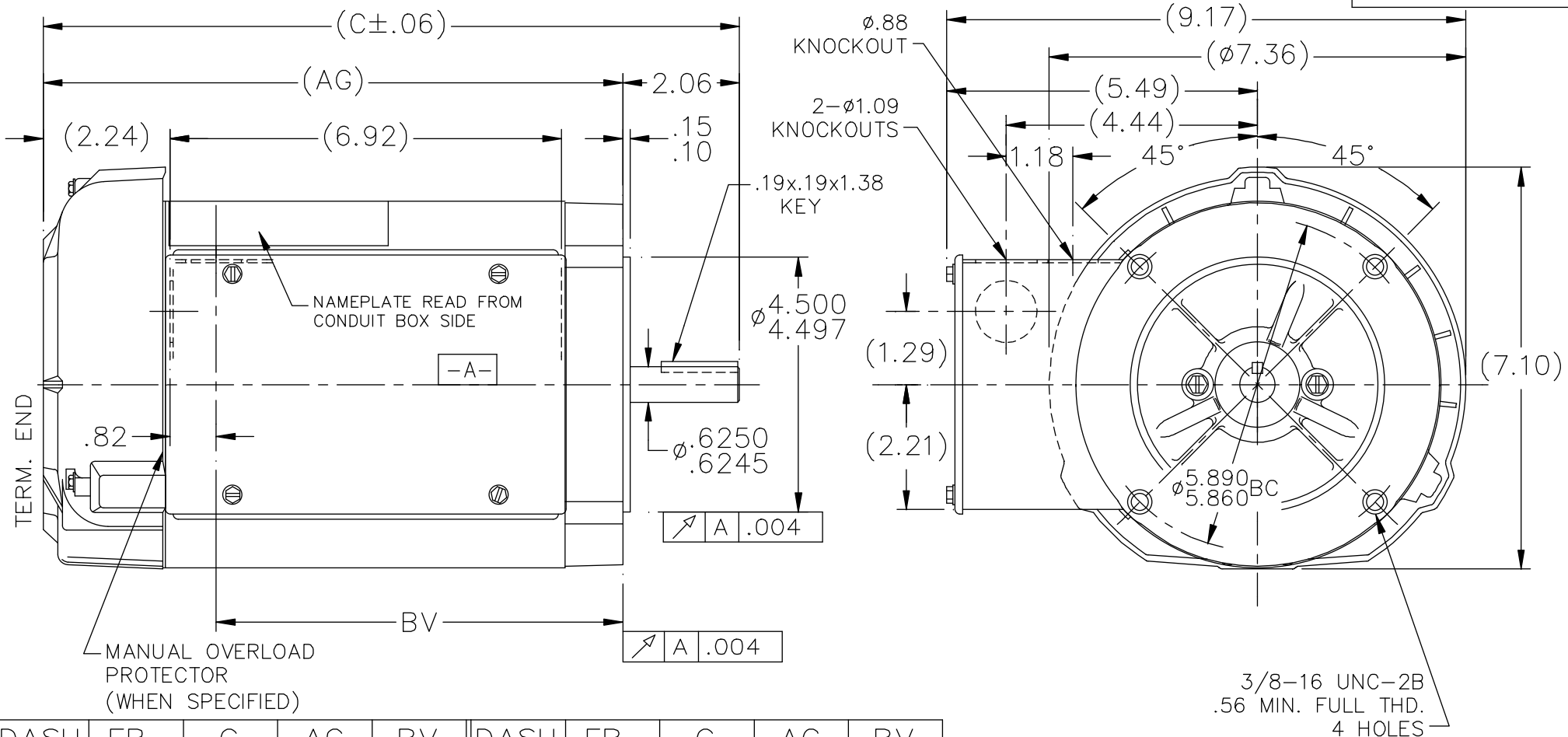


100099



DASH	FR.	C	AG	BV	DASH	FR.	C	AG	BV
					856	56-85	13.82	11.75	8.69
706	56-70	12.32	10.25	7.19	906	56-90	14.32	12.25	9.19
756	56-75	12.82	10.75	7.69	956	56-95	14.82	12.75	9.69
806	56-80	13.32	11.25	8.19					

				TOLERANCES UNLESS SPECIFIED		MARATHON ELECTRIC	DRAWN SMC 03-07-1991			
				DEC.	INCHES		CHK	ML	03-07-1991	
				.X	$\pm .1$	TITLE OUTLINE 56 FR. - BB - TEFC - C'FSCE - 1 ϕ MAT'L. FINISH	APPD	GK	03-08-1991	
				.XX	$\pm .03$		SCALE	3=8		
5	REISSUED, ADDED PROTECTOR NOTE			RM	08-04-1993		REF			
4	REDRAWN ON CADD			SMC	03-07-1991		FMF			
NO.	REVISION			CHK	ANG	FINISH <td>PREV</td> <td colspan="3"></td>	PREV			
THIS DRAWING IN DESIGN AND DETAIL IS OUR PROPERTY AND MUST NOT BE USED EXCEPT IN CONNECTION WITH OUR WORK ALL RIGHTS OF DESIGN AND INVENTION ARE RESERVED THIS IS AN ELECTRONICALLY GENERATED DOCUMENT - DO NOT SCALE THIS PRINT				RFP		CAD FILE 100099	SIZE	DRAWING NO.	PAGE OF	REV.
				DIST	WP		A	100099		5