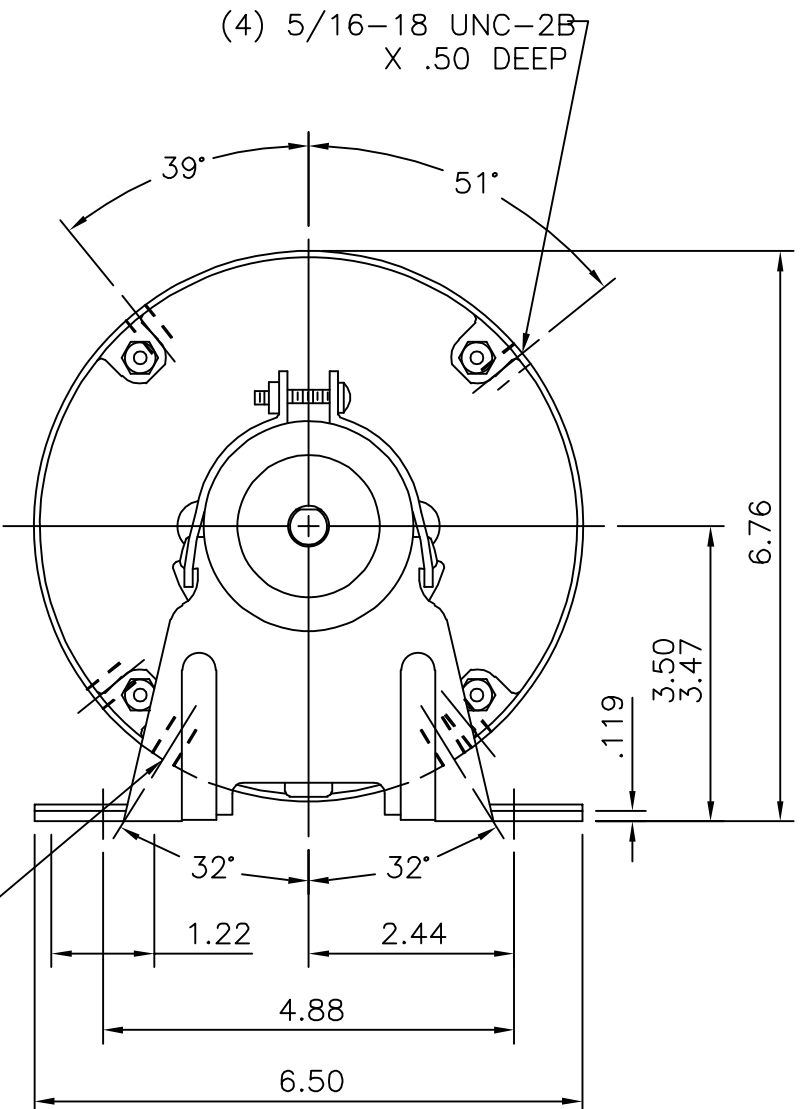
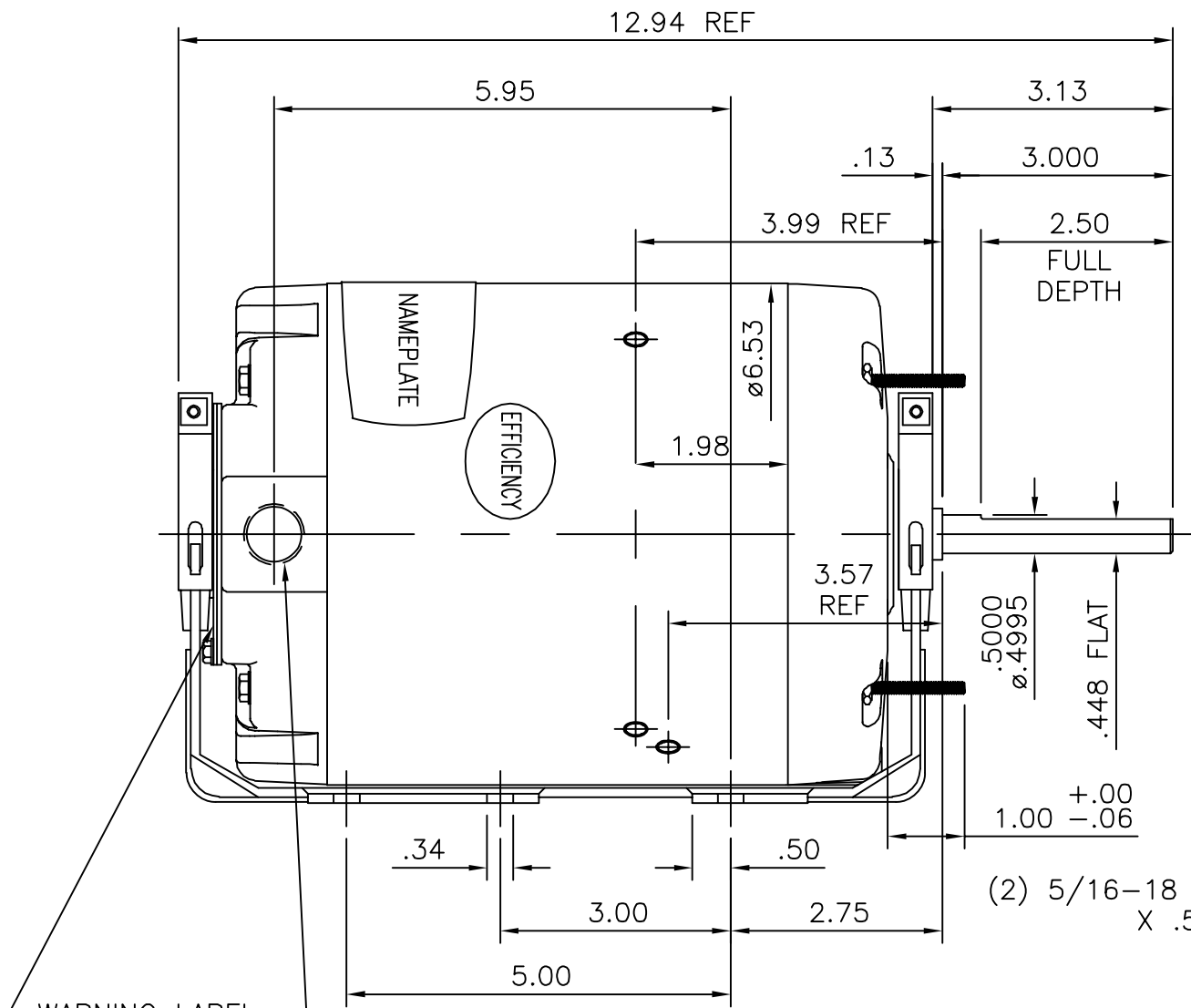


028762



WARNING LABEL ON OUTSIDE OF BICB COVER

(1) 1/2-14 NPT (PLUGGED)

(2) 5/16-18 UNC-2B X .50 DEEP

(4) 5/16-18 UNC-2B X .50 DEEP

DASH NO.	"C" "AD"	
	"C"	"AD"
600	12.94	5.95
650	13.44	6.45
700	13.94	6.95
750	14.44	7.45

GASKETS THROUGHOUT  
NOTE: BASE SHIPPED SEPARATE

		TOLERANCES UNLESS SPECIFIED		ELECTRIC MOTORS GEARMOTORS AND DRIVES		DRAWN RDW 9/23/06			
		DEC.	INCHES			CHK			
		.X	±.1	TITLE OUTLINE - 56HY FRAME TENV - RESILIENT		APPD KH 9/23/06			
		.XX	±.03			SCALE 3=8			
		.XXX	±.005			REF 032910			
01	MOVED WARNING LABEL TO BICB PER ECR-0058827	ARV	05/22/14			SK	.XXXX	±.0005	MAT'L. FMF
NO.	REVISION	BY & DATE	CHK	ANG	±1/2'	FINISH	PREV		
			RFP	9/23/06		CAD FILE 028762	SIZE A	DRAWING NO. 028762	REV. 01
			DIST BRF-NLV						

THIS DRAWING IN DESIGN AND DETAIL IS OUR PROPERTY AND MUST NOT BE USED EXCEPT IN CONNECTION WITH OUR WORK ALL RIGHTS OF DESIGN AND INVENTION ARE RESERVED THIS IS AN ELECTRONICALLY GENERATED DOCUMENT - DO NOT SCALE THIS PRINT