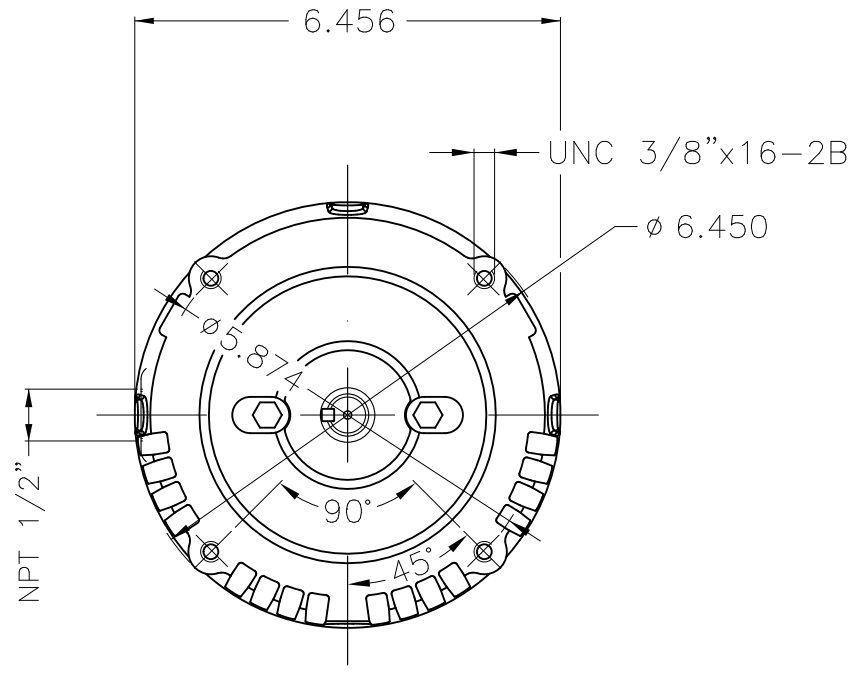
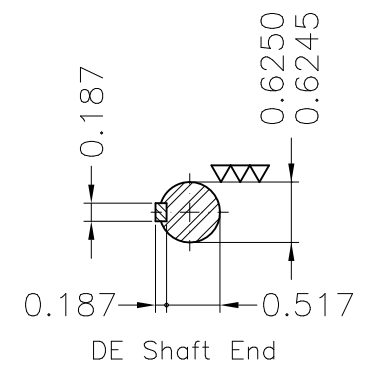
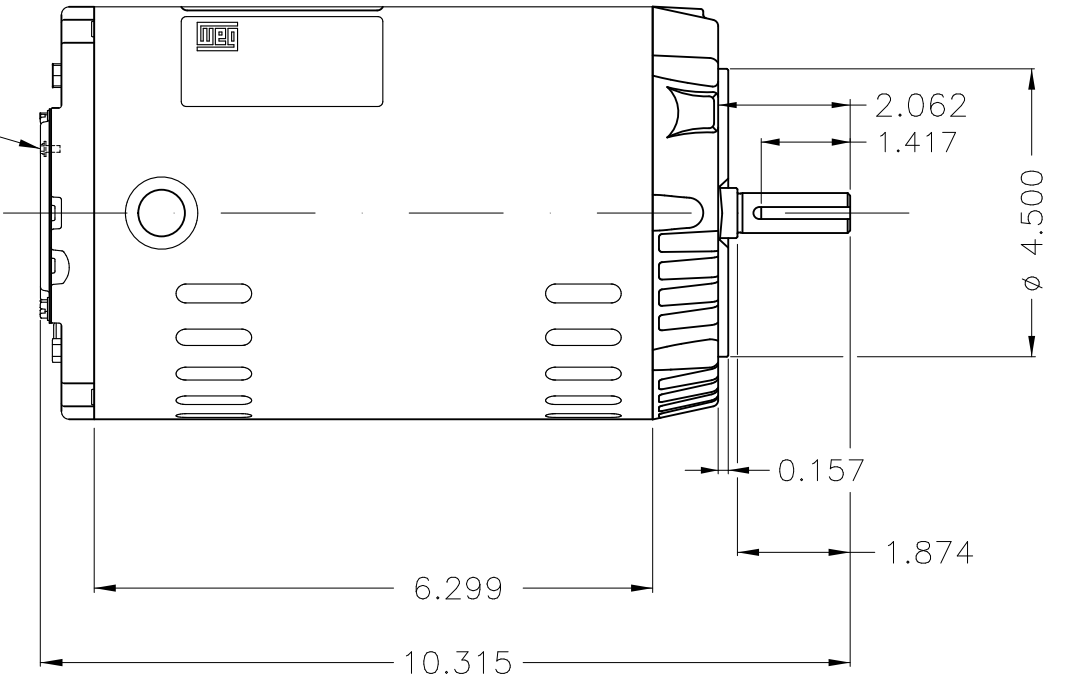



Dimensões em polegada
Dimensions in inches

THIS IS AN UPDATED REVISION, THE
PREVIOUS ONE MUST BE DISREGARDED.



Grounding



Without coating		Mounting F-1/B14R(D)									
ECM	LOC	SUMMARY OF MODIFICATIONS				EXECUTED	CHECKED	RELEASED	DATE	VER	
EXECUTED	USERADMIN	THREE PHASE ODP ROLLED STEEL PREM. EFF.									
CHECKED		FRAME 56C ODP									
RELEASED		WEG code: 12809010									
REL DT	24.07.2017	WMO	Jaragua do Sul	Product Engineering	SHEET	1 / 1					

0.33 HP 04 Poles 60Hz

A