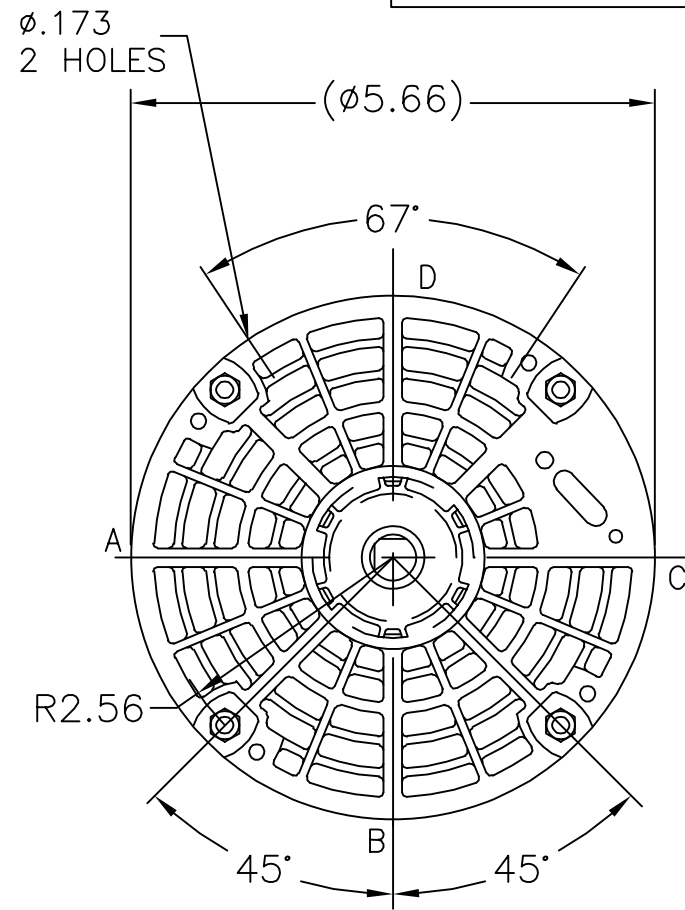
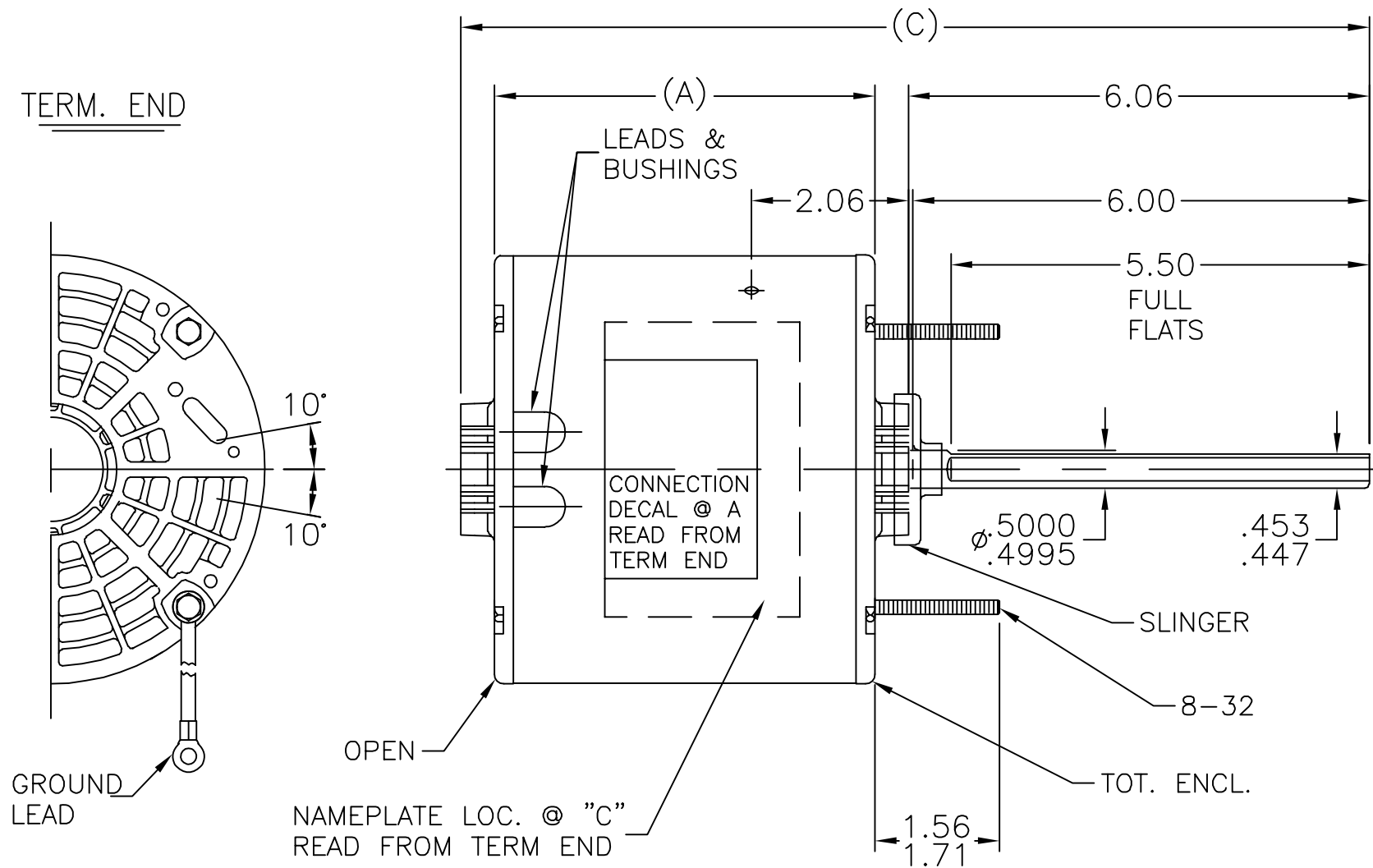
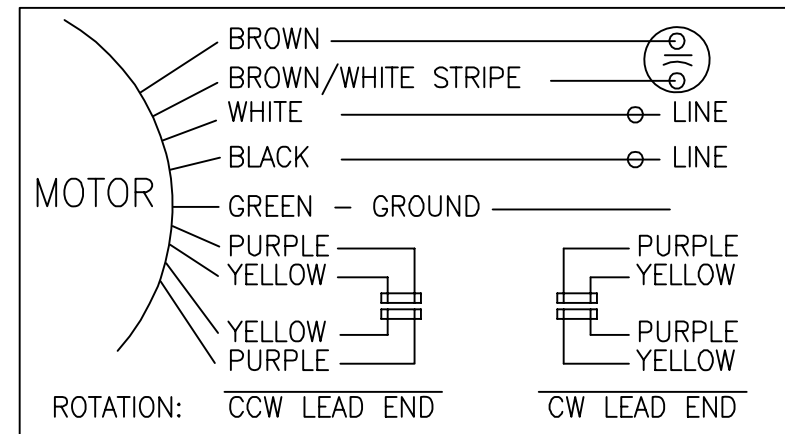


SS74113



DASH	FR	C	A
375	48Y	11.19	4.25
400	48Y	11.44	4.50
425	48Y	11.69	4.75
450	48Y	11.94	5.00
475	48Y	12.19	5.25
500	48Y	12.44	5.50

LEAD DESCRIPTION:
 1 BLACK, AND 1 WHITE LEAD WITH .50 BARE WIRE STRIP 30.00" LONG.
 2 BROWN CAPACITOR LEADS WITH .25 FLAG-TYPE QUICK CONNECTS 30.00" LONG BROWN WITH WHITE MARK IS COMMON TO WHITE LEAD.
 REVERSING LEADS ARE MOLDED INTO MATING PULL APART PLUGS 1 1 PURPLE, AND 1 YELLOW PER PLUG 5.00" LONG.
 GROUND LEAD WITH TERM. FOR #10 SCREW 12.00" LONG.



NO.	REVISION	BY & DATE	CHK	TOLERANCES UNLESS SPECIFIED		MARATHON ELECTRIC	DRAWN BLR 09-14-1995
				DEC.	INCHES		
				.X	±.1		APPD GK 09-28-1995
5	UPDATED DRAWING	TJW 04/09/2007		.XX	±.03	TITLE OUTLINE	SCALE 3=8
4	REDRAWN IN AUTOCAD	TAT 07-22-2004	ML	.XXX	±.005		REF
3	REDRAWN AND REVISED LEAD LENGTHS CN 21148	BLR 09-28-1995		.XXXX	±.0005	MAT'L.	FMF
				ANG	±7'30"	FINISH	PREV
THIS DRAWING IN DESIGN AND DETAIL IS OUR PROPERTY AND MUST NOT BE USED EXCEPT IN CONNECTION WITH OUR WORK ALL RIGHTS OF DESIGN AND INVENTION ARE RESERVED THIS IS AN ELECTRONICALLY GENERATED DOCUMENT - DO NOT SCALE THIS PRINT				RFP		CAD FILE ss74113	SIZE A
				DIST WP			DRAWING NO. SS74113
							PAGE OF 5
							REV. 5