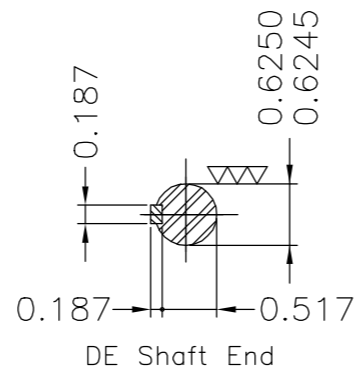
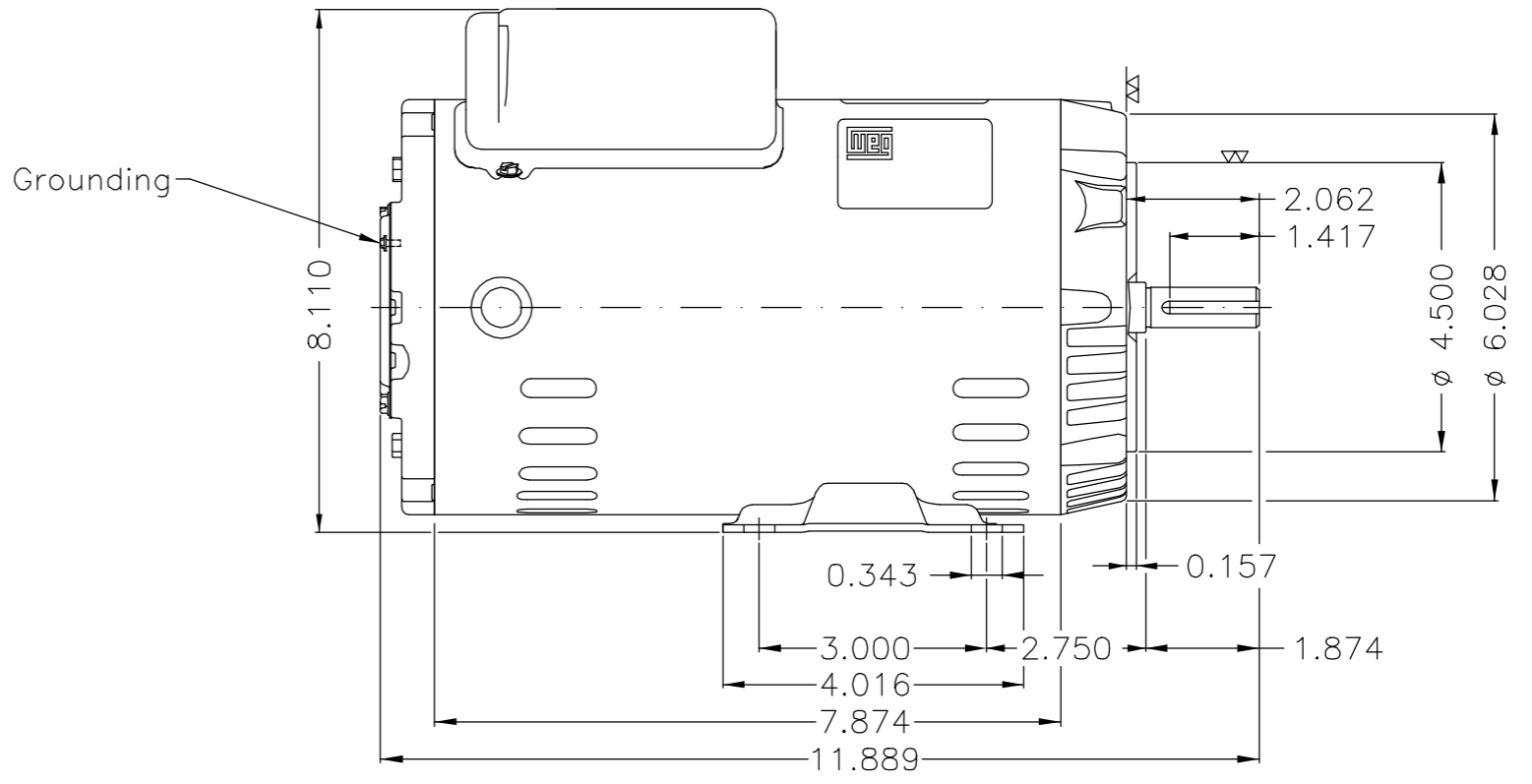
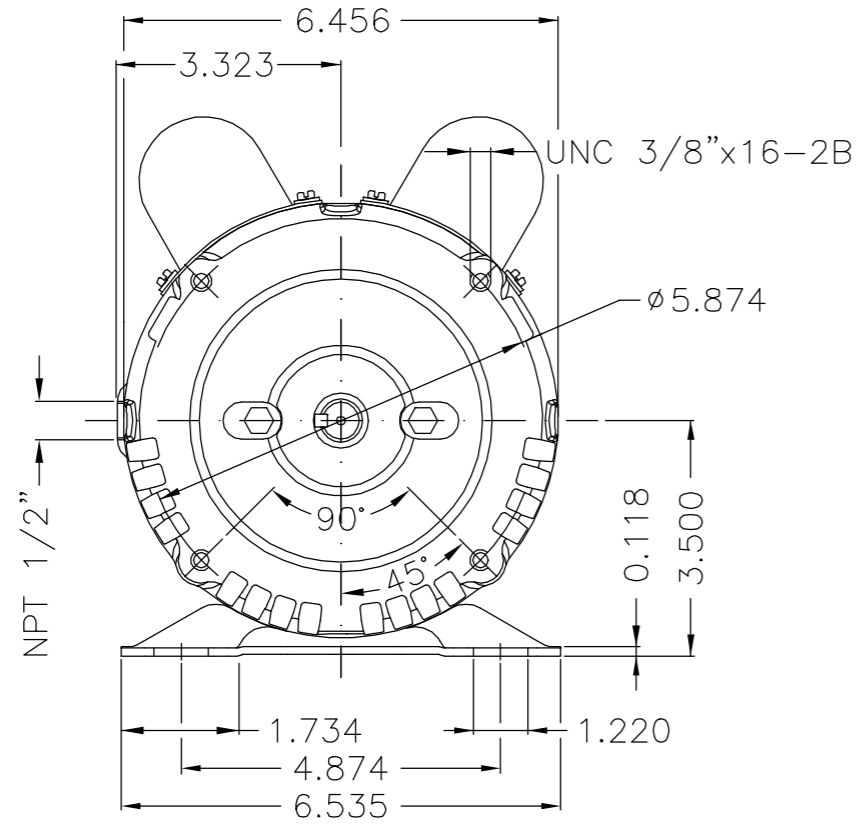


EIXO/SHAFT	
PADRÃO/STANDARD	X
OPCIONAL/OPTIONAL	
ESPECIAL/SPECIAL	

THIS IS AN UPDATED REVISION, THE PREVIOUS ONE MUST BE DISREGARDED.

A
B
C
D
E



Categoria N / Design N						
Forma construtiva B34D / Mounting F-1/B34R(D)						
WEG ELECTRIC CORP.						
500001028139		CORRIGIDO SIMBOLO TAMPA DIANT.	PATRICKL	GABRIELID	23.04.2015	01
500001022252		DOCUMENTO NOVO	PATRICKL	EMERSONRH	08.04.2015	00
ECM	LOC	SUMMARY OF MODIFICATIONS	EXECUTED	CHECKED	RELEASED	DATE VER
EXECUTED	PATRICKL	SINGLE PHASE ODP ROLLED STEEL PREM. EFF. FRAME 56C IP21				
CHECKED						
RELEASED	EMERSONRH					
REL DT	08.04.2015	WMO	JARAGUA DO SUL	ENGENHARIA DE PRODUTO	10003495253 000 01 SHEET 1 / 1	

0.75 HP 04 Poles 60Hz 413810649

A



UNCONTROLLED COPY RELEASED ZME A3