

Product Information Packet

November 7, 2016

Data shown is for the current revision model #. Ensure your nameplate model # matches.

Model Number:	5KS404ATE204A
Catalog Number:	E7340
Instruction Manual:	GEI-M1023
Connection Diagram:	GEM-M1013
Outline Drawing:	358B6203AA

Accessory Connection Diagrams			
Bearing Thermocouple:	None	Heater:	None
RTD:	None	Thermistor:	None
Thermostat:	None	Winding Thermocouple:	None
Bearing RTD:	None		

Table of Contents	
Specification	01
Performance Characteristics	02
Outline Drawing	03
Connection Drawing(s)	04

Marks:

MODEL NUMBER:	5KS404ATE204A	Estimated Weight:	1150 Lbs
Outline Drawing:	358B6203AA	Time Rating:	CONT
Connection Diagram:	GEM-M1013	Enclosure:	DP
Instruction Book:	GEI-M1023	Encl Construction:	OPEN
Design Code:	40AD1006B	Ambient Max(°C):	40
Type:	KS	Alt Ambient Max(°C):	--
Frame:	404T	Insulation Class:	F
Phases:	3	NEMA Design:	B
Poles:	4	Nominal Efficiency:	95.4 %
Output Power:	100HP 74KW	Guaranteed Efficiency:	94.5
RPM:	1785	3/4 Load Efficiency:	96.0
Voltage:	575	KVA Code:	G
Hertz:	60	Max KVAR:	22.7
Amps - FL:	89.2	Power Factor:	86.5
Service Factor:	1.15	Bearing - DE:	6317
Alt Service Factor:	--	Bearing - ODE:	6313

Enclosure is Dripproof

Stamped Nameplate Notes:**Additional Information:**

4 POLE DRIP PROOF
 CONDUIT BOX MATERIAL: STAMPED STEEL
 CONDUIT BOX VOL: 1240 CU IN
 NO. OF MOTOR LEADS: 6
 NOT USEABLE AT 200 VOLTS
 GREASE TYPE: CHEVRON SRI-2 POLYUREA
 SOUND POWER DATA: 82.2
 INVERTER DUTY PER NEMA MG1 PART 31
 FOR VARIABLE TORQUE LOADS

Performance Characteristics

1st Winding 1st Connection

Design: 40AD1006B

Marks:

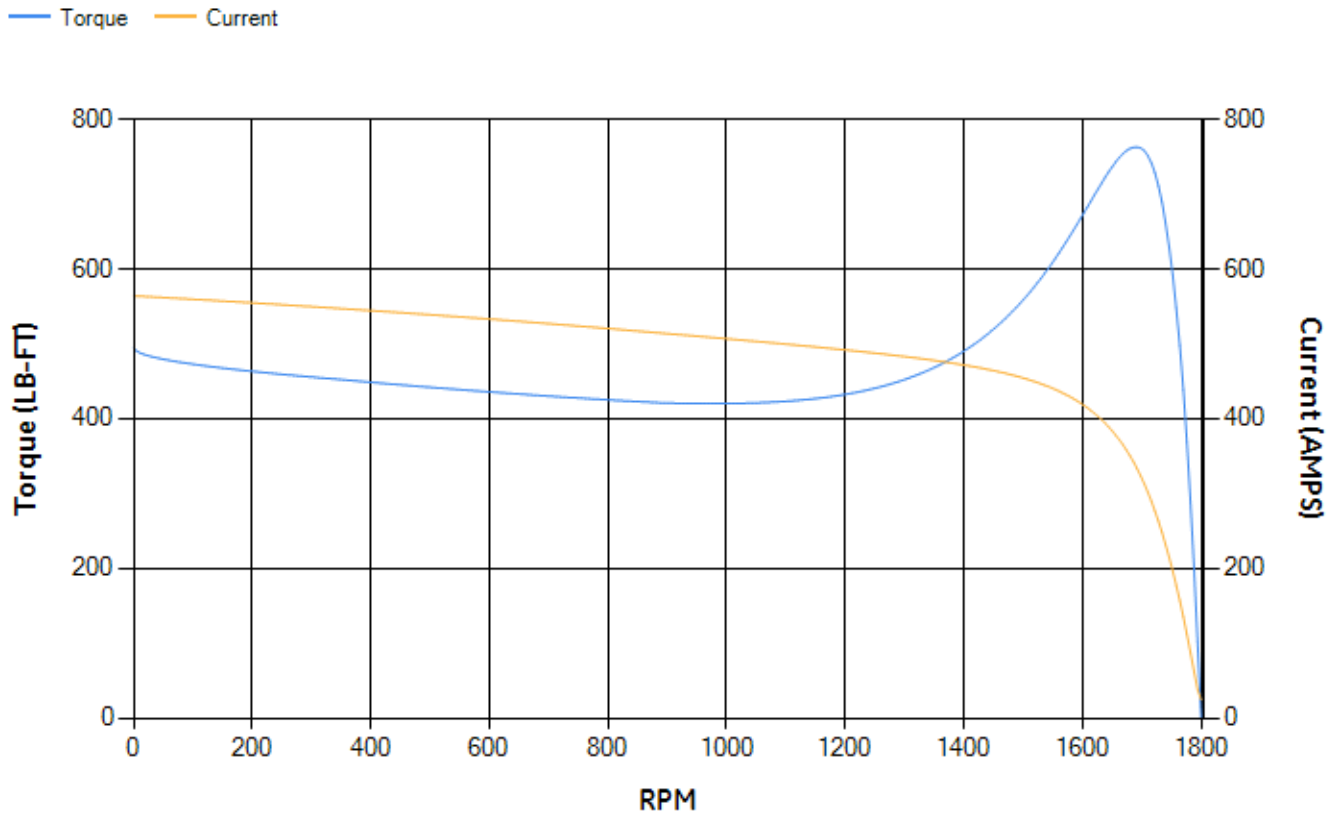
LOAD %	125.0	115.0	100.0	75.0	50.0	25.0	0.0
% EFF	95.14	95.38	95.88	95.98	95.79	93.88	0.00
% PF	88.33	88.42	88.2	86.34	80.42	61.41	4.28
AMPS	111.38	102.1	88.54	67.77	48.6	32.47	24.18

TORQ(FL)#FT	294.58	TORQ(LR)%FL	168.02	TORQ(BD)%FL	258.45
AMPS(LR)	564.08	PF AT START	0.32		

This motor is capable of two cold or one hot start with a maximum connected load inertia of 2468 Lb-Ft Sq (103.9 Kg-meter Sq)at 100% voltage, where the load torque varies with the square of the speed. Acceleration time with maximum inertia and the above load type is 38 seconds. Safe stall time at 100% voltage is 65 seconds cold, 48 seconds hot. Rotor inertia is 22.37 Lb-Ft Sq (0.94 Kg-meter Sq).

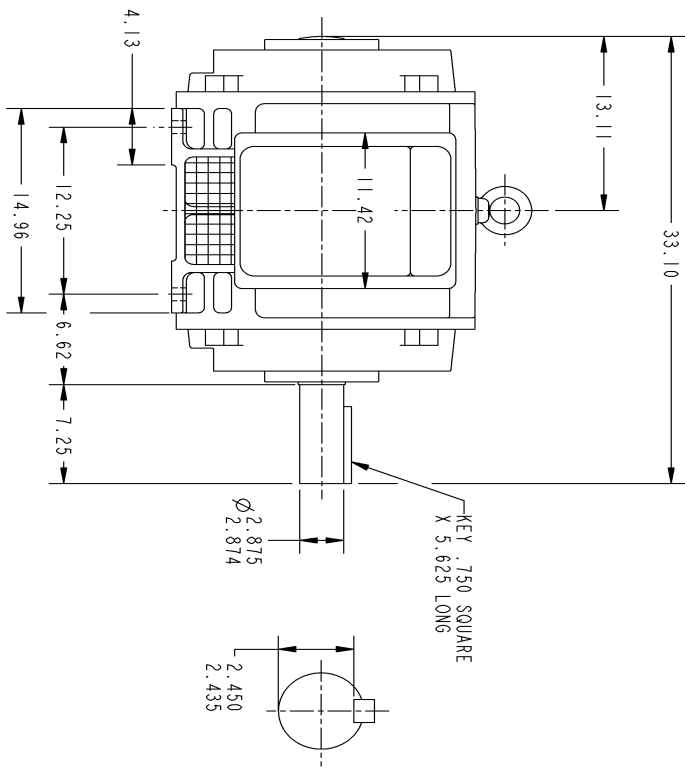
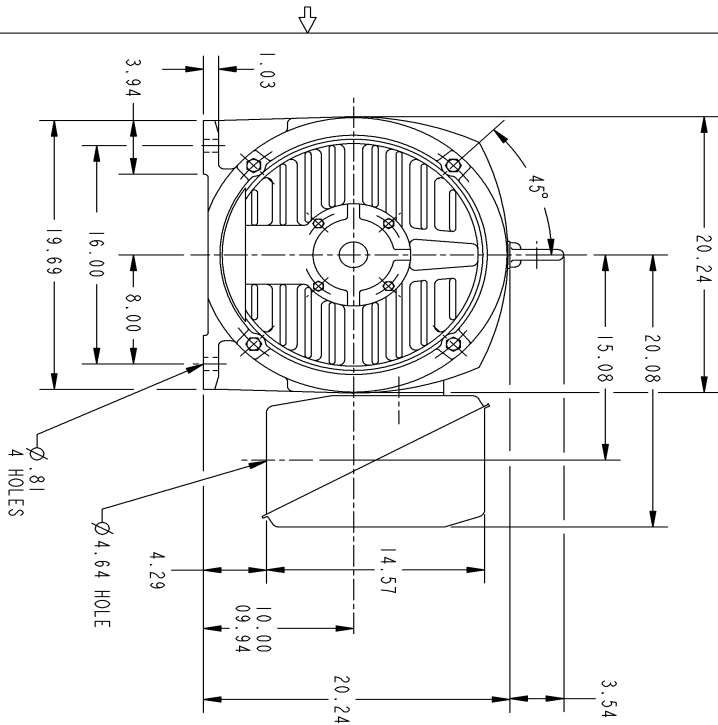
Open Circuit A-C:	0.982	Short Circuit D-C:	0.029
Short Circuit A-C:	0.039	X/R Ratio:	10.942
Stator Slots:	60	Rotor Slots:	50

Speed Torque Current Curve (First Connection, First Speed)



NAME:500903578 OBJECT:358B6203AA DATE:04-May-07 10:52:23

Marks:

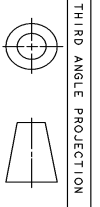


GE PROPRIETARY AND CONFIDENTIAL INFORMATION		REVISIONS	
REV.	DESCRIPTION	DATE	APPROVED
1	ISAAC 07-0770	05/02/07	R. KOHNE

This document is the property of General Electric Company (GE) and contains proprietary information of GE. This document is loaned on the express condition that neither it nor the information contained therein shall be disclosed to any other person or organization without the express approval of GE. This information shall be used only for the specific project or system for which it was prepared. This document shall be returned to GE upon its request. This document is not to be copied, reproduced, or distributed without the express approval of GE. GE reserves the right to modify this document without notice.

NOTES :

1. CONDUIT BOX MAY BE PLACED WITH THE ENTRANCE DOWN, UP OR ON EITHER SIDE.
2. F-1 ASW AS SHOWN.
3. F-2 ASW - HAS CONDUIT BOX ON OPPOSITE SIDE.



FOR ADDITIONAL INFO REFER TO:	SIGNATURES	DATE
APPLIED FINISHES	MODEL	
DIMENSIONS ARE IN INCHES	REVIEW	
TOLERANCE ON:	DESIGNED	
1 PL DECIMALS ± .	ENGINEER	
2 PL DECIMALS ± .	QUALITY	
3 PL DECIMALS ± .	ISSUED	
ANGLES ± .		
FRACTIONS ± .		
FINISH		

GE Industrial Systems GENERAL ELECTRIC COMPANY

OUTLINE 404T - CAST IRON ODP FOOTED

358B6203AA

SCALE: DRAWING SCALE SHEET 1 of 1

Marks:

Connection Diagram GEM-M1013

