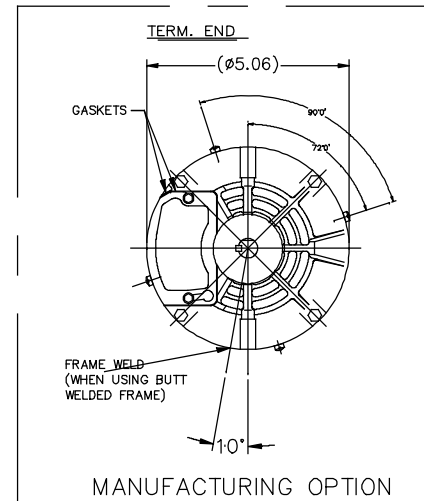
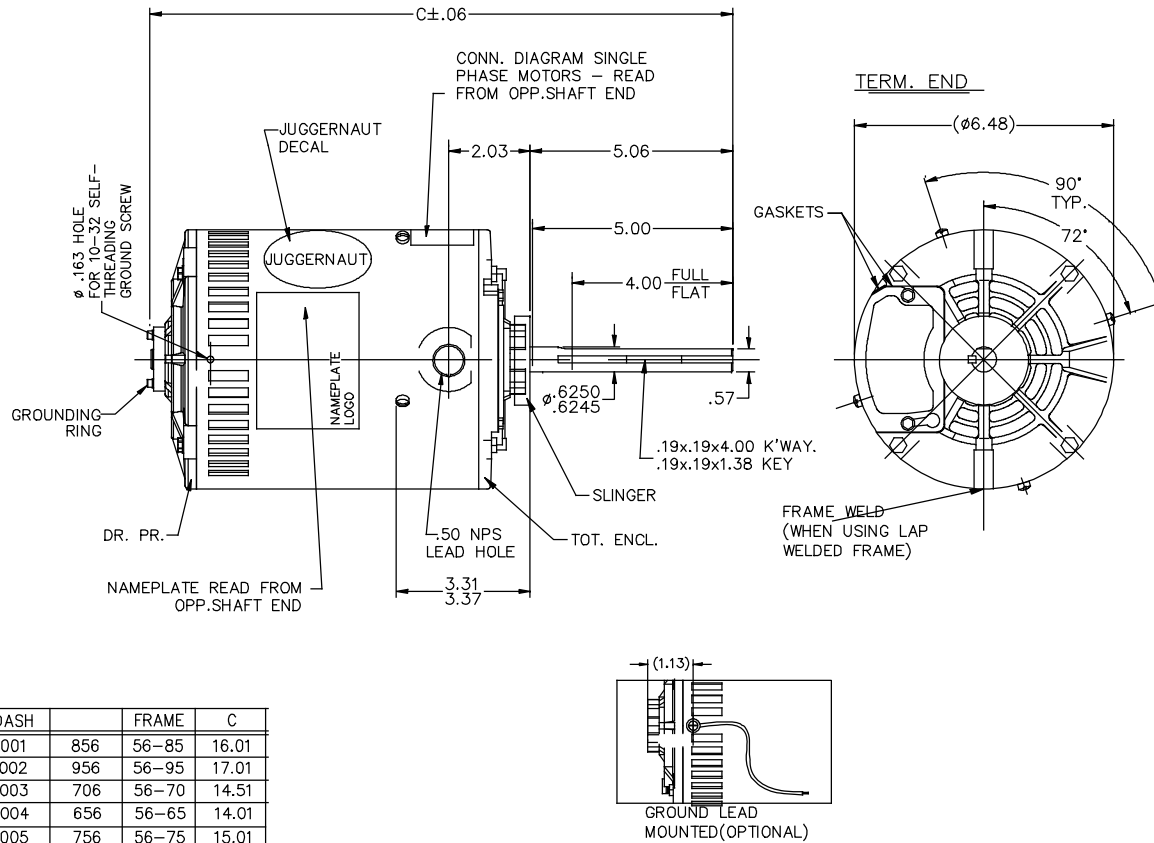


607-0314



DASH	FRAME	C
001	856 56-85	16.01
002	956 56-95	17.01
003	706 56-70	14.51
004	656 56-65	14.01
005	756 56-75	15.01

NO.		REVISION	BY & DATE	CHK	ANG	FINISH	PREV	
F		ADDED DECAL JUGGERNAUT	LST 10/25/2018	.XXXX	$\pm .0005$	MAT'L.	FMF	
THIS DRAWING IN DESIGN AND DETAIL IS OUR PROPERTY AND MUST NOT BE USED EXCEPT IN CONNECTION WITH OUR WORK ALL RIGHTS OF DESIGN AND INVENTION ARE RESERVED THIS IS AN ELECTRONICALLY GENERATED DOCUMENT - DO NOT SCALE THIS PRINT				RFP		CAD FILE 607-0314	SIZE A	
				DIST	WP		DRAWING NO. 607-0314	
							PAGE 8	OF 8
							REV. F	



TITLE OUTLINE

DRAWN EL 8/21/2017  
 CHK  
 APPD  
 SCALE 3=8  
 REF  
 FMF  
 PREV