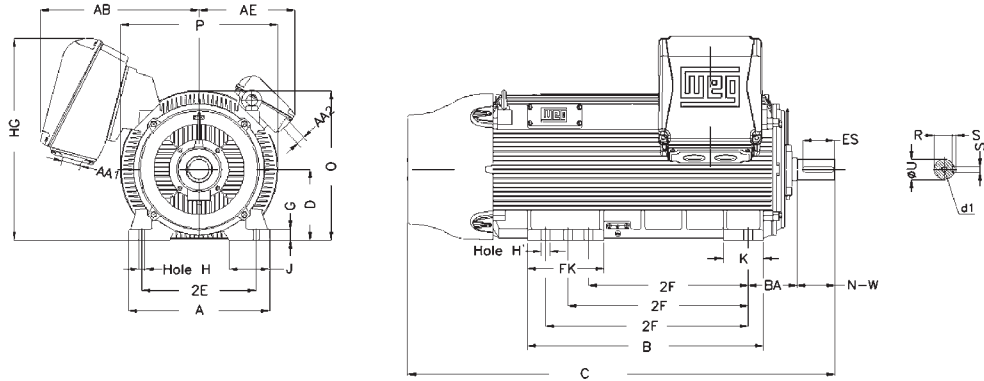


HGF Low Voltage Motors

TEFC - Mechanical Data

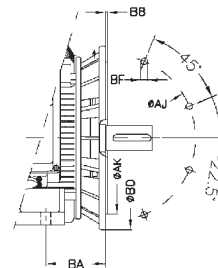
Frame 5006/7/8T to 6809/10/11T



Frame	2E	J	A	P	AB**	AE	2F	K	FK	B	BA	Shaft Extension				
												U	N-W	ES	S	R
5006/7/8T (TS*)	20.000	7.087	24.725	26.575	27.756	15.945	20.000	7.087	10.237	30.315	8.500	2.375*	4,75*	4,33*	0,625*	2,021*
							22.000					3.625	10,625	9,055	0,875	3,134
							25.000					2.375*	4,75*	4,33*	0,625*	2,021*
5009/10/11T (TS*)	23.000	9.055	29.528	30.118	28.937	16.929	28.000	7.874	14.961	39.370	10.000	3.625	10,625	9,055	0,875	3,134
							32.000					2.375*	4,75*	4,33*	0,625*	2,021*
							36.000					3.625	10,625	9,055	0,875	3,134
5807/8/9T (TS*)	23.000	9.055	29.528	30.118	28.937	16.929	25.000	7.874	14.961	51.181	10.000	2.375*	4,75*	4,33*	0,625*	2,021*
							28.000					3.875	11,625	9,842	1,000	3,309
							32.000					2.375*	4,75*	4,33*	0,625*	2,021*
5810/11/12T (TS*)	27.000	8.583	33.071	34.449	30.512	18.504	36.000	8.661	14.173	42.126	11.500	2.375*	4,75*	4,33*	0,625*	2,021*
							40.000					4.375	11,625	9,842	1,000	3,817
							45.000					2.750*	5,75*	4,33*	0,625*	2,402*
6806/7/8T (TS*)	27.000	8.583	33.071	34.449	30.512	18.504	28.000	8.661	14.173	42.126	11.500	2.750*	5,75*	4,33*	0,625*	2,402*
							32.000					4.375	11,625	9,842	1,000	3,817
							36.000					2.750*	5,75*	4,33*	0,625*	2,402*
6809/10/11T (TS*)	27.000	8.583	33.071	34.449	30.512	18.504	40.000	8.661	16.338	56.102	11.500	2.750*	5,75*	4,33*	0,625*	2,402*
							45.000					4.375	11,625	9,842	1,000	3,817
							50.000					4.375	11,625	9,842	1,000	3,817

Frame	D	G	O	HG**	H	H'	C	d1	AA1	AA2	Bearings			
											HGF Standard		HGF API 541	
											D.E.	N.D.E.	D.E.	N.D.E.
5006/7/8T	12.500	1.968	25.886	34.941	1.181	1.575	61.049	UNC 3/4"	2xNPT3"	3xNPT3/4"	6314	6314	6314	6314
5006/7/8T											6320	6316	6320	6320
5009/10/11T											6314	6314	6314	6314
5009/10/11T	14.500	2.492	29.657	37.925	1.181	1.968	78.735	UNC 7/8"	2xNPT3"	3xNPT3/4"	6320	6316	6320	6320
5807/8/9T											6314	6314	6314	6314
5807/8/9T											6322	6320	6322	6322
5810/11/12T	17.000	3.220	34.323	42.000	1.417	2.205	80.931	UNC 3/4"	2xNPT3"	3xNPT3/4"	6314	6314	6314	6314
5810/11/12T											6322	6320	6322	6322
6806/7/8T											6315	6315	6315	6315
6806/7/8T	17.000	3.220	34.323	42.000	1.417	2.205	83.589	UNC 3/4"	2xNPT3"	3xNPT3/4"	NU224	6320	6324	6324
6809/10/11T											6315	6315	6315	6315
6809/10/11T											6315	6315	6315	6315

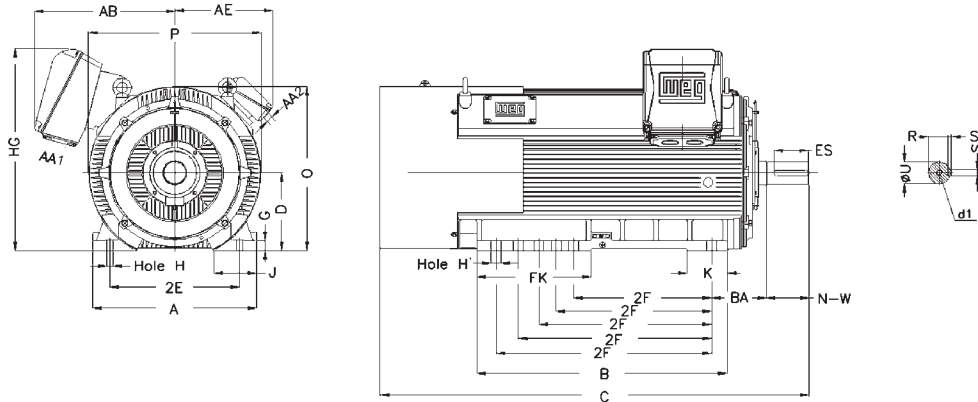
Frame	Flange Dimensions							
	Flange	BA	ØAJ	ØAK	ØBD	ØBF	BB	No. Holes
5006/7/8T	D 558	8.5	22.000	18.000	24.000	1.000	0.250	8
5009/10/11T								
5807/8/9T	D 762	10.000	30.000	28.000	32.000	1.000	0.250	8
5810/11/12T								
6806/7/8T	D 895	11.500	35.250	33.250	37.250	1.000	0.250	8
6809/10/11T								



HGF Low Voltage Motors

TEFC - Mechanical Data

Frame 7006/10T



Frame	2E	J	A	P	AB**	AE	2F	K	FK	B	BA	Shaft Extension				
												U	N-W	ES	S	R
7006/10	30	9.961	37.402	39.370	32.087	21.260	32.000	9.134	26.063	57.087	12.402	3,375*	6,75*	5,512*	0,875*	2,88*
							36.000					5.125	11.625	9.842	1.250	4.423
							40.000									
							45.000									
							50.000									

Frame	D	G	O	HG**	H	H'	C	d1	AA1	AA2	Bearings			
											HGF Standard		HGF API 541	
											D.E.	N.D.E.	D.E.	N.D.E.
7006/10	17.5	2.165	37.185	45.256	1.417	2.205	104,585	UNC7/8*	2XNPT3"	3XNPT3/4	6220	6220	6220	6220
							99,617	UNC1 1/4			6328	6324	6328	6328

Frame	Flange Dimensions							
	Flange	BA	ØAJ	ØAK	ØBD	ØBF	BB	No. Holes
7006/10	FF 1080	12.402	42.520	39.370	45.275	1.102	0.236	8

