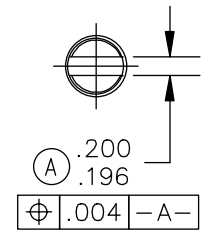
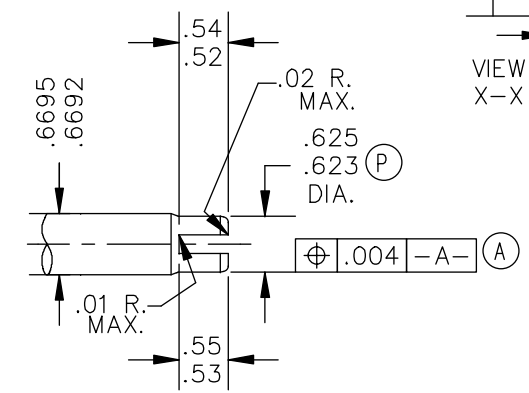
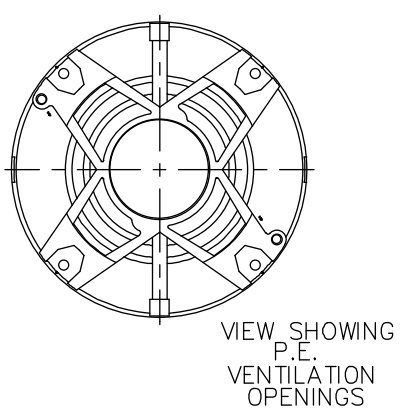
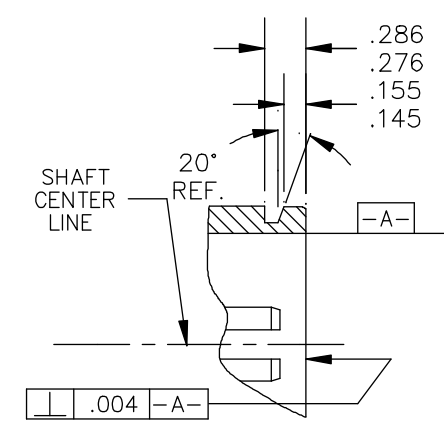
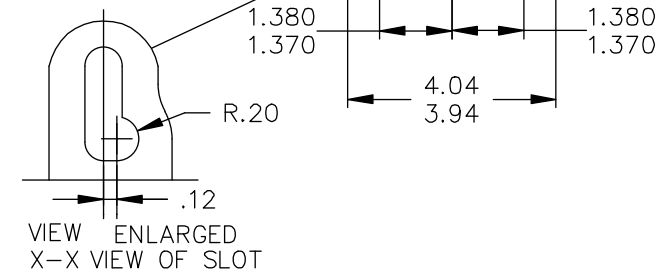
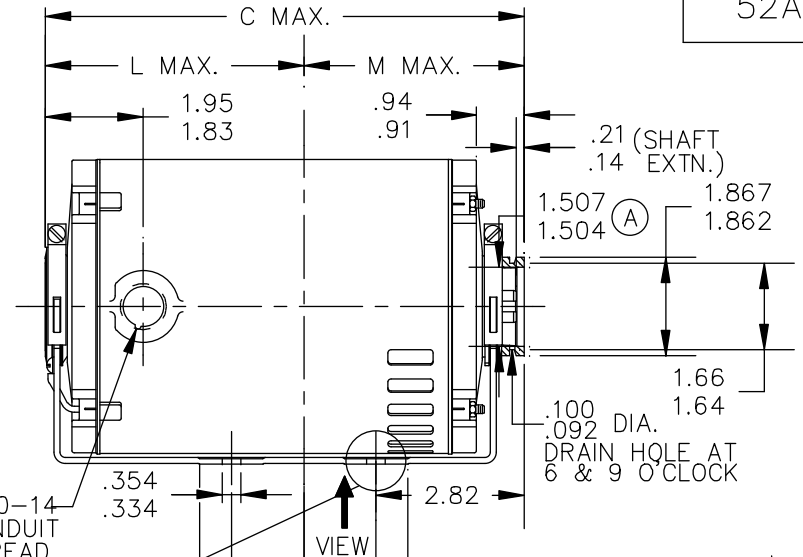
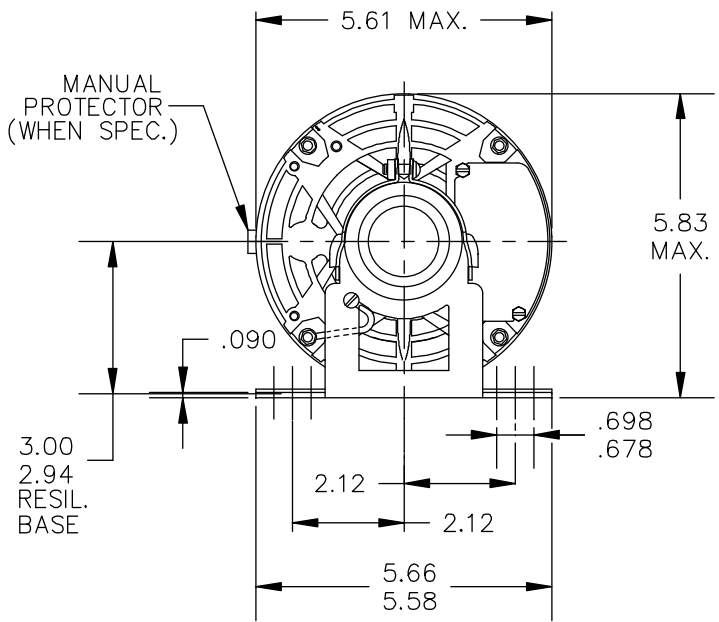


52A113159

CONTROL SURFACES & DIMENSIONS  
 (P) PROC.  
 (E) ENG.  
 (A) APPL.  
 (R) REG.



1	KH	32	48Y	7.69	3.55	4.28
P	TYPE	RBC SIZE	NEMA FR	C	L	M

				TOLERANCES UNLESS SPECIFIED			DRAWN PVR 10/17/13			
				DEC.	INCHES		CHK PKG 10/17/13			
				.X	±0.1		APPD			
				.XX	±0.02		SCALE 1=1			
01	CHANGED CONCENTRICITY TO POSITION ON GD&T	UD	10/23/13	PKG	.XXX	±0.005		REF		
	SPEAL PER CUST REQ.				.XXXX	±0.0005		FMF		
NO.	REVISION	BY & DATE	CHK	ANG	±1.0		PREV			
THIS DRAWING IN DESIGN AND DETAIL IS OUR PROPERTY AND MUST NOT BE USED EXCEPT IN CONNECTION WITH OUR WORK. ALL RIGHTS OF DESIGN AND INVENTION ARE RESERVED. THIS IS AN ELECTRONICALLY GENERATED DOCUMENT - DO NOT SCALE THIS PRINT				RFP	CAD FILE	52A113159		SIZE	DRAWING NO.	REV.
				DIST				A	52A113159	01



TITLE: OUTLINE  
 CARBONATOR PUMP-DRIP PROOF -RESIL. BASE