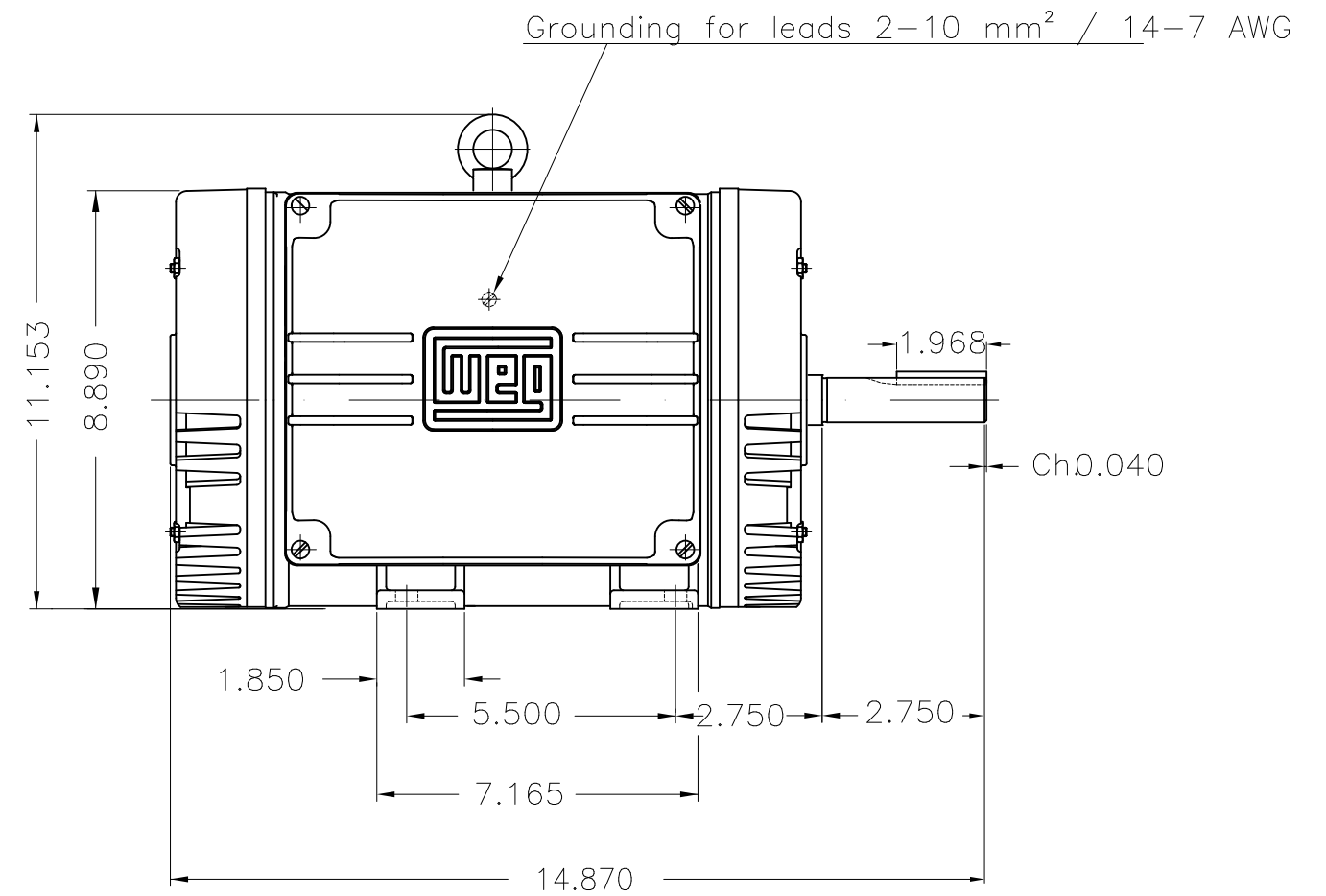
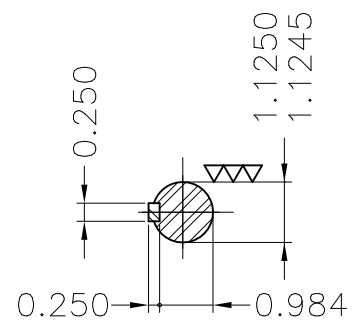
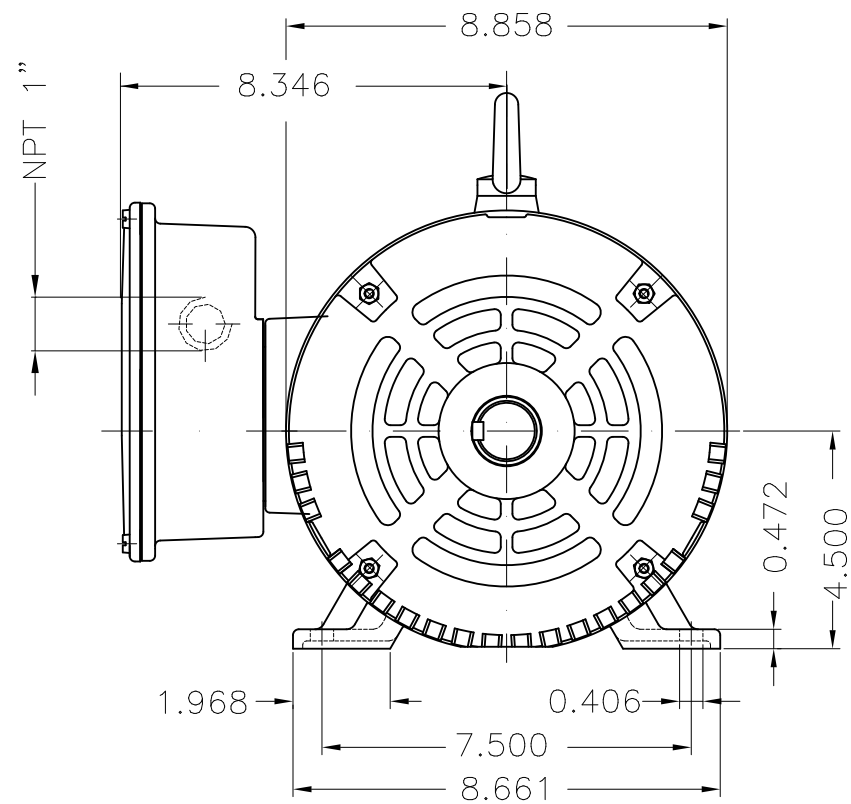
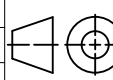


THIS IS AN UPDATED REVISION, THE PREVIOUS ONE MUST BE DISREGARDED.



Grounding for leads 2-10 mm<sup>2</sup> / 14-7 AWG

Mounting B3R(D)									
ECM	LOC	SUMMARY OF MODIFICATIONS			EXECUTED	CHECKED	RELEASED	DATE	VER
EXECUTED	USERADMIN		SINGLE PHASE MOTOR						
CHECKED			FRAME 184T IP22 ODP						
RELEASED			WEG code: 10264926						
REL DT	24.07.2017	WMO	Jaragua do Sul	Product Engineering	SHEET	1 / 1			

7.5 HP 02 Poles 60Hz

A

