

Product Information Packet

November 8, 2016

Data shown is for the current revision model #. Ensure your nameplate model # matches.

Model Number:	5KS286SAA304D3
Catalog Number:	M9755
Instruction Manual:	GEI-56128
Connection Diagram:	GEM2034E-FIG7
Outline Drawing:	4002B5828PAP5201

Accessory Connection Diagrams			
Bearing Thermocouple:	None	Heater:	None
RTD:	None	Thermistor:	None
Thermostat:	None	Winding Thermocouple:	None
Bearing RTD:	None		

Table of Contents

Specification	01
Performance Characteristics	02
Outline Drawing	03
Connection Drawing(s)	04
Spare parts	05



Marks:

MODEL NUMBER:	5KS286SAA304D3	Estimated Weight:	510 Lbs
Outline Drawing:	4002B5828PAP5201	Time Rating:	CONT
Connection Diagram:	GEM2034E-FIG7	Enclosure:	TEFC
Instruction Book:	GEI-56128	Encl Construction:	X\$D
Design Code:	28BD3094B	Ambient Max(°C):	40
Type:	KS	Alt Ambient Max(°C):	65
Frame:	286T	Insulation Class:	H
Phases:	3	NEMA Design:	B
Poles:	6	Nominal Efficiency:	91.7 %
Output Power:	20HP 14.8KW	Guaranteed Efficiency:	91.0
RPM:	1180	3/4 Load Efficiency:	92.3
Voltage:	575	KVA Code:	G
Hertz:	60	Max KVAR:	9.0
Amps - FL:	21.1	Power Factor:	77.5
Service Factor:	1.25	Bearing - DE:	6310ZC3
Alt Service Factor:	1.00	Bearing - ODE:	6310ZC3

Enclosure is Totally Enclosed Fan-Cooled

Stamped Nameplate Notes:

SF AMPS 25.8
 STAMP NP249A5564P051 AS BELOW:
 MODEL:5KS286SAA304D3 S/N: XXX
 CSA CERTIFIED CSA09.2216219 FOR EX NA IIC 200C GC
 CL 1 ZONE2 AEX NA IIC 200C;CL 1 DIV2 GRP ABCD 200C
 IN -40C <= AMB <= 40C, 1.0 SF ON SINE-WAVE PWR
 SURF TEMP 260C AT 1.25SF ON SINE-WAVE PWR
 OR 200C VT OR 215C CT OR 200C CHP PWM CONTROL
 ALTERNATE RATING FOR PWM CONTROL 1.0SF 40C AMB
 VT 0 - 60 HZ, CT 7.5-60 HZ, CHP 60-90 HZ.

Additional Information:

6P - T EXTN
 STANDARD FLOOR MOUNT
 C/BOX 137 CU IN-1.50 NPT
 F1 CONDUIT BOX MOUNTING
 OIL RESISTANT SLEEVING ON LEADS

Performance Characteristics

1st Winding 1st Connection

Design: 28BD3094B

Marks:

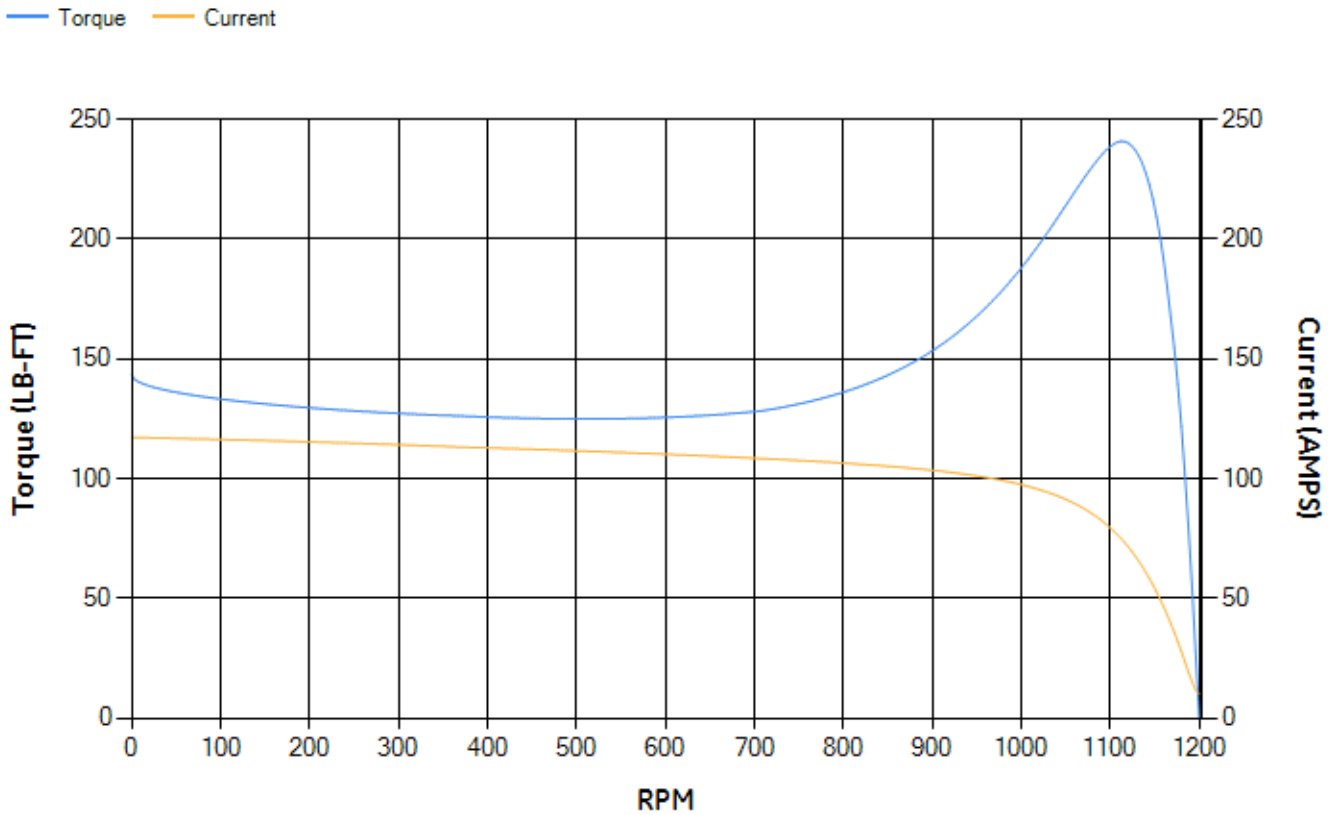
LOAD %	125.0	115.0	100.0	75.0	50.0	25.0	0.0
% EFF	90.77	91.23	92	92.32	91.86	88.15	0.00
% PF	79.94	79.16	77.31	71.54	60.02	38.28	4.18
AMPS	25.8	23.85	21.07	17	13.58	11.1	10

TORQ(FL)#FT	88.87	TORQ(LR)%FL	161.3	TORQ(BD)%FL	270.35
AMPS(LR)	117.17	PF AT START	0.37		

This motor is capable of two cold or one hot start with a maximum connected load inertia of 982 Lb-Ft Sq (41.34 Kg-meter Sq)at 100% voltage, where the load torque varies with the square of the speed. Acceleration time with maximum inertia and the above load type is 33 seconds. Safe stall time at 100% voltage is 83 seconds cold, 48 seconds hot. Rotor inertia is 6.17 Lb-Ft Sq (0.26 Kg-meter Sq).

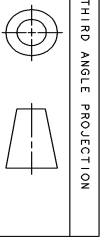
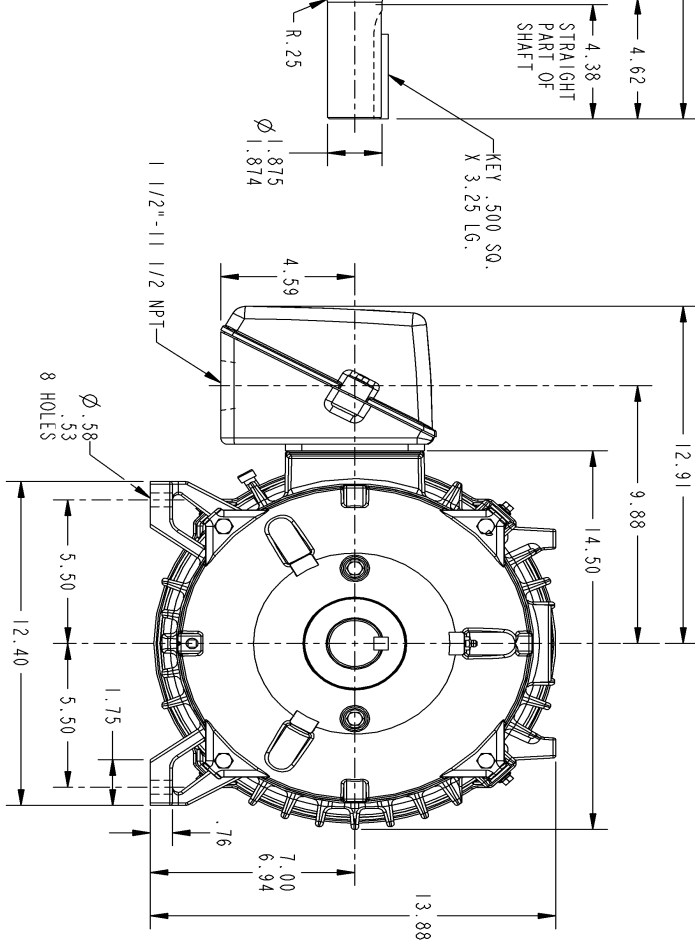
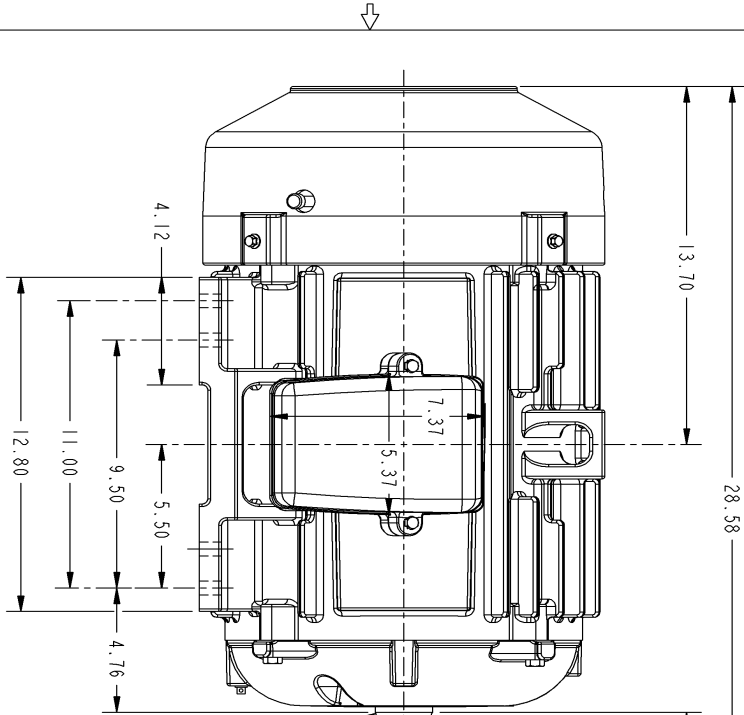
Open Circuit A-C:	0.341	Short Circuit D-C:	0.013
Short Circuit A-C:	0.026	X/R Ratio:	4.82
Stator Slots:	54	Rotor Slots:	42

Speed Torque Current Curve (First Connection, First Speed)



Marks:

NOTE 1: CONDUIT BOX MAY BE ASSEMBLED WITH ENTRANCE UP, DOWN OR TO EITHER SIDE.
 NOTE 2: F1 ASSEMBLY AS SHOWN. F2 ASSEMBLY CONDUIT BOX ON OPPOSITE SIDE FROM SHOWN LOCATION.



SIZE 0
 4002B5828PAP5201

SM 0
 REV

REV.	DESCRIPTION	DATE	APPROVED

SIGNATURES	DATE	REV.
DRWN: GART WARRINEZ	DEC 13/01	0
CHECKED: GART WARRINEZ	FEB 28/02	
ISSUED: GART WARRINEZ	MAR 03/02	

APPLIED PRACTICES

SCALE: 0.250 REF. NO.: 4002B5828PAP5201 SHEET 1 OF 1

GE Industrial Systems
GENERAL ELECTRIC COMPANY
 Fort Wayne, Indiana

INDUCTION MOTOR OUTLINE
 STANDARD CONSTRUCTION

FME: FR280T TFC XSD ULTRA
4002B5828PAP5201

DISTRIBUTION: PMP-18K15

Marks:

Connection Diagram
GEM2034E-FIG7



End shield Assembly		
Part Description	DE Side Part#	ODE Side Part#
End Shield	4004D5284PB1	4004D5284SE1
Bearing	235A2608AA01	235A2608AA01
Slinger/Inproseal	149C4399G03	149C4399G03

Fan & Fan Cover Assembly	
Part Description	Part#
Fan	159C6900G01
Fan Cover	4003C5789PA1

Conduit & Accessories Box Assembly	
Part Description	Part#
Conduit Box	4002B5728PA-G01

Mechanical Accessories	
Part Description	Part#
Brake	
Tachometer	