

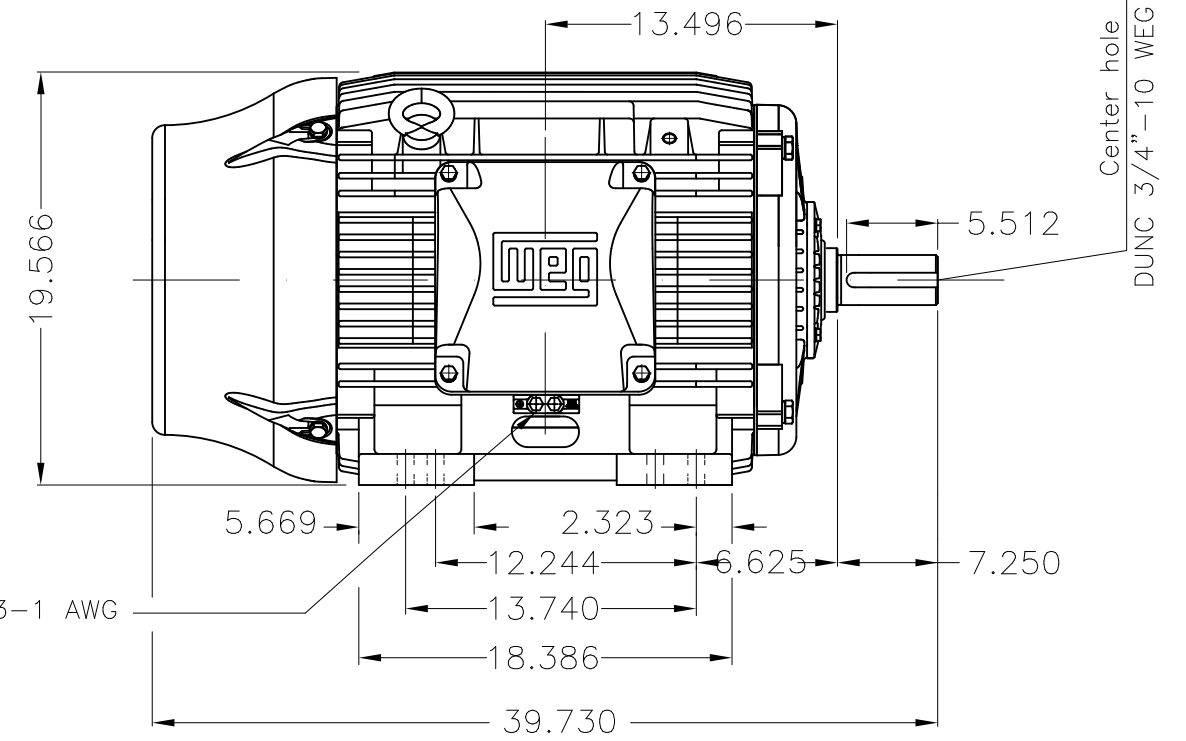
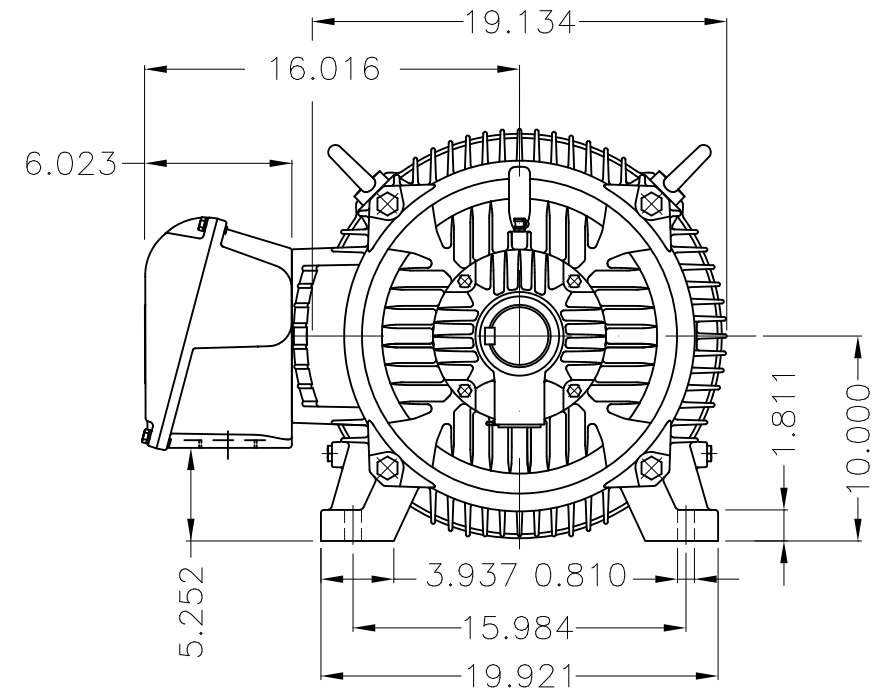
Dimensões em polegada  
Dimensions in inches

THIS IS AN UPDATED REVISION, THE  
PREVIOUS ONE MUST BE DISREGARDED.



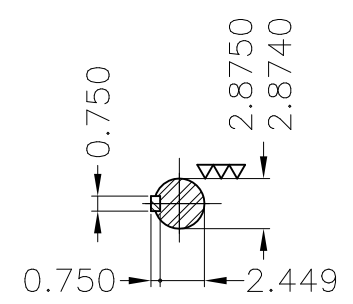
Grounding for leads 25-50 mm<sup>2</sup> / 3-1 AWG

Main terminal box



Center hole  
DUNC 3/4"-10 WEG TBG12

Grounding for leads 25-50 mm<sup>2</sup> / 3-1 AWG



DE Shaft End

DE roller bearing
Shaft locking device
Terminal block with 6 terminals
Design A
Color RAL 5009
Painting plan 203A
Service factor 1.15
Mounting B3R(D)

ECM	LOC	SUMMARY OF MODIFICATIONS			EXECUTED	CHECKED	RELEASED	DATE	VER
EXECUTED	USERADMIN		THREE PHASE W22 MOTOR - NEMA PREMIUM EFF						
CHECKED			FRAME 404/5T IP55 TEFC						
RELEASED			WEG code: 13503280						
REL DT	24.07.2017		WMO	Jaragua do Sul	Product Engineering	SHEET	1 / 1		

60 HP    08 Poles    60Hz

A

