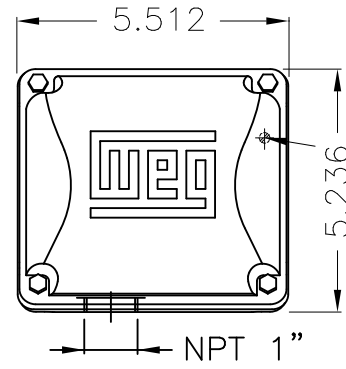
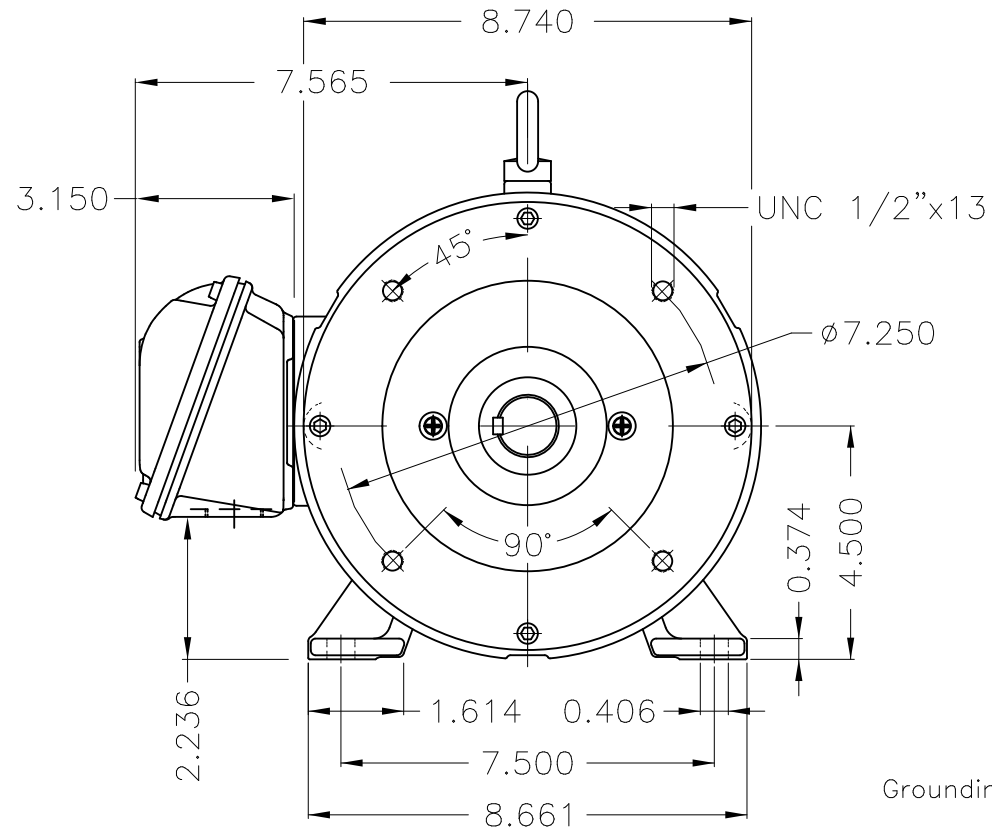
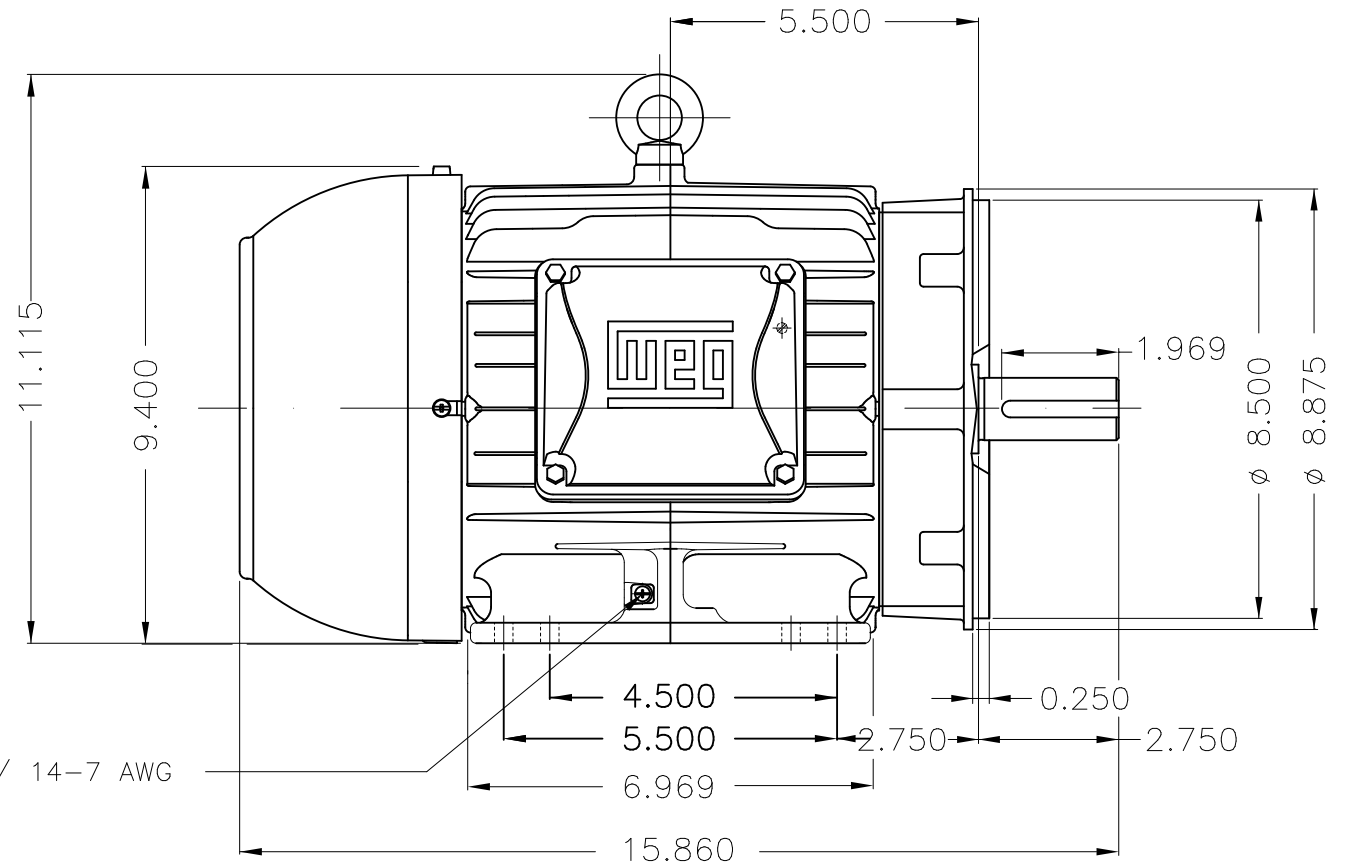


Dimensões em polegada
Dimensions in inches

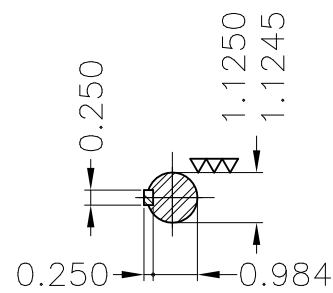
THIS IS AN UPDATED REVISION, THE
PREVIOUS ONE MUST BE DISREGARDED.



Main terminal box



Grounding for leads 2-10 mm² / 14-7 AWG



DE Shaft End

Color RAL 5009									
Painting plan 202E									
Mounting B34R(D)									
ECM	LOC	SUMMARY OF MODIFICATIONS			EXECUTED	CHECKED	RELEASED	DATE	VER
EXECUTED	USERADMIN	THREE PH. W22 NEMA P.EFF MOTOR IEEEE841							
CHECKED		FRAME 182/4TC IP55 TEFC							
RELEASED		WEG code: 11433391							
REL DT	24.07.2017	WMO	Jaragua do Sul	Product Engineering	SHEET	1 / 1			

5 HP 04 Poles 60Hz

A

