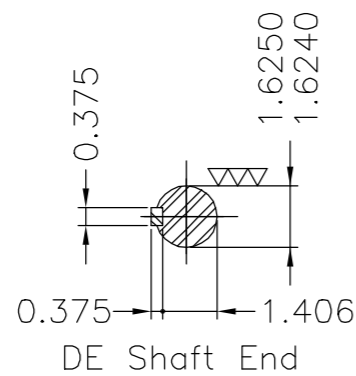
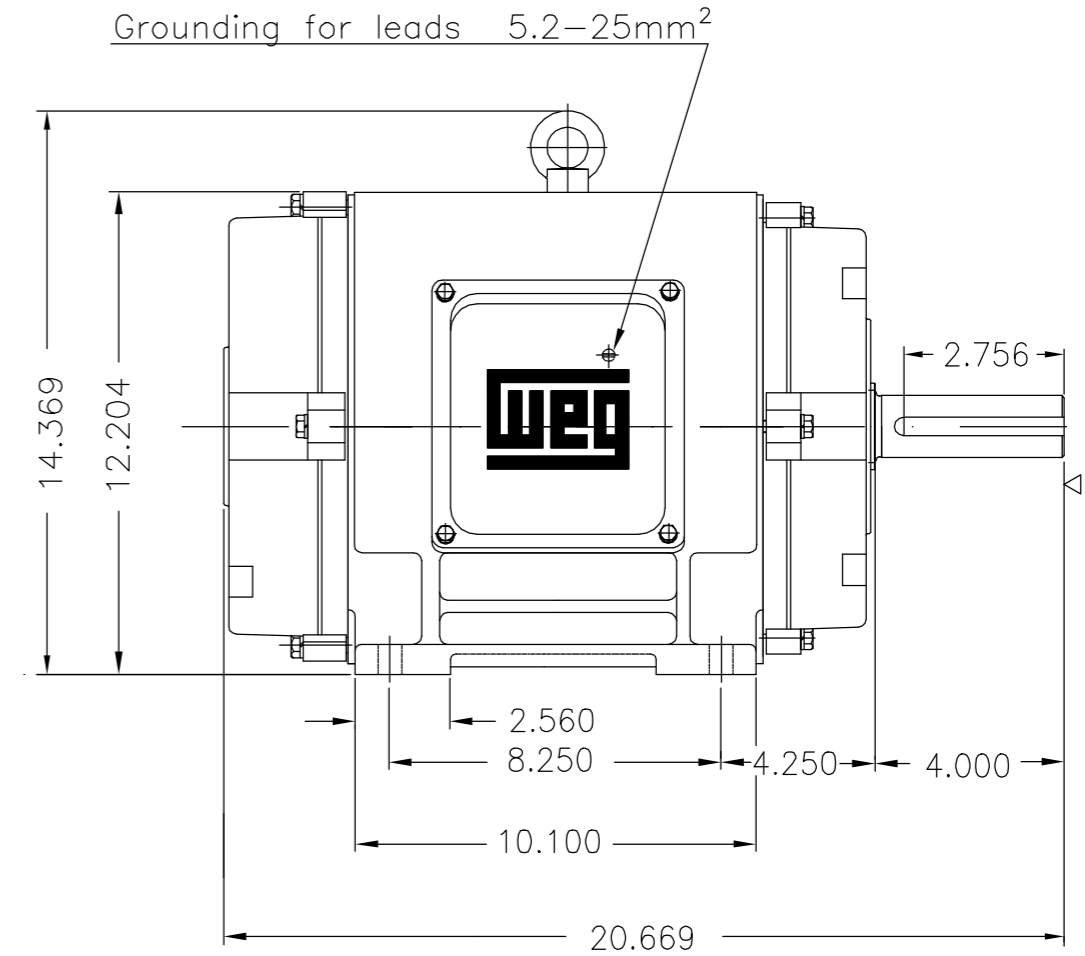
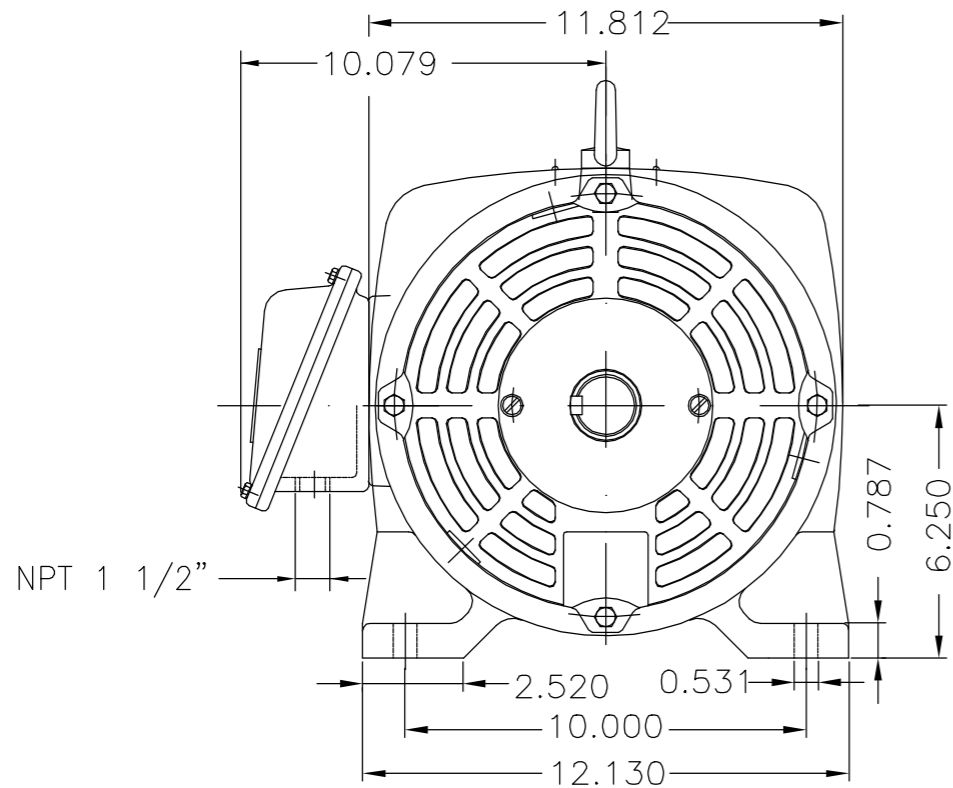


No reproduction of this drawing is allowed without written permission of WEG Motores

EIXO		Dimensões em polegadas Dimensions in inches
PADRÃO	X	
OPCIONAL		
ESPECIAL		


THIS IS AN UPDATED REVISION, THE PREVIOUS ONE MUST BE DISREGARDED.



Plano de pintura 203A / Painting plan 203A
 Cabos de ligação numerados com etiqueta / Leads are labeled
 Pintar motor após montagem / Paint motor after assembly
 Cabos de ligação sem terminais / Connection leads without terminals
 Forma construtiva B3D / Mounting B3R(D)

WEG ELECTRIC CORP. - NORTH LAK

404943088-MEC.

500001212226		Retirado nota de parafuso organometálico	MENSOR		ODORIZZI	22.08.2016	03
500000440485		ALT. NOTA PLANO DE PINTURA	JTISSI		AMORIM	13.05.2011	02
ECM	LOC	SUMMARY OF MODIFICATIONS	EXECUTED	CHECKED	RELEASED	DATE	VER
EXECUTED	DANIELF	THREE PHASE NEMA P. EFF MOTOR FRAME 254T IP23			10001184760		
CHECKED					000 03		
RELEASED	ADRIANAP				000 03		
REL DT	25.03.2011		WMO	JARAGUÁ DO SUL	ENGENHARIA DE PRODUTO	SHEET	1 / 1

15 HP 04 Poles 60Hz 410995212/0