

Product Information Packet

November 9, 2016

Data shown is for the current revision model #. Ensure your nameplate model # matches.

Model Number:	5KS286SAA100D2
Catalog Number:	M9904
Instruction Manual:	GEI-56128
Connection Diagram:	GEM2034E-FIG7
Outline Drawing:	4002B5828PBP5433

Accessory Connection Diagrams			
Bearing Thermocouple:	None	Heater:	None
RTD:	None	Thermistor:	None
Thermostat:	None	Winding Thermocouple:	None
Bearing RTD:	None		

Table of Contents

Specification	01
Performance Characteristics	02
Outline Drawing	03
Connection Drawing(s)	04
Spare parts	05



Marks:

MODEL NUMBER:	5KS286SAA100D2	Estimated Weight:	510 Lbs
Outline Drawing:	4002B5828PBP5433	Time Rating:	CONT
Connection Diagram:	GEM2034E-FIG7	Enclosure:	TEFC
Instruction Book:	GEI-56128	Encl Construction:	X\$D
Design Code:	28BD0153A	Ambient Max(°C):	40
Type:	KS	Alt Ambient Max(°C):	60
Frame:	286TSC	Insulation Class:	H
Phases:	3	NEMA Design:	B
Poles:	2	Nominal Efficiency:	92.4 %
Output Power:	30HP 22.2KW	Guaranteed Efficiency:	91.7
RPM:	3545	3/4 Load Efficiency:	93.4
Voltage:	460	KVA Code:	G
Hertz:	60	Max KVAR:	4.2
Amps - FL:	32.7	Power Factor:	93.0
Service Factor:	1.15	Bearing - DE:	6310ZC3
Alt Service Factor:	1.00	Bearing - ODE:	6310ZC3

Enclosure is Totally Enclosed Fan-Cooled

Stamped Nameplate Notes:

STAMP NP249A5564P051 AS BELOW:
 MODEL:5KS286SAA100D2 S/N: XXX
 CSA CERTIFIED CSA09.2216219 FOR EX NA IIC 200C GC
 CL 1 ZONE2 AEX NA IIC 200C;CL 1 DIV2 GRP ABCD 200C
 IN -25C <= AMB <= 40C, 1.0 SF ON SINE-WAVE PWR
 SURF TEMP 260C AT 1.15SF ON SINE-WAVE PWR
 OR 200C VT OR 215C CT OR 215C CHP PWM CONTROL
 ALTERNATE RATING FOR PWM CONTROL 1.0SF 40C AMB
 VT 0 - 60 HZ, CT 15-60 HZ, CHP 60-90 HZ.

Additional Information:

2P - TS EXTN
 STANDARD FLOOR MOUNT
 C/BOX 137 CU IN-1.50 NPT
 F1 CONDUIT BOX MOUNTING
 "C" FACE AT DE ENDSHIELD
 INPRO SEAL DE ONLY
 OIL RESISTANT SLEEVING ON LEADS

Performance Characteristics

1st Winding 1st Connection

Design: 28BD0153A

Marks:

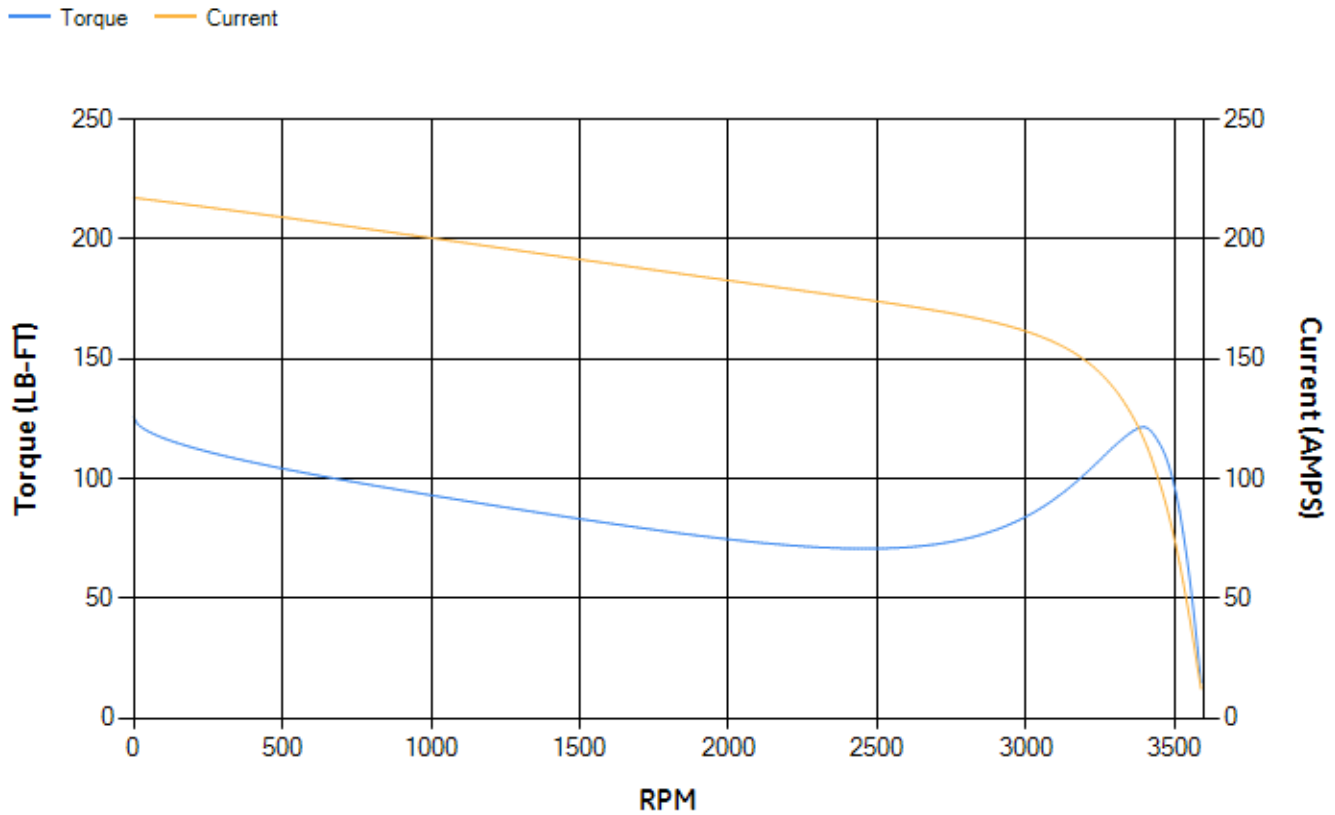
LOAD %	125.0	115.0	100.0	75.0	50.0	25.0	0.0
% EFF	91.42	91.93	92.8	93.37	93.43	91.04	0.00
% PF	92.42	92.7	92.9	92.36	89.48	77.1	9.71
AMPS	41.54	37.89	32.57	24.42	16.79	10	5.88

TORQ(FL)#FT	44.4	TORQ(LR)%FL	283.33	TORQ(BD)%FL	272.76
AMPS(LR)	217.27	PF AT START	0.43		

This motor is capable of two cold or one hot start with a maximum connected load inertia of 111 Lb-Ft Sq (4.67 Kg-meter Sq)at 100% voltage, where the load torque varies with the square of the speed. Acceleration time with maximum inertia and the above load type is 18 seconds. Safe stall time at 100% voltage is 38 seconds cold, 21 seconds hot. Rotor inertia is 3.25 Lb-Ft Sq (0.14 Kg-meter Sq).

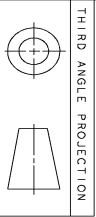
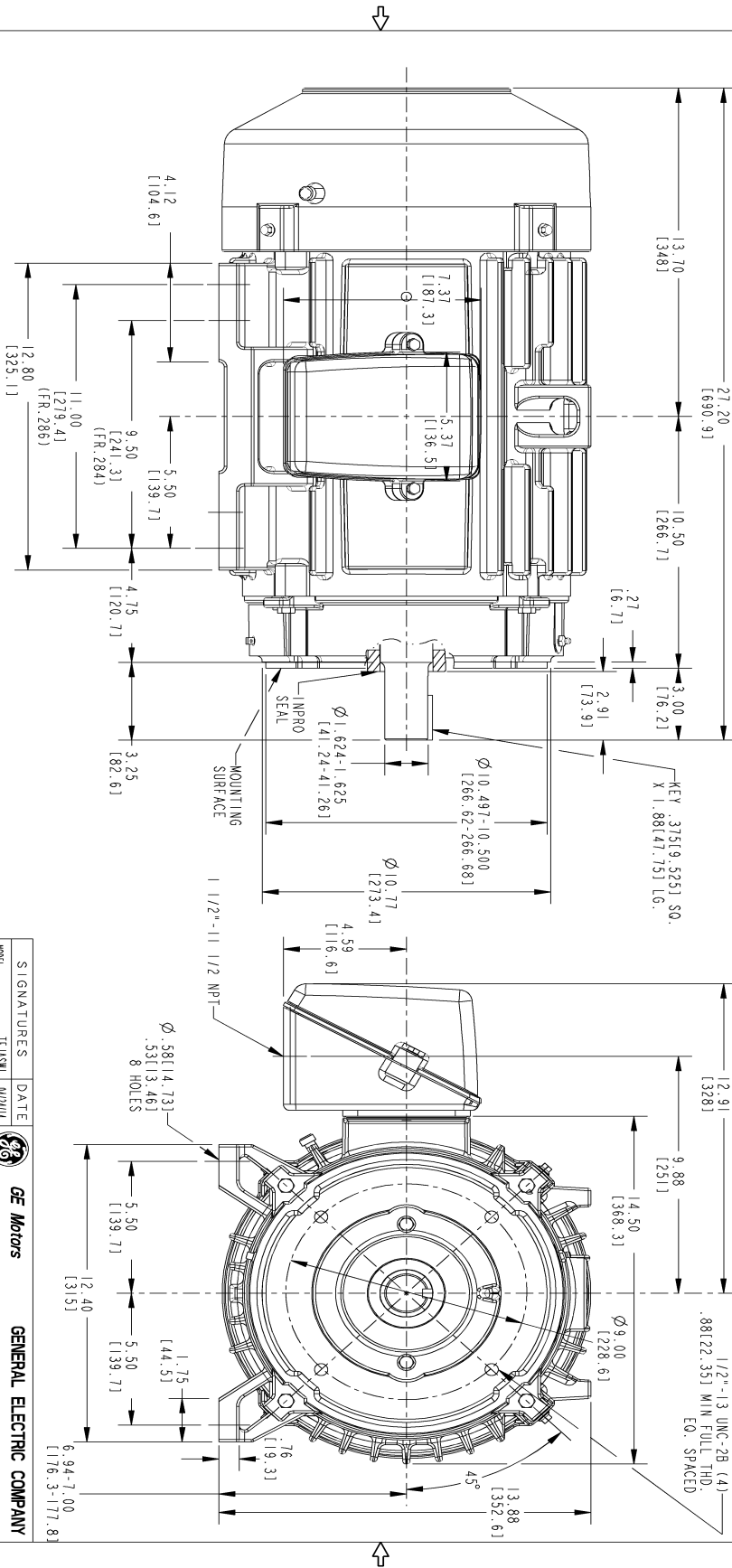
Open Circuit A-C:	1.041	Short Circuit D-C:	0.013
Short Circuit A-C:	0.025	X/R Ratio:	5.017
Stator Slots:	48	Rotor Slots:	38

Speed Torque Current Curve (First Connection, First Speed)



Marks:

NOTE 1: CONDUIT BOX MAY BE ASSEMBLED WITH ENTRANCE UP, DOWN OR TO EITHER SIDE.
 NOTE 2: F1 ASSEMBLY AS SHOWN. F2 ASSEMBLY CONDUIT BOX ON OPPOSITE SIDE FROM SHOWN LOCATION.
 NOTE 3: MOUNTING SURFACES WILL BE SQUARE AND CONCENTRIC WITH SHAFT WITHIN .004 T.I.R.
 NOTE 4: SHAFT RUNOUT WILL NOT EXCEED .002 T.I.R.
 NOTE 5: ALL DIMENSIONS ARE IN INCHES. BRACKETED DIMENSIONS ARE IN METRIC (MILLIMETER)



THIRD ANGLE PROJECTION

SIZE DRAWING NO. B

4002B5828PBP5433

REV SHEET 0 1

REV.	DESCRIPTION	DATE	APPROVED

REVISIONS

SIGNATURES	DATE
MODEL: TEJASNI MIZUHA	
DETAIL: TEJASNI MIZUHA	
DESIGNED: HARINRANI MIZUHA	
ENGR: HARINRANI MIZUHA	
CHK: HARINRANI MIZUHA	
QUALITY: TEJASNI MIZUHA	
ISSUED: TEJASNI MIZUHA	
SOLD MODEL: 4002B5828PBP5433	

GE Motors	GENERAL ELECTRIC COMPANY
TITLE: INDUCTION MOTOR OUTLINE	
C- FACE AT DRIVE END (0.50" RABBET), INPRO SEAL	
F1/F2 FACE AT DRIVE END (0.50" RABBET), INPRO SEAL	
SIZE DRAWING: 4002B5828PBP5433	
QUALITY: B	
SCALE: 0.250	REF. No.: 4002B5828PBP5221
REV: 0	SHEET 1 OF 1

Marks:

Connection Diagram
GEM2034E-FIG7



End shield Assembly		
Part Description	DE Side Part#	ODE Side Part#
End Shield	128D6206PM1	4004D5284SE1
Bearing	235A2608AA01	235A2608AA01
Slinger/Inproseal	235A4575GC20	149C4399G03

Fan & Fan Cover Assembly	
Part Description	Part#
Fan	159C6704G02
Fan Cover	4003C5789PA1

Conduit & Accessories Box Assembly	
Part Description	Part#
Conduit Box	4002B5728PA-G01

Mechanical Accessories	
Part Description	Part#
Brake	
Tachometer	