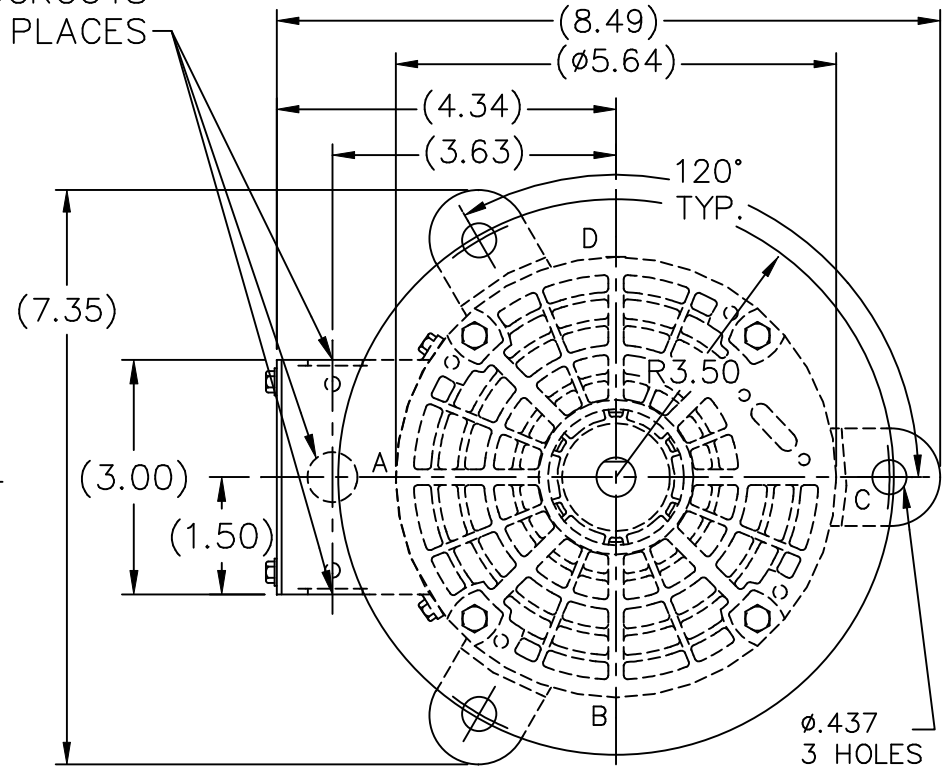
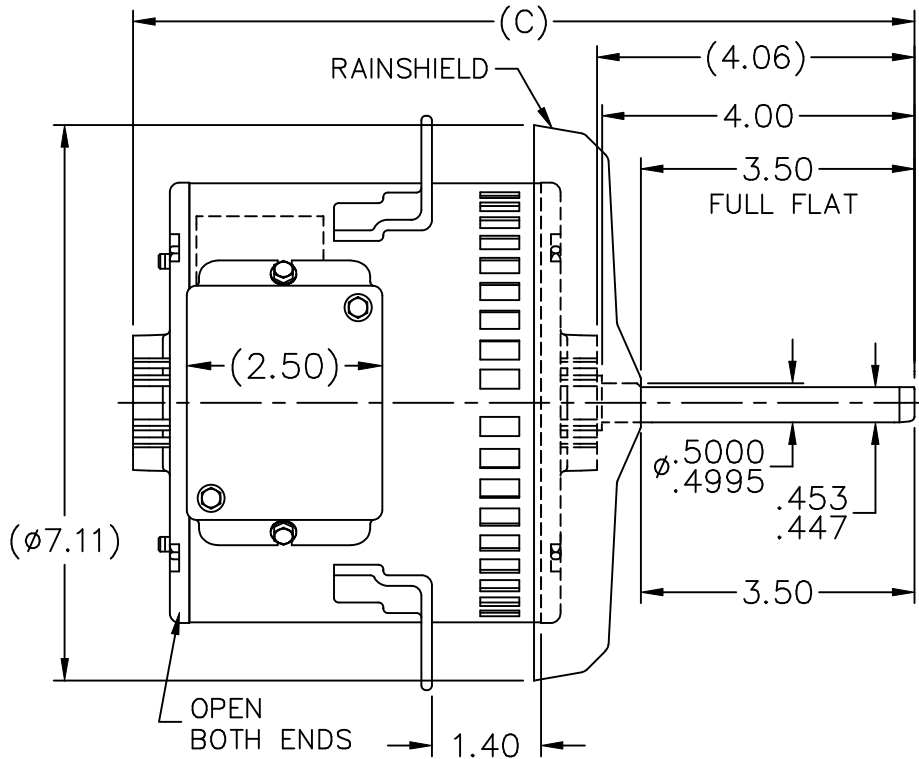


TERM. END

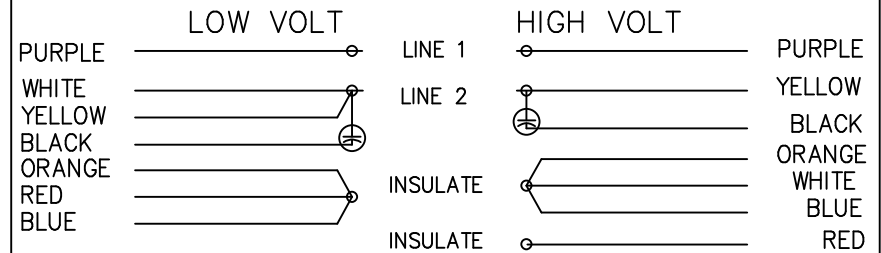
Ø.88 KNOCKOUTS
3 PLACES



DASH	FR	C
475	48Y	10.19
500	48Y	10.44
638	48Y	11.82

NOTE:
NAMEPLATE LOC. BETWEEN 'C'
& 'D' REAR FROM CONDUIT BOX SIDE.

C.C.W. ROTATION SHOWN. TO REVERSE
INTERCHANGE BLUE & BLACK LEADS



NO.	REVISION	BY & DATE	CHK	TOLERANCES UNLESS SPECIFIED	
				ANG	INCHES
5	UPDATED DRAWING	RJW 04-13-2007	DEC.		
4	UPDADTED CONDUIT BOX PER CN39440-6	TJW	.X		±.1
3	REDRAWN IN AUTOCAD	TAT 09-01-2004	ML	.XX	±.03
2	MOUNTING LUG HOLE DIA. WAS .41	CN 27650 MRB 03-29-1999		.XXX	±.005
1	NEW DRAWING	4358323 BLR 01-29-1996		.XXXX	±.0005

MARATHON ELECTRIC

TITLE OUTLINE

MAT'L.

FINISH

DRAWN	BLR 01-16-1996
CHK	ML 01-17-1996
APPD	TOM 01-17-1996
SCALE	13=32
REF	
FMF	
PREV	

THIS DRAWING IN DESIGN AND DETAIL IS OUR PROPERTY AND MUST NOT BE USED EXCEPT IN CONNECTION WITH OUR WORK ALL RIGHTS OF DESIGN AND INVENTION ARE RESERVED THIS IS AN ELECTRONICALLY GENERATED DOCUMENT - DO NOT SCALE THIS PRINT			RFP	CAD FILE	ss400183	SIZE	DRAWING NO.	PAGE	OF	REV.
			DIST	WP		A	SS400183			5