

# Product Information Packet

November 7, 2016

Data shown is for the current revision model #. Ensure your nameplate model # matches.

<b>Model Number:</b>	<b>5KS182ATE204A</b>
<b>Catalog Number:</b>	<b>E7635</b>
<b>Instruction Manual:</b>	GEI-M1023
<b>Connection Diagram:</b>	GEM2034E-FIG7
<b>Outline Drawing:</b>	358B6214AA

Accessory Connection Diagrams			
<b>Bearing Thermocouple:</b>	None	<b>Heater:</b>	None
<b>RTD:</b>	None	<b>Thermistor:</b>	None
<b>Thermostat:</b>	None	<b>Winding Thermocouple:</b>	None
<b>Bearing RTD:</b>	None		

Table of Contents	
Specification	01
Performance Characteristics	02
Outline Drawing	03
Connection Drawing(s)	04

**Marks:**

<b>MODEL NUMBER:</b>	<b>5KS182ATE204A</b>	<b>Estimated Weight:</b>	100 Lbs
<b>Outline Drawing:</b>	358B6214AA	<b>Time Rating:</b>	CONT
<b>Connection Diagram:</b>	GEM2034E-FIG7	<b>Enclosure:</b>	DP
<b>Instruction Book:</b>	GEI-M1023	<b>Encl Construction:</b>	OPEN
<b>Design Code:</b>	18AD1006B	<b>Ambient Max(°C):</b>	40
<b>Type:</b>	KS	<b>Alt Ambient Max(°C):</b>	--
<b>Frame:</b>	182T	<b>Insulation Class:</b>	F
<b>Phases:</b>	3	<b>NEMA Design:</b>	A
<b>Poles:</b>	4	<b>Nominal Efficiency:</b>	89.5 %
<b>Output Power:</b>	3HP 2.2KW	<b>Guaranteed Efficiency:</b>	87.5
<b>RPM:</b>	1755	<b>3/4 Load Efficiency:</b>	90.6
<b>Voltage:</b>	575	<b>KVA Code:</b>	L
<b>Hertz:</b>	60	<b>Max KVAR:</b>	1.2
<b>Amps - FL:</b>	3.1	<b>Power Factor:</b>	79.5
<b>Service Factor:</b>	1.15	<b>Bearing - DE:</b>	6207ZZ
<b>Alt Service Factor:</b>	--	<b>Bearing - ODE:</b>	6206ZZ

Enclosure is Dripproof

---

**Stamped Nameplate Notes:****Additional Information:**

4 POLE DRIP PROOF  
 CONDUIT BOX MATERIAL: STAMPED STEEL  
 CONDUIT BOX VOL: 30.2 CU IN  
 NO. OF MOTOR LEADS: 3  
 NOT USEABLE AT 200 VOLTS  
 GREASE TYPE: SHELL ALVANIA R3 LITHIUM  
 SOUND POWER DATA: 66.5  
 OFFSET STATOR CORE NOT SUITABLE FOR F2 CONVERSION  
 INVERTER DUTY PER NEMA MG1 PART 31  
 FOR VARIABLE TORQUE LOADS

**Performance Characteristics**

1st Winding 1st Connection

**Design: 18AD1006B**

**Marks:**

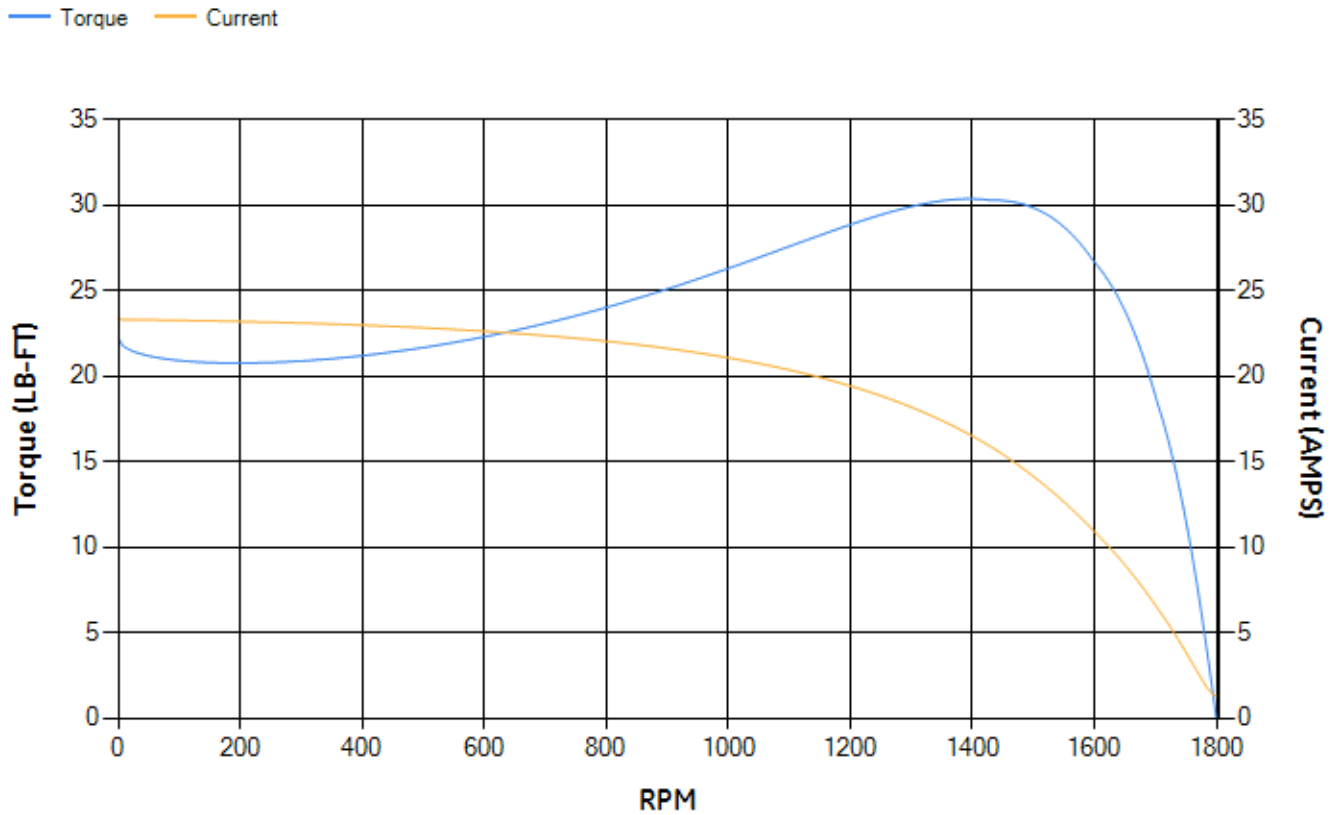
LOAD %	125.0	115.0	100.0	75.0	50.0	25.0	0.0
% EFF	88.96	89.46	90.28	90.6	89.93	85.3	0.00
% PF	83.57	82.86	81.23	76.21	65.83	44.46	6.56
AMPS	3.78	3.48	3.06	2.44	1.9	1.48	1.27

TORQ(FL)#FT	8.97	TORQ(LR)%FL	247.77	TORQ(BD)%FL	333.52
AMPS(LR)	23.3	PF AT START	0.44		

This motor is capable of two cold or one hot start with a maximum connected load inertia of 123 Lb-Ft Sq (5.18 Kg-meter Sq)at 100% voltage, where the load torque varies with the square of the speed. Acceleration time with maximum inertia and the above load type is 33 seconds. Safe stall time at 100% voltage is 80 seconds cold, 58 seconds hot. Rotor inertia is 0.39 Lb-Ft Sq (0.02 Kg-meter Sq).

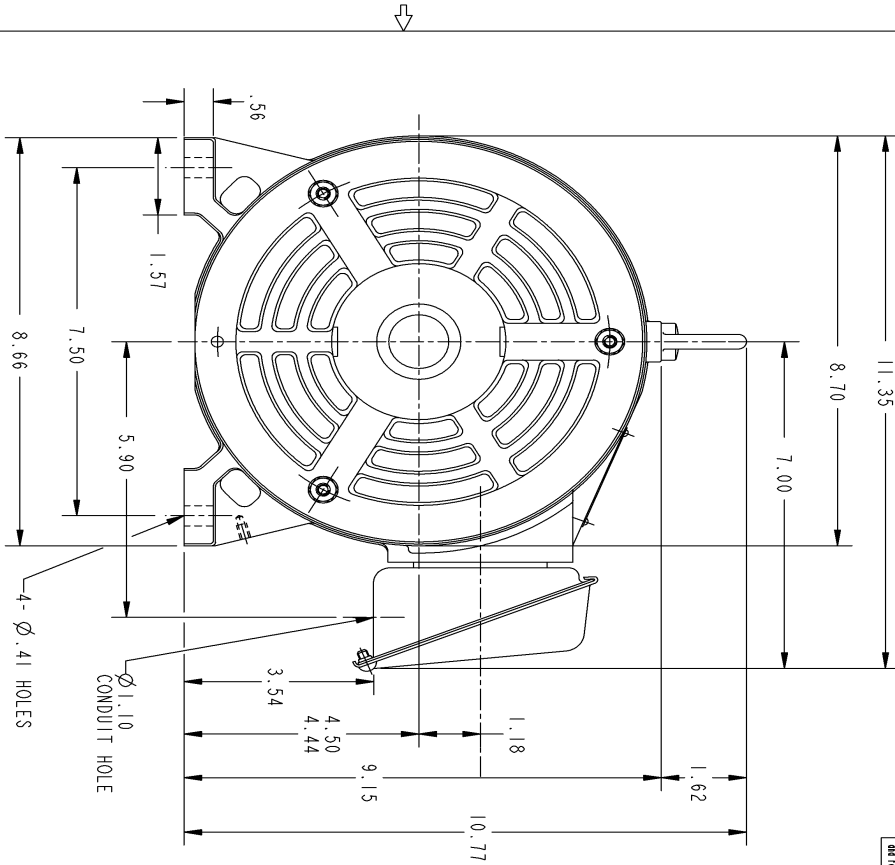
Open Circuit A-C:	0.253	Short Circuit D-C:	0.009
Short Circuit A-C:	0.012	X/R Ratio:	3.243
Stator Slots:	36	Rotor Slots:	28

**Speed Torque Current Curve (First Connection, First Speed)**



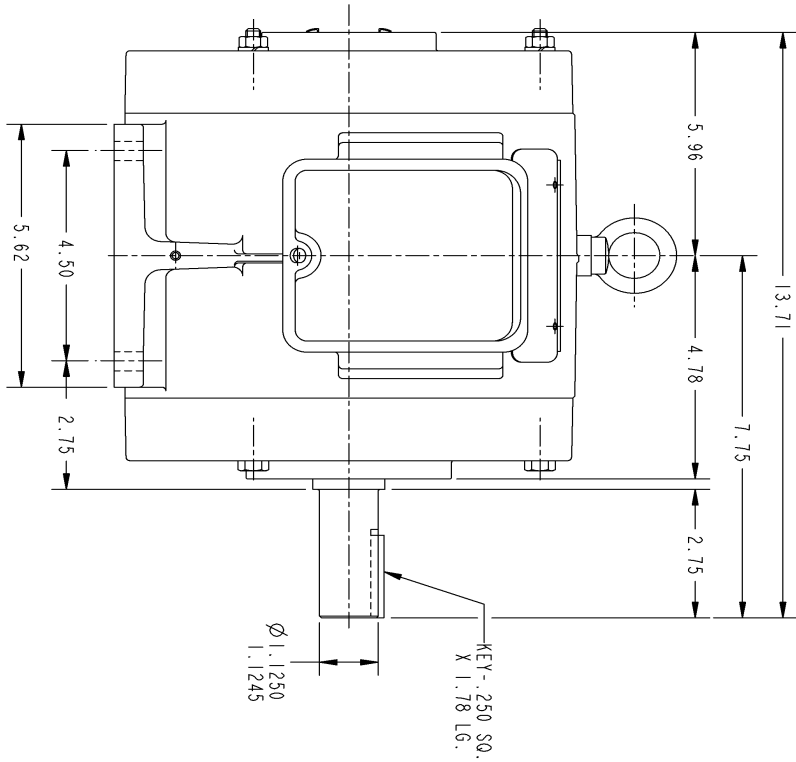
NAME:501452442 OBJECT:358B6214AA DATE:24-May-07 22:58:52

Marks:



NOTES :

1. CONDUIT BOX MAY BE PLACED WITH THE ENTRANCE DOWN, UP OR ON EITHER SIDE.
2. F-1 ASM AS SHOWN.
3. F-2 ASM - HAS CONDUIT BOX ON OPPOSITE SIDE.

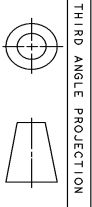


This General is the property of General Electric Company (GEC) and contains confidential information. It is intended for use only by the recipient named in the header. If you are the recipient named in the header, you are authorized to use this information for the purpose intended. If you are not the recipient named in the header, you are not authorized to use this information for any purpose. This General shall be returned to GEC upon its receipt and shall not be copied, reproduced, or otherwise disseminated without the express written consent of GEC.

SIZE DRAWING FOR 358B6214AA GE PROPRIETARY INFORMATION

REVISIONS

REV.	DESCRIPTION	DATE	APPROVED
1	ISAAC 07-0770	05/02/07	R. KOHNE



SIGNATURES	DATE
DRWN P. RAJU 03/28/03	
CHKD PRABHAKAR 03/27/03	
ENGR	
ISSD PRABHAKAR 03/27/03	

UNLESS OTHERWISE SPECIFIED: DIMENSIONS ARE IN INCHES TOLERANCE ON: 2 PL DECIMALS ± .01 3 PL DECIMALS ± .005 ANGLES ± 1°

**GE Industrial Systems** GENERAL ELECTRIC COMPANY Fort Wayne, Indiana

OUTLINE

182T - OPEN DRIP PROOF

358B6214AA

SCALE: DRAWING SCALE

SIZE DRAWING B

REV. 1

SHEET 1 OF 1

DISTRIBUTION:

Marks:

**Connection Diagram**  
**GEM2034E-FIG7**

