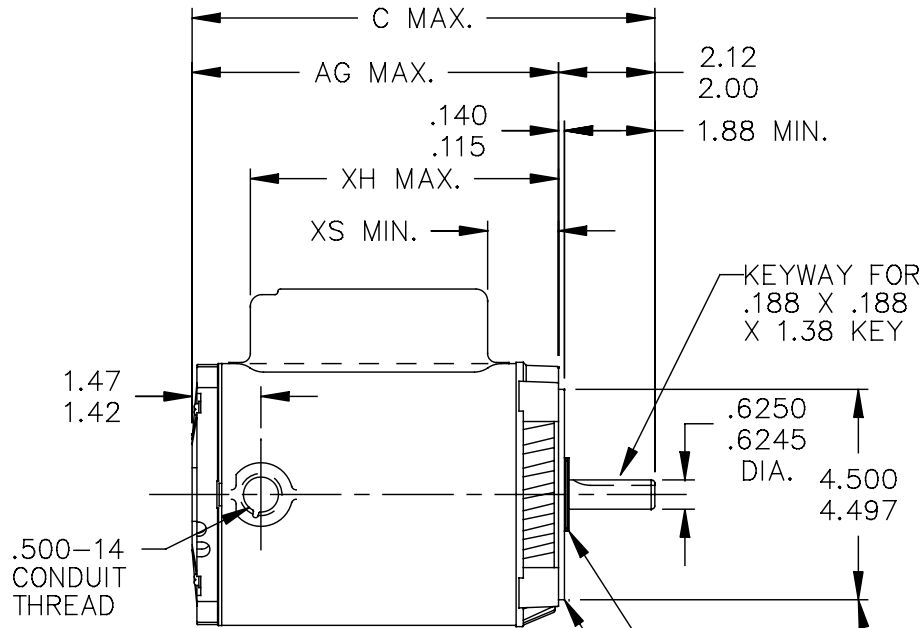


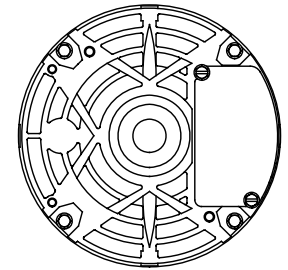
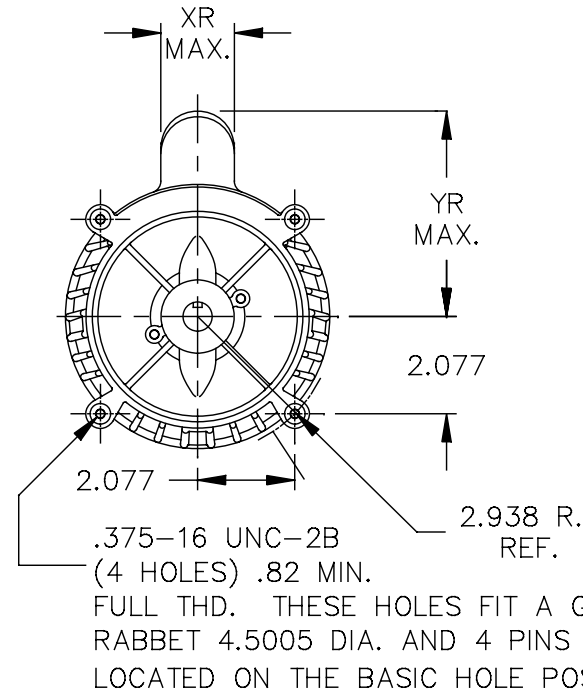
52A109305



FACE RUNOUT (WITH INDICATOR MOUNTED STATIONARY RELATIVE TO SHAFT) MUST NOT EXCEED .004 T.I.R.

WATER SLINGER (WHEN SPECIFIED)

ECCENTRICITY OF THIS SURFACE (WITH INDICATOR MOUNTED STATIONARY RELATIVE TO SHAFT) MUST NOT EXCEED .004 T.I.R.



VIEW SHOWING S.E. ENDSHIELD

4	KC	33	56C	9.23	7.09	5.83	1.52	1.60	4.36
3	KC	35	56C	9.61	7.47	6.21	1.76	2.10	4.68
2	KC	35	56C	9.61	7.47	6.21	1.76	1.60	4.31
1	KC	36	56C	10.04	7.80	7.07	1.48	1.60	4.31
P	TYPE	RBC SIZE	NEMA FR	C	AG	XH	XS	XR	YR

NO.	REVISION	BY & DATE	CHK	ANG	TOLERANCES UNLESS SPECIFIED	FINISH	CAD FILE	SIZE	DRAWING NO.	REV.
6	'XS' WAS 1.76 & 'YR' WAS 4.31, CHANGED DIMENSIONS FOR PART# 4 PER NMR-0094711	GRB 10/08/15	GRB	DEC.	INCHES					
				.X	±0.1					
5	REDRAWN IN DRAFT SIGHT - NO CHANGES	PVR 10/16/12	PKG	.XX	±0.02	TITLE	OUTLINE		SCALE 1=1	
4	CHG TO RBC FORMAT PER IS05-1777	SUD 03/09/06		.XXX	±0.005		JET PUMP MOTOR - DRIP PROOF - R2 END MOUNTED		REF	
3	ADDED PT#4	MAM 06/16/99		.XXXX	±0.0005	MAT'L.			FMF	
				±1.0					PREV	
			RFP				52A109305	A	52A109305	6
			DIST							

THIS DRAWING IN DESIGN AND DETAIL IS OUR PROPERTY AND MUST NOT BE USED EXCEPT IN CONNECTION WITH OUR WORK ALL RIGHTS OF DESIGN AND INVENTION ARE RESERVED THIS IS AN ELECTRONICALLY GENERATED DOCUMENT - DO NOT SCALE THIS PRINT



REGAL-BELOIT CORPORATION

DRAWNB. JOHN 06/16/93

CHK

APPD B.L.J. 06/16/93

SCALE 1=1

REF

FMF

PREV

SIZE A DRAWING NO. 52A109305 REV. 6