

Product Information Packet

November 9, 2016

Data shown is for the current revision model #. Ensure your nameplate model # matches.

Model Number:	5KS182STE105A
Catalog Number:	M7703
Instruction Manual:	GEI-M1031
Connection Diagram:	GEM2034E-FIG203
Outline Drawing:	358B6270AA

Accessory Connection Diagrams

Bearing Thermocouple:	None	Heater:	None
RTD:	None	Thermistor:	None
Thermostat:	None	Winding Thermocouple:	None
Bearing RTD:	None		

Table of Contents

Specification	01
Performance Characteristics	02
Outline Drawing	03
Connection Drawing(s)	04



Marks:

MODEL NUMBER:	5KS182STE105A	Estimated Weight:	118 Lbs
Outline Drawing:	358B6270AA	Time Rating:	CONT
Connection Diagram:	GEM2034E-FIG203	Enclosure:	TEFC
Instruction Book:	GEI-M1031	Encl Construction:	SD
Design Code:	18AD0011A	Ambient Max(°C):	40
Type:	KS	Alt Ambient Max(°C):	--
Frame:	182T	Insulation Class:	F
Phases:	3	NEMA Design:	B
Poles:	2	Nominal Efficiency:	86.5 %
Output Power:	3HP 2.2KW	Guaranteed Efficiency:	84.0
RPM:	3525	3/4 Load Efficiency:	90.9
Voltage:	230/460	KVA Code:	K
Hertz:	60	Max KVAR:	0.7
Amps - FL:	7.2/3.6	Power Factor:	91
Service Factor:	1.15	Bearing - DE:	6207ZZC3
Alt Service Factor:	--	Bearing - ODE:	6206ZZC3

Enclosure is Totally Enclosed Fan-Cooled

Stamped Nameplate Notes:

USABLE AT 200V @ 3 HP, 8.0 AMPS @ 1.0 SF

LRA: 59.4/29.7

50HZ DATA: 2 HP, 200/400V, 6.0/3.0 AMPS @ 1.15 SF

50HZ DATA: 3 HP, 200/400V, 8.2/4.1 AMPS @ 1.00 SF

GREASE TYPE: SHELL ALVANIA R3 LITHIUM GREASE

Additional Information:

CONDUIT BOX MATERIAL: CAST IRON

SUITABLE FOR USE IN CLASS I DIVISION 2 LOCATIONS

CLASS I DIVISION 2 GROUPS A,B,C,D T3C

CLASS I ZONE 2 IIC T3C



Performance Characteristics

1st Winding 1st Connection

Design: 18AD0011A

Marks:

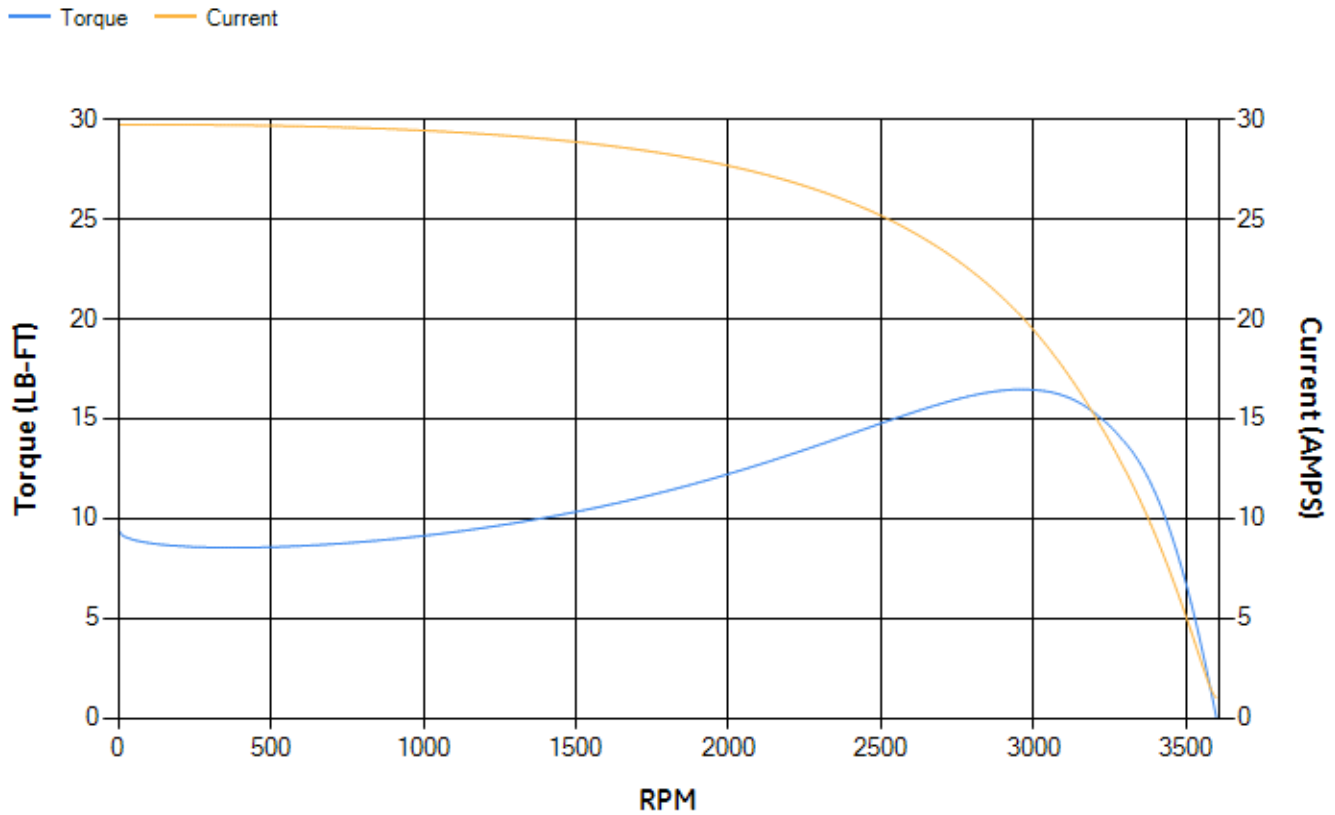
LOAD %	125.0	115.0	100.0	75.0	50.0	25.0	0.0
% EFF	89.41	89.86	90.61	90.87	90.22	85.73	0.00
% PF	92.33	91.96	91.09	88.22	81.28	62.01	10.22
AMPS	4.25	3.91	3.4	2.63	1.91	1.32	0.99

TORQ(FL)#FT	4.47	TORQ(LR)%FL	211.03	TORQ(BD)%FL	364.25
AMPS(LR)	29.73	PF AT START	0.46		

This motor is capable of two cold or one hot start with a maximum connected load inertia of 27 Lb-Ft Sq (1.14 Kg-meter Sq)at 100% voltage, where the load torque varies with the square of the speed. Acceleration time with maximum inertia and the above load type is 32 seconds. Safe stall time at 100% voltage is 77 seconds cold, 61 seconds hot. Rotor inertia is 0.15 Lb-Ft Sq (0.01 Kg-meter Sq).

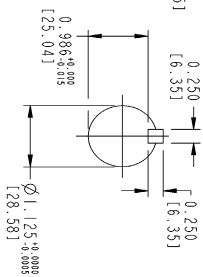
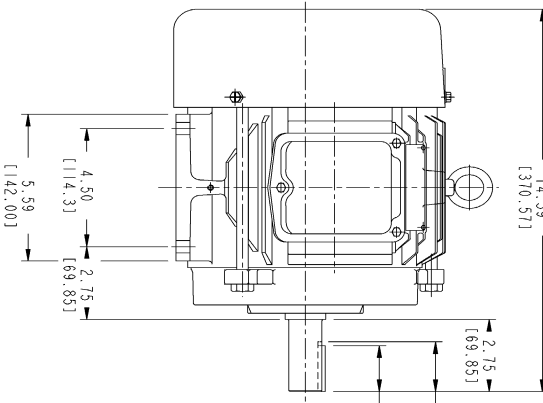
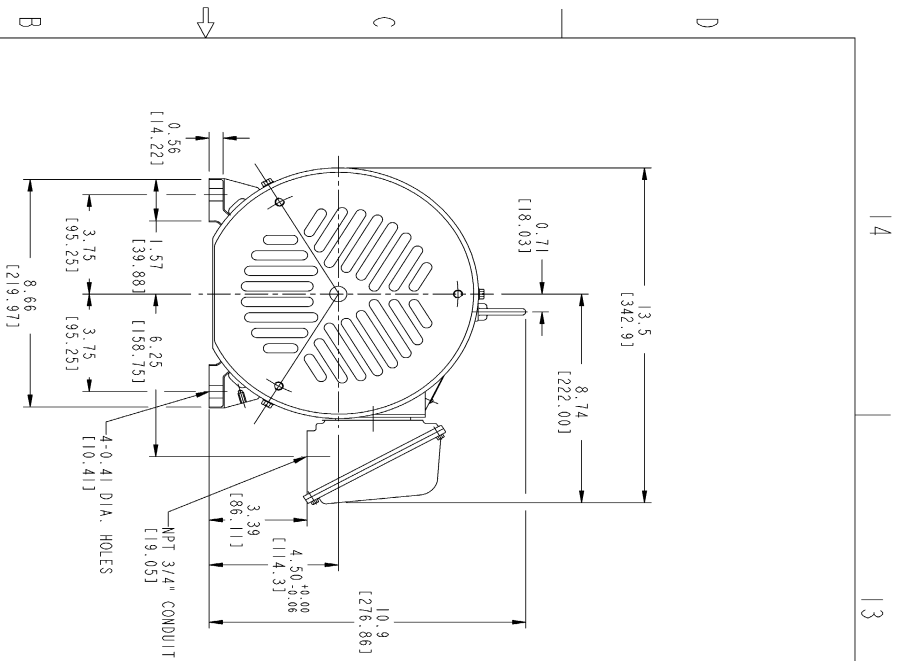
Open Circuit A-C:	0.45	Short Circuit D-C:	0.007
Short Circuit A-C:	0.012	X/R Ratio:	2.657
Stator Slots:	36	Rotor Slots:	28

Speed Torque Current Curve (First Connection, First Speed)



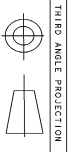
NAME:501291659 OBJECT:358B6270AA DATE:05-Dec-07 10:03:11

Marks:



- NOTES :
1. DIMENSIONS ARE IN INCHES
 2. F-1 ASM AS SHOWN
 3. F-2 ASM - HAS CONDUIT BOX ON OPPOSITE SIDE
 4. BRACKETED DIMENSIONS ARE METRIC (MILLIMETERS)
 5. IC411, IP94, IMB34 APPLY

GE PROPRIETARY AND CONFIDENTIAL INFORMATION	
This document is the property of General Electric Company. It is not to be distributed, copied, or otherwise used without the written permission of General Electric Company. It is to be returned to General Electric Company upon completion of its use. It is not to be used for any other purpose without the written permission of General Electric Company. It is not to be used for any other purpose without the written permission of General Electric Company.	
REV.	DESCRIPTION
DATE	APPROVED
358B6270AA	0



THIRD ANGLE PROJECTION

1 4

1 3

1 2

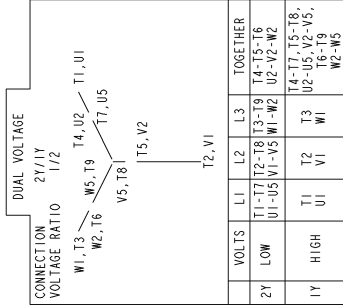
1 1

Part must conform to SI 900000 Sect. 4, Toxicity Procedure

FOR ADDITIONAL INFO REFER TO:	SIGNATURES	DATE
REFLECTED DIMENSIONS	MODEL	11/05/07
UNREFLECTED DIMENSIONS	CONDUIT	11/05/07
TOLERANCE ON:	SKETCH	11/05/07
2 PL DECIMALS ±	R. HOME	11/05/07
3 PL DECIMALS ±	QUALITY	
ANGLES ±	ISSUED	11/05/07
FRACTIONS ±	SCHEMATA	
FINISH		
MATERIAL	SOLID MODEL	MODEL NAME
GENERAL ELECTRIC COMPANY		
TITLE		
FTD - 182T TERC CE MARK		
471 CU IN CONDUIT BOX		
SCALE:	SIZE	DRAWING
C		
358B6270AA	0	0
SHEET 1 OF 1		

Marks:

Connection Diagram
GEM2034E-FIG203



NAME: 500903578 OBJECT: GEM2034E-FIG203 DATE: 03-Nov-06 13:53:10