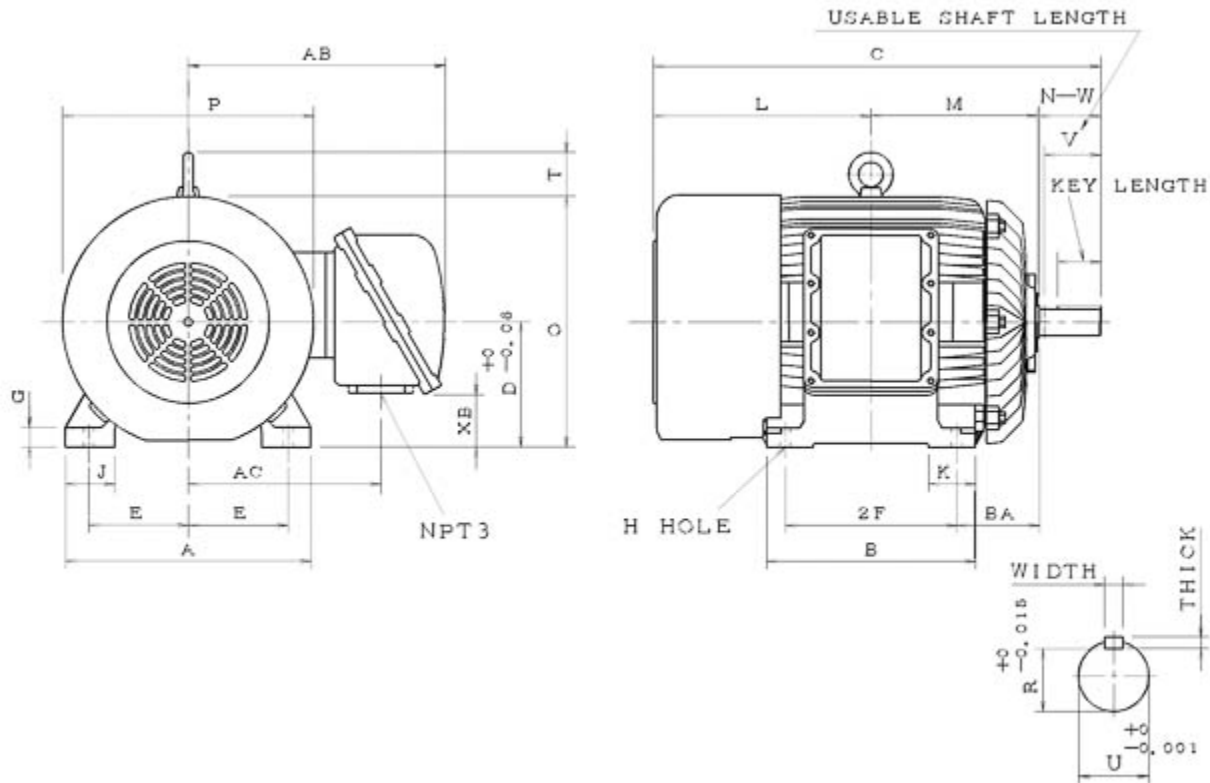


Dimensional Drawing

| | | | | | | | | |
|-----------|--------|-----|------|----|------------|---------|----|------|
| Catalogue | Model | HP | Pole | kW | Rating | Voltage | Hz | RPM |
| XH12525 | AEHHXU | 125 | 2 | 93 | Continuous | 575 V | 60 | 3600 |



AEHHXU-HMP-1 1 0

| Frame Size | Mounting | | | | | A | B | C | CD | D | |
|------------------|----------|------|----------|---------|--------------------|-------------|------------|-------|-----------------|------------|---------|
| | E | 2F | 2F2 | H | BA | | | | | | |
| 444TS | 9 | 14.5 | | 0.81 | 7.5 | 22.05 | 17.5 | 38.3 | | 11 | |
| G | J | K | L | M | O | P | T | Key | | | Keyseat |
| 1.55 | 4.35 | 4.35 | 18.8 | 14.45 | 22.25 | 23.3 | 3.55 | Width | Thick | Length | R |
| | | | | | | | | 0.625 | 0.625 | 3.03 | 2.021 |
| Terminal Housing | | | | Aux Box | | C/D Flange | | | | | |
| AA | AB | AC | XB | AE | AX | BB | AH | AK | BD | AJ | BF |
| NPT3" | 21.65 | 16.6 | 5.1 | | | | | | | | |
| Shaft Extension | | | Bearings | | Approx. Weight Lbs | SPL dBA/3ft | Ins. Class | S.F. | Drive Method | Dimensions | |
| N-W | U | V | DE | NDE | | | | | | | |
| 4.75 | 2.375 | 4.5 | 6313C3 | 6313C3 | 1560 | 85.0 | F | 1.15 | Direct Coupling | Inches | |

Technical Data Sheet

Motor Type: AEHHXU

Catalogue No: XH12525

Nameplate Information

| | | | | | | |
|-----------|------------|----------------|-------------|-------------|--------------|----------------|
| HP | Pole | RPM | Frame | Voltage | Hz | Phase |
| 125 | 2 | 3566 | 444TS | 575 | 60 | 3 |
| Enclosure | Ins. Class | Service Factor | Time Rating | NEMA Design | Rated Amb. | Rated Altitude |
| TEXP | F | 1.15 | Continuous | B | -40 to 40 °C | <3300 ft |

Typical Performance

| Efficiency (%) | | | | Power Factor (%) | | |
|-------------------|-----------------------------|---------------------------------|--------------------------------------|---------------------|-----------|--------------------------------|
| Full Load | | 3/4 Load | 1/2 Load | Full Load | 3/4 Load | 1/2 Load |
| Nom. | Min. | | | | | |
| 95.0 | 94.1 | 94.5 | 93.6 | 90.0 | 83.5 | 80.5 |
| Torque | | | | Current (A) | | |
| Full Load (lb-ft) | Locked Rotor (% FLT) | Pull Up (% FLT) | Break Down (% FLT) | No Load | Full Load | Locked Rotor |
| 184.0 | 100.0 | 80.0 | 210.0 | 29.8 | 109.5 | 726 |
| NEMA KVA Code | Inertia (WR ²) | | | Safe Stall Time (s) | | Noise Level Sound Press. dB(A) |
| | Rotor (lb-ft ²) | NEMA Load (lb-ft ²) | Max. Allowable (lb-ft ²) | Cold | Hot | |
| G | 17.0 | 113.0 | 196.0 | 52.0 | 17.0 | 85.0 |

VFD Duty Information

| Speed Range | | | VFD | | S.F. |
|-----------------|-----------------|----------------|---------|--------------|----------|
| Constant Torque | Variable Torque | Constant Power | Carrier | Type | |
| 6-60Hz | 3-60Hz | 60-90Hz | ≤ 5 kHz | VPWM or CPWM | 1.0 Only |

Additional Information

| Bearings | | Approx. Weight |
|----------|--------|----------------|
| DE | NDE | lbs |
| 6313C3 | 6313C3 | 1560 |

Hazardous Locations Information

| CSA/UL Certified | |
|---|-----------|
| Class I, Div 1, Groups D; Class II, Div 1, Groups E, F & G Class I, Zone 1, Groups IIA; Class II, Div 1, Groups E, F & G | |
| Temp Code (Sinewave / VFD) | T3B / T3B |