

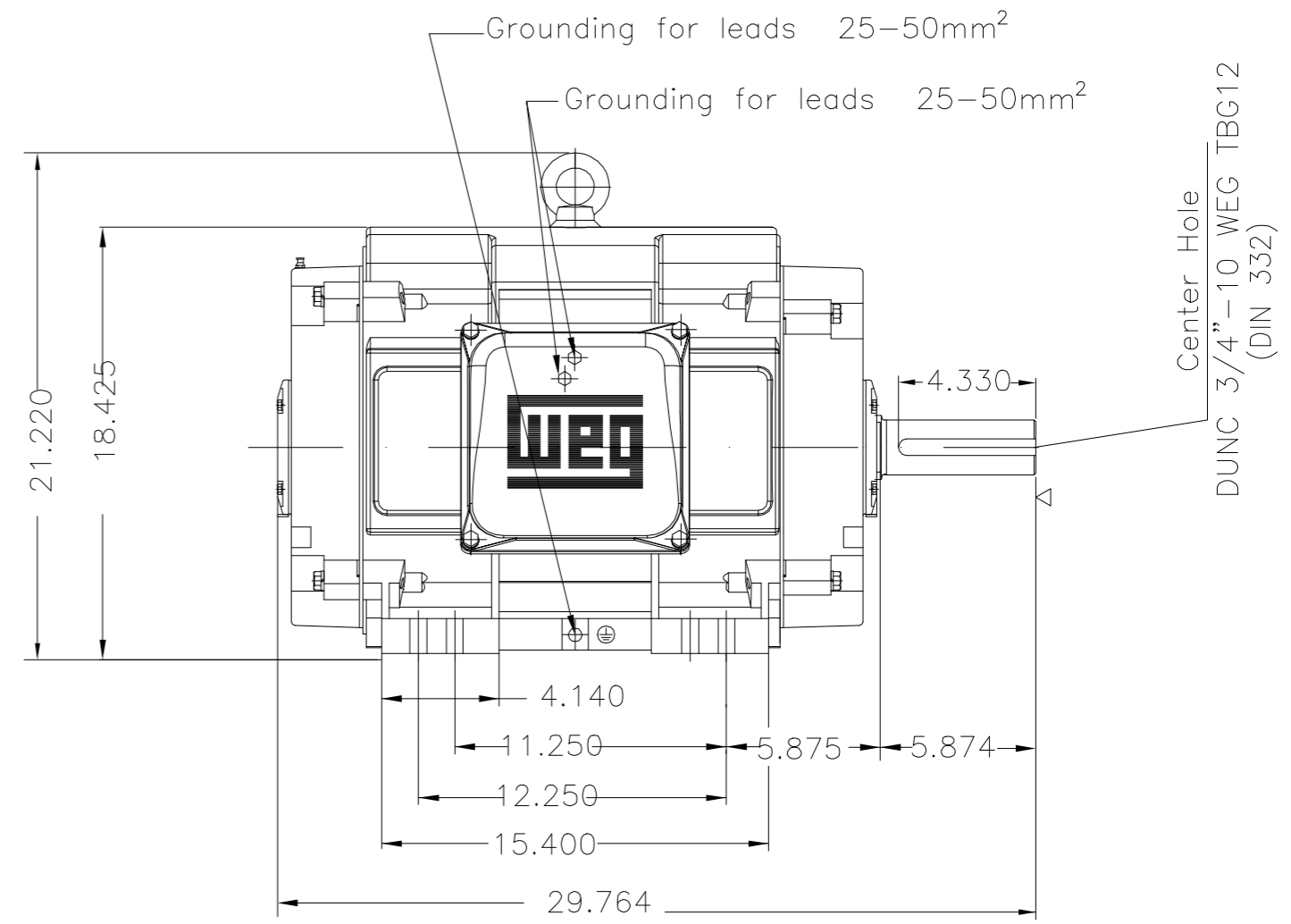
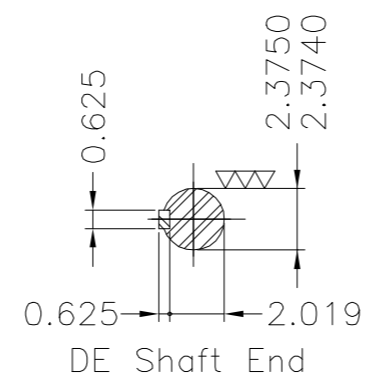
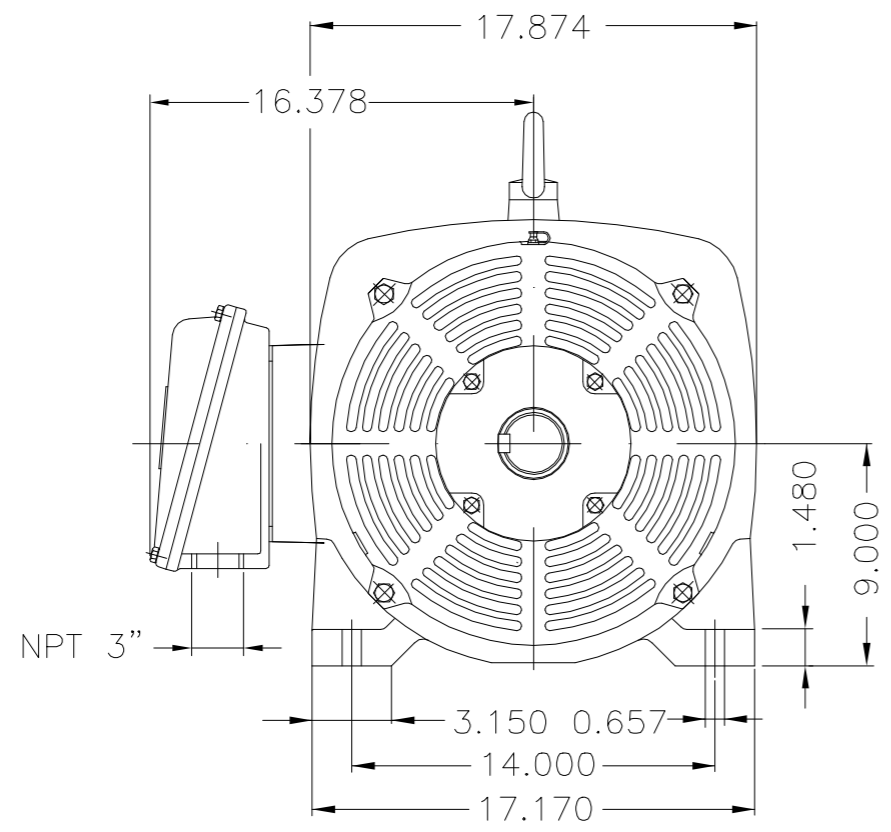
EIXO/SHAFT	
PADRÃO/STANDARD	X
OPCIONAL/OPTIONAL	
ESPECIAL/SPECIAL	

Dimensões em polegadas
Dimensions in inches

CERTIFIED WEG MOTORES
Certified document.
Not subject to changes.

THIS IS AN UPDATED REVISION, THE PREVIOUS ONE MUST BE DISREGARDED.

A
B
C
D
E



- Kit porta escova de aterramento AEGIS SGR-79.9-3MFH / Brush holder kit AEGIS SGR-79.9-3MFH
- Anel interno especial de fixação do rolamento dianteiro / Special internal fastening bearing cap of DE bearing
- Plano de pintura 203A / Painting plan 203A
- Forma construtiva NEMA F-1 / Mounting NEMA F-1
- Forma construtiva B3D / Mounting B3R(D)

WEG ELECTRIC CORPORATION - WEC

500000897148		ALT. PARA NORMAL	DWAGNER	PETTINE	31.05.2014	01
500000865506		DOCUMENTO NOVO	SCARMAGNANI	DAYANAR	11.03.2014	00
ECM	LOC	SUMMARY OF MODIFICATIONS	EXECUTED	CHECKED	RELEASED	DATE VER
EXECUTED	SCARMAGNANI	THREE PHASE NEMA P. EFF MOTOR FRAME 364/5T IP23	10002752608			
CHECKED			000	01		
RELEASED	DAYANAR		SHEET 1 / 1			
REL DT	11.03.2014	WMO	JARAGUA DO SUL	ENGENHARIA DE PRODUTO		

40 HP 06 Poles 60Hz 413355988/0 MEC A

UNCONTROLLED COPY

RELEASED

ZME A3