

No reproduction of this drawing is allowed without written permission of WEG Motores

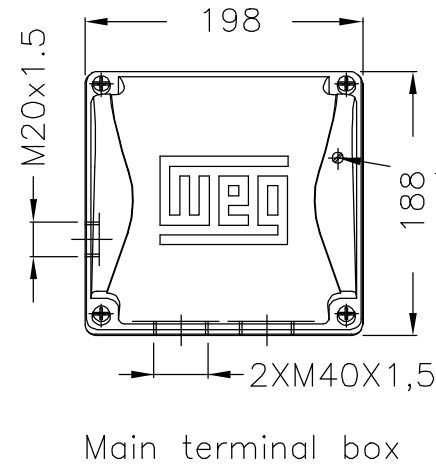
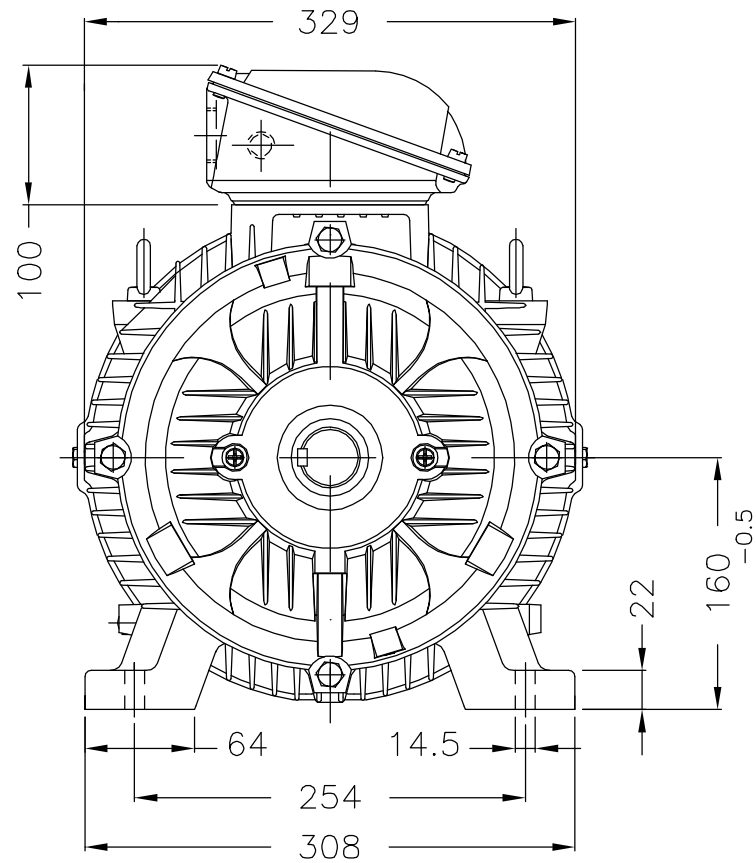
EIXO	
PADRÃO	X
OPCIONAL	
ESPECIAL	

Dimensões em mm
Dimensions in mm

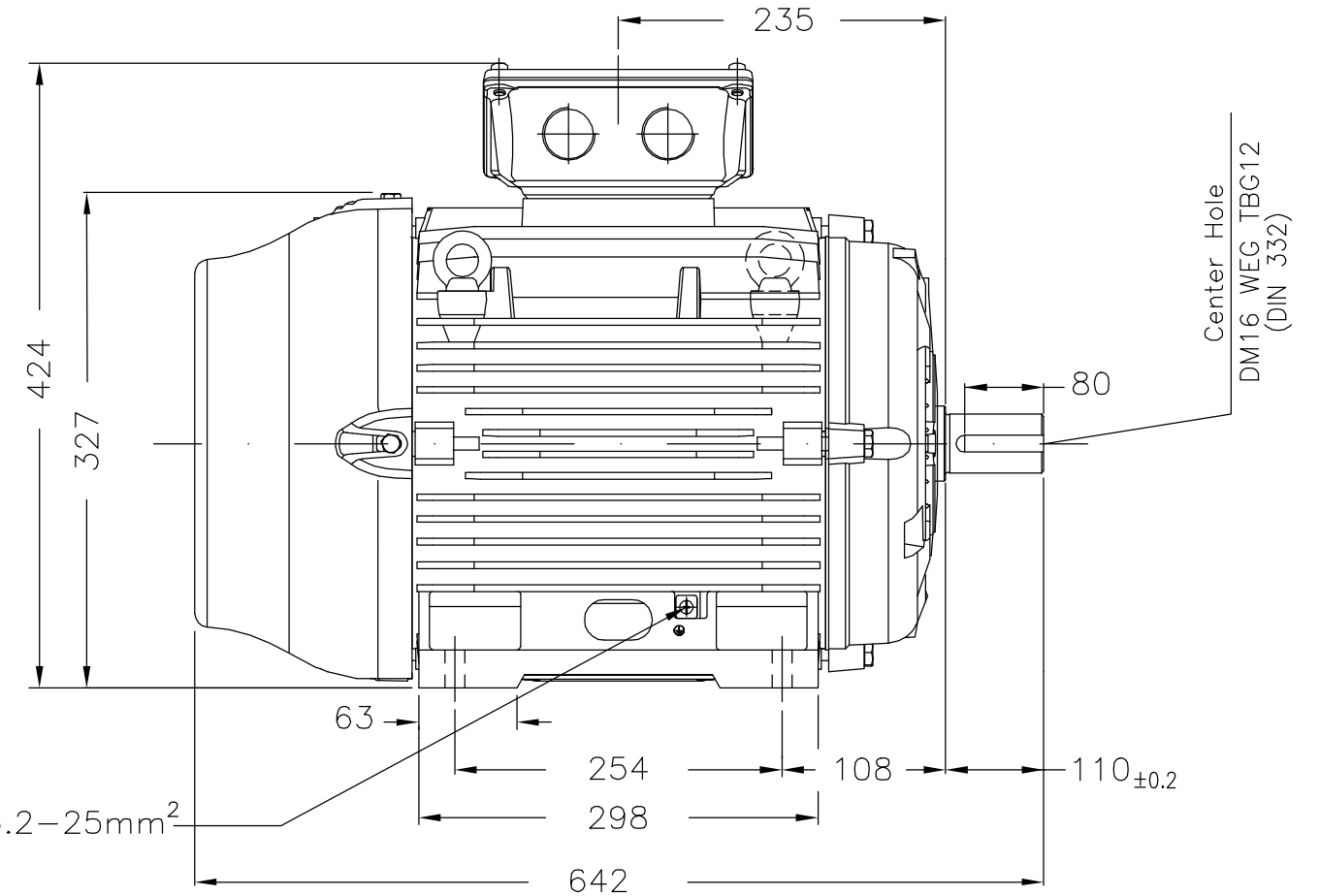
CERTIFIED WEG MOTORES

Certified document.
Not subject to changes.

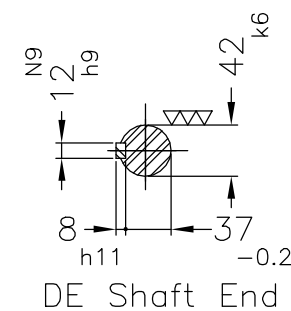
THIS IS AN UPDATED REVISION, THE PREVIOUS ONE MUST BE DISREGARDED.



Grounding for leads 5.2–25mm²



Grounding for leads 5.2–25mm²



- Plano de pintura 202P / Painting plan 202P
- Placa com certificação especial (Exn) / Nameplate with special certification (Ex-n)
- Tampão rosado – M20 (ATEX) / M20 threaded plug (ATEX)
- Motor autodeclarado com marcação para gás e pó / Self-certified motor to Zone 2 and 22
- Cabo de aterramento dentro da caixa de ligação, interligando os pontos de aterramento da carcaça e da caixa / Equipotential bonding conductor between earthing connection studs located inside the terminal box
- Proteção térmica desligamento – Termistor 155°C / Thermistors 155°C To trip
- Com graxeira / With grease fitting
- Tampão rosado – plástico / Plastic threaded plug
- Proteção térmica alarme – Termistor 140°C / Thermistors 140°C – Alarm
- Ventilador de plástico condutivo / Conductive plastic fan
- Tampão rosado – plástico (ATEX) / Plastic threaded plug (ATEX)
- Forma construtiva B3T / Mounting B3T

WEG ELECTRIC CORPORATION – WEC

500001037256	REMOVED REPRESENTATION ATERR	ALESOMZ	ODORIZZI	18.07.2015	03
500000668094	ALTERADO PLANO DE PINTURA	PMAUERBERG	DALTONR	26.06.2014	02
ECM ECM	LOC LOC	RESUMO MODIFICAÇÃO SUMMARY OF MODIFICATIONS	EXECUTADO EXECUTED	VERIFICADO CHECKED	LIBERADO RELEASED
EXEC. /EXECUTED	SCARMAGNANI	THREE PHASE W22 MOTOR - HIGH EFF	10001644592		
VERIF. /CHECKED		FRAME 160L IP55	000 03		
LIBER. /RELEASED	DFRANCISCO		000 03		
DATA LB /REL DT	05.03.2012	WMO	JARAGUA DO SUL	ENGENHARIA DE PRODUTO	FOLHA/SHEET 1 / 1

18.5 kW 02 Poles 50 Hz 412406609/01 ELET/MEC