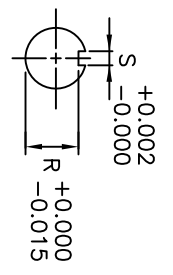
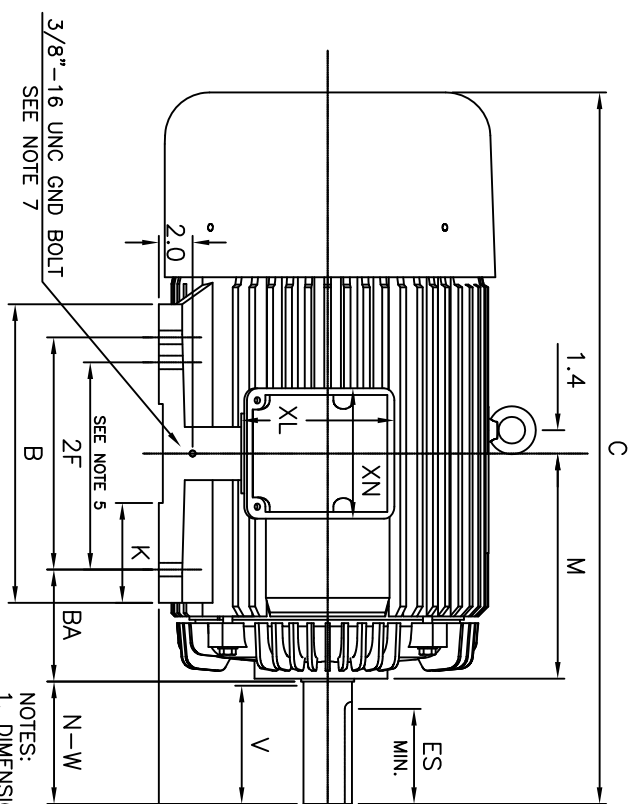
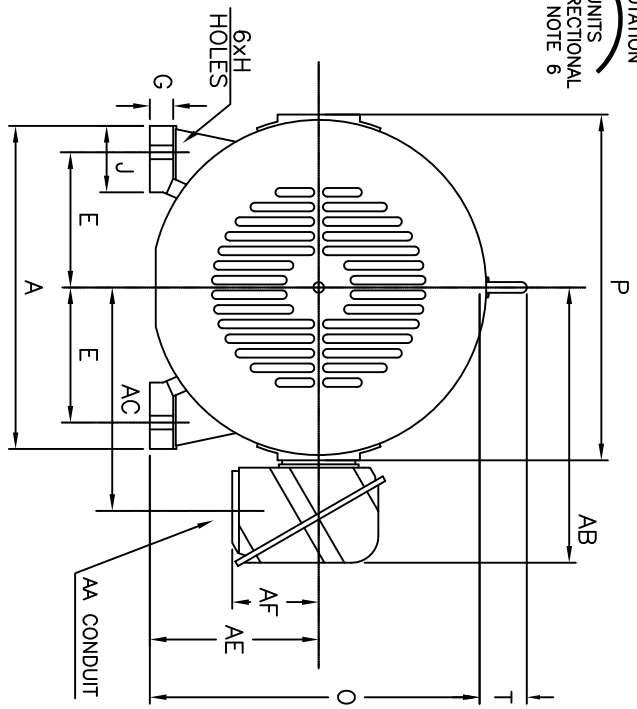


ROTATION  
UNITS  
BI-DIRECTIONAL  
SEE NOTE 6



UNITS: INCHES

FRAME SIZE	MOTOR DIMENSIONS											CONDUIT BOX							
	A	B	C	D	G	J	K	M	O	P	T	A <sub>M</sub> [N <sub>T</sub> ]	AB	AC	AE	AF	XL	XN	
404TS/405TS	19.2	17.7	39.2	10.00	1.4	4.0	5.9	14.7	19.5	20.5	2.8	3.00	16.5	13.3	10.00	5.2	9.1	7.7	
404T/405T	19.2	17.7	42.2	10.00	1.4	4.0	5.9	14.7	19.5	20.5	2.8	3.00	16.5	13.3	10.00	5.2	9.1	7.7	
FRAME SIZE	MOUNTING											SHAFT EXTENSION			KEY SEAT		BEARINGS		MAXIMUM WEIGHT
	E	2F	H	BA	NA-W	V	U	R	S	ES	LS	OS							
404TS/405TS	8.00	12.25/13.75	0.81	6.62	4.25	4.00	2.125	1.845	0.500	2.75	6.317C3	6.313C3	1.380 lbs.						
404T/405T	8.00	12.25/13.75	0.81	6.62	4.25	4.00	2.875	2.450	0.750	5.62	6.317C3	6.313C3	1380 lbs.						

- NOTES:
- DIMENSION V REPRESENTS LENGTH OF STRAIGHT PART OF SHAFT
  - MAIN CONDUIT BOX MAY BE ROTATED IN 90° INCREMENTS
  - KEY DIMENSIONS EQUAL S x S x 5.62 FOR T AND S x S x 2.75 FOR TS (MOTOR SUPPLIED WITH KEY)
  - MOTOR WEIGHT SHOWN IS MAXIMUM HORSEPOWER IN FRAME
  - THIS DIMENSION EQUALS 2F FOR 404T/TS MOUNTING
  - STANDARD PRODUCT USE BI-DIRECTIONAL FAN. OPPOSITE ROTATION AVAILABLE ONLY BY CONNECTION CHANGE
  - FRAME GROUND BOLT STANDARD ON 841 PRODUCT

CUSTOMER: \_\_\_\_\_ MOTOR MODEL NO.: \_\_\_\_\_ TAG NO's.: \_\_\_\_\_  
 P.O. NO.: \_\_\_\_\_ HP: \_\_\_\_\_ VOLTAGE: \_\_\_\_\_ RPM(SYN.): \_\_\_\_\_ Hz: \_\_\_\_\_  
 FRAME SIZE: \_\_\_\_\_ PRODUCT TYPE: EGP III 840 & 841  
 COMMENTS: \_\_\_\_\_  
 \_\_\_\_\_  
 \_\_\_\_\_  
 PER: \_\_\_\_\_ DATE: \_\_\_\_\_

TOSHIBA RESERVES THE RIGHT TO MAKE CHANGES OF TECHNICAL IMPROVEMENT AND THE DATA MAY CHANGE WITHOUT NOTICE  PRELIMINARY  
 DO NOT USE FOR CONSTRUCTION, INSTALLATION, OR APPLICATION PURPOSES UNLESS THE DRAWING IS MARKED AS CERTIFIED  CERTIFIED

STANDARD (NO AUX. BOXES)  
 RTD AUX. BOX  
 SPACE HEATER AUX. BOX  
 BEARING RTD's

**TOSHIBA**  
 TOSHIBA INTERNATIONAL CORPORATION

TOTALLY-ENCLOSED FAN-COOLED  
 HORIZONTAL FOOT-MOUNTED  
 3 PHASE INDUCTION MOTOR  
 F1 ASSEMBLY

**XT SERIES**  
 VISIT OUR WEBSITE AT:  
 www.toshiba.com/ind