

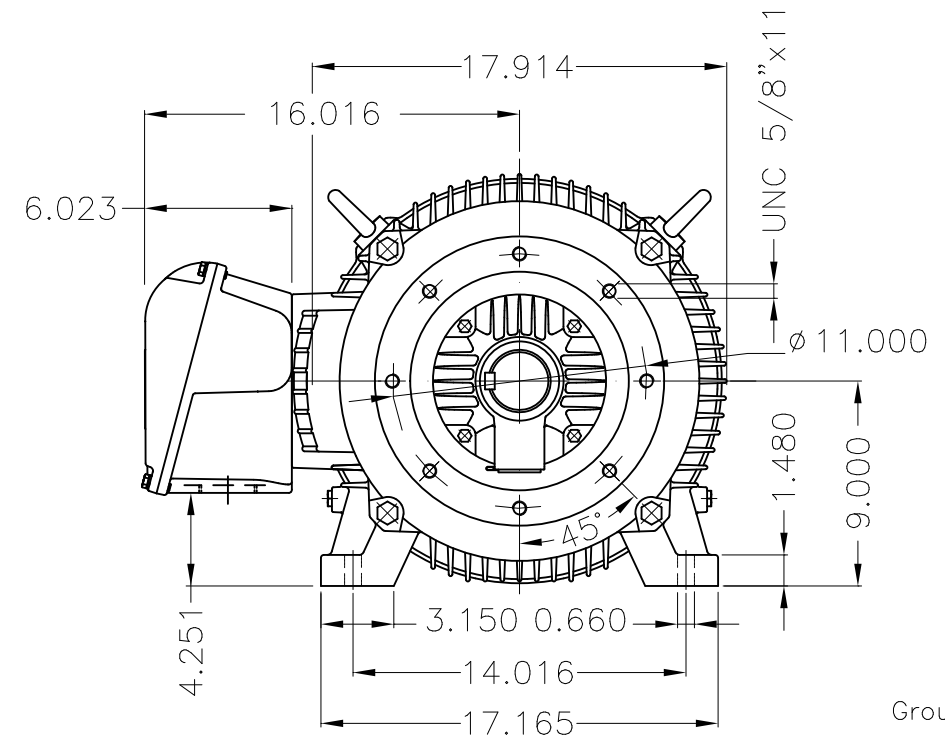
Dimensões em polegada
Dimensions in inches

THIS IS AN UPDATED REVISION, THE
PREVIOUS ONE MUST BE DISREGARDED.

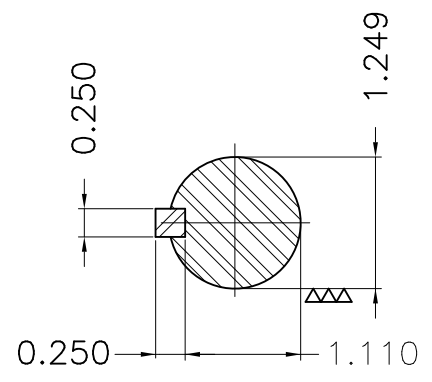
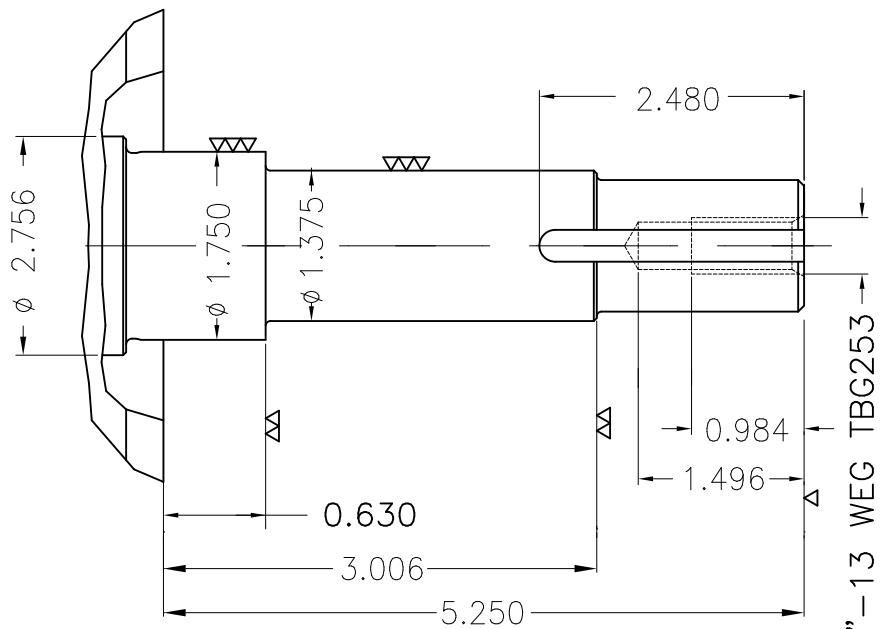
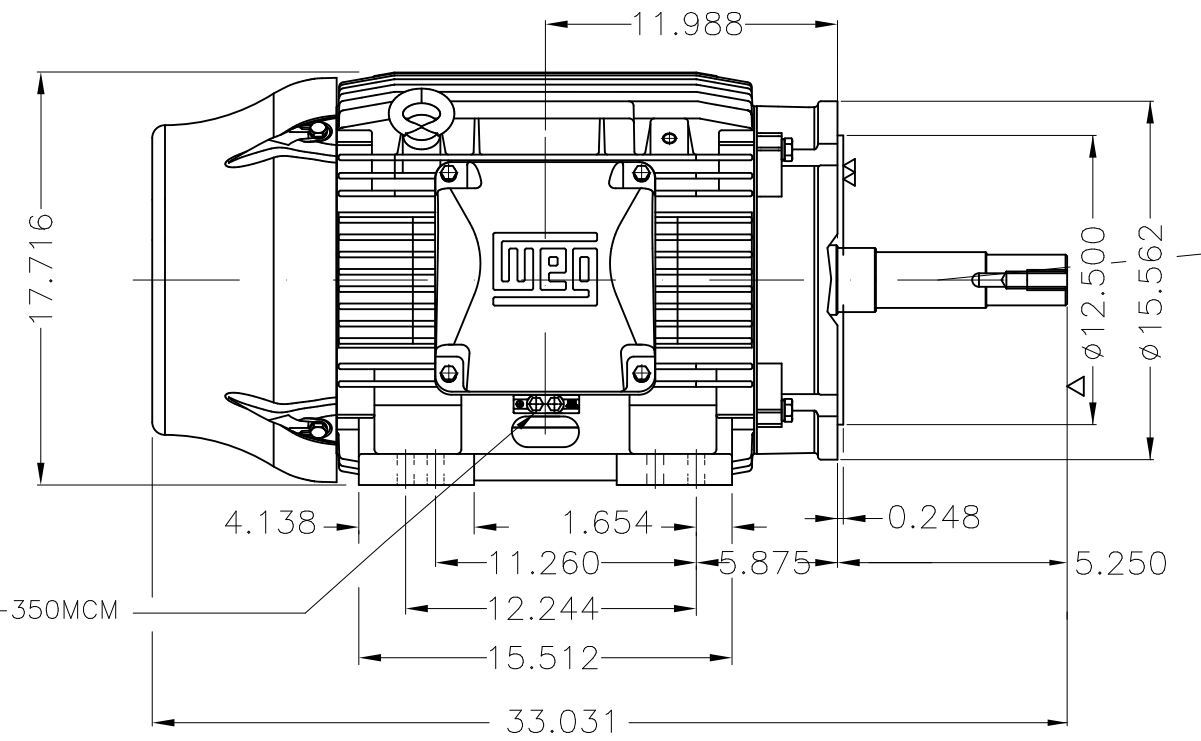


Grounding for leads 25–50 mm² / 3–1 AWG

Main terminal box



Grounding for leads 25–185 mm² / 3AWG–350MCM



Color RAL 5009
Painting plan 203A
Mounting B34R(D)

| ECM | LOC | SUMMARY OF MODIFICATIONS | | | EXECUTED | CHECKED | RELEASED | DATE | VER |
|----------|------------|--------------------------|---|---------------------|----------|---------|----------|------|-----|
| EXECUTED | USERADMIN | | THREE PHASE MOTOR W22 NEMA PREMIUM EFF. | | | | | | |
| CHECKED | | | FRAME 364/5JM IP55 TEFC | | | | | | |
| RELEASED | | | WEG code: 12712310 | | | | | | |
| REL DT | 24.07.2017 | WMO | Jaragua do Sul | Product Engineering | SHEET | 1 / 1 | | | |

60 HP 04 Poles 60Hz

