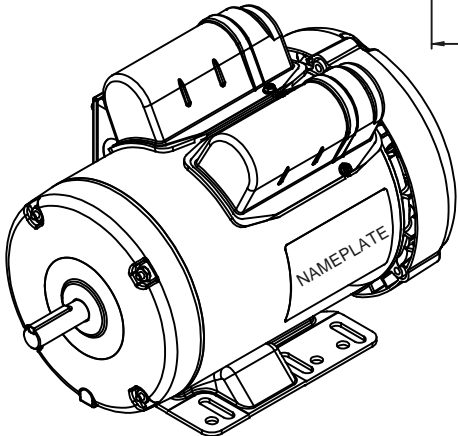
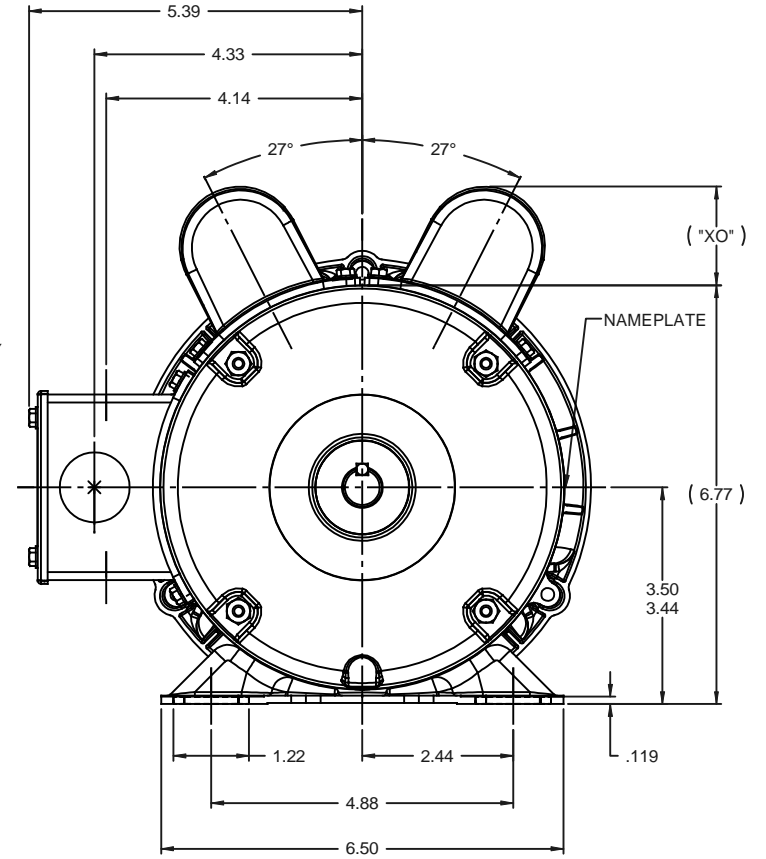
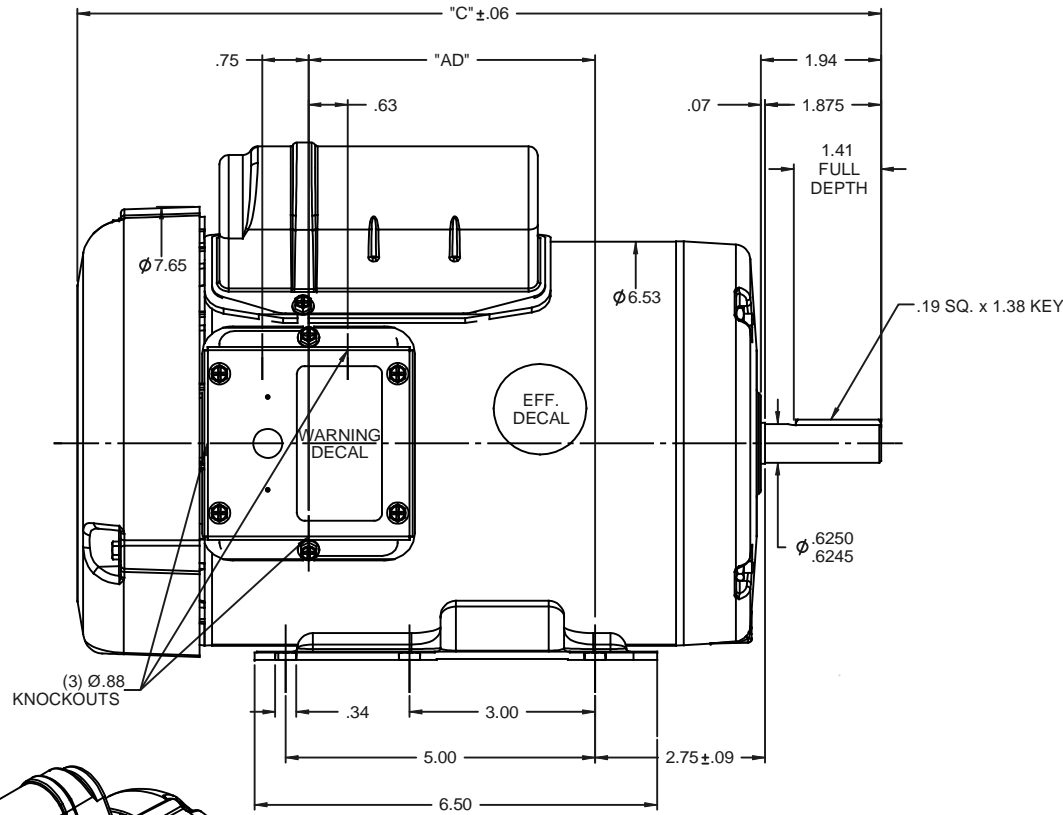


RBC PROPRIETARY AND CONFIDENTIAL INFORMATION
 This document is the property of REGAL BELOIT CORPORATION ("RBC") including its subsidiaries and divisions and contains proprietary information of RBC. This document is loaned on the express condition that neither it nor the information contained therein shall be disclosed to others without the express written consent of RBC, and that the information shall be used by the recipient only as approved expressly by RBC. This document shall be returned to RBC upon its request. This document may be subject to certain restrictions under U.S. export control laws and regulations.



DASH NO.	"C"	"AD"	CAP DASH	"XO"
700	12.48	4.13	A	1.15
750	12.98	4.63	B	1.60
800	13.48	5.13	C	1.82
850	13.98	5.63		

NOTES:
 1) GASKETS THROUGHOUT.

REVISION		BY & DATE	CHK	ANG	FINISH	PAGE 1 OF 1	
THIRD ANGLE PROJECTION			RFP	08/11/08	PREV	SIZE	DRAWING NO
						B	028862

TOLERANCES UNLESS SPECIFIED		LEESON ELECTRIC MOTORS GEARMOTORS AND DRIVES		DRAWN
DEC	INCHES			GRB 08/11/08
x	±.1			CHK DJ 08/11/08
.xx	±.03	TITLE	OUTLINE - 56H FRAME	APPR
.xxx	±.005		TEFC - RIGID	SCALE 1:2
.xxxX	±.0005	MATL		REF OL110253
				FMF