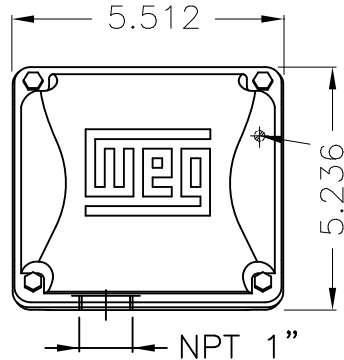
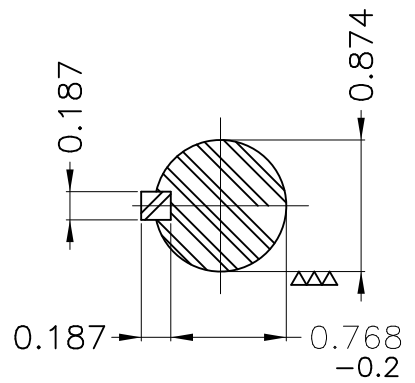
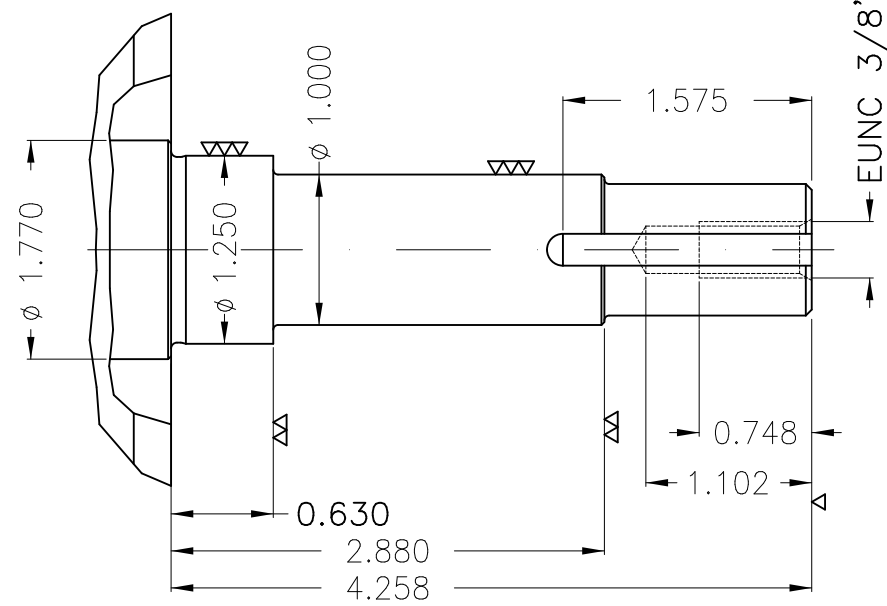
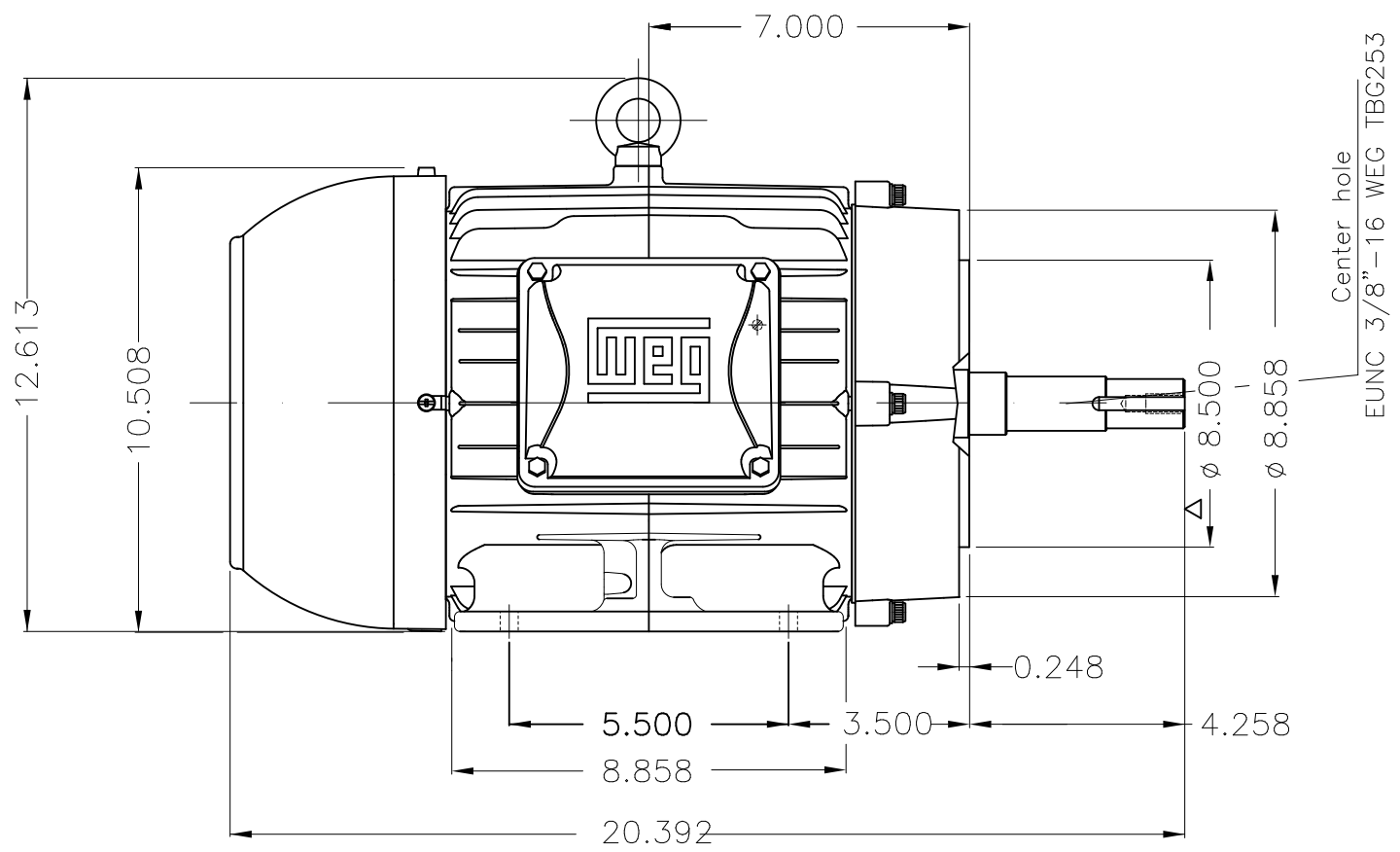
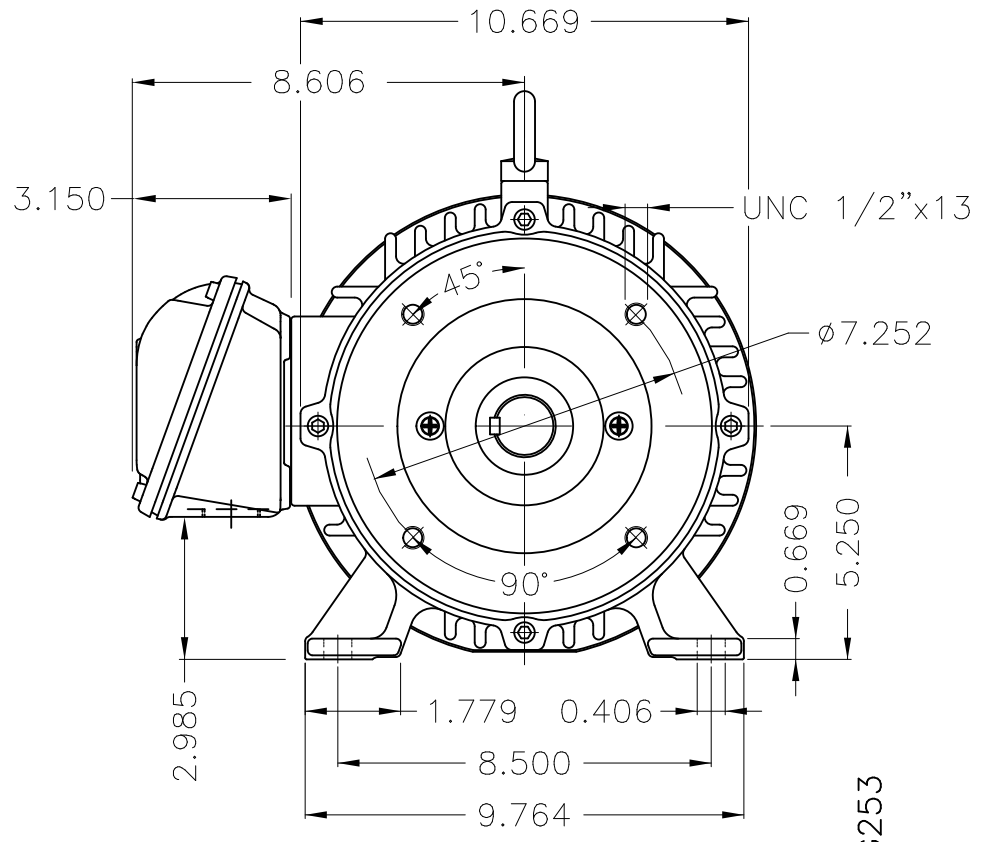


Dimensões em polegada
Dimensions in inches

THIS IS AN UPDATED REVISION, THE
PREVIOUS ONE MUST BE DISREGARDED.



Main terminal box



15 HP 02 Poles 60Hz

Color RAL 5009		Painting plan 207A		Mounting B34R(D)							
ECM	LOC	SUMMARY OF MODIFICATIONS				EXECUTED	CHECKED	RELEASED	DATE	VER	
EXECUTED	USERADMIN	THREE PHASE MOTOR W22 NEMA PREMIUM EFF.									
CHECKED		FRAME 213/5JM IP55 TEFC									
RELEASED		WEG code: 11708306									
REL DT	24.07.2017	WMO	Jaragua do Sul	Product Engineering	SHEET	1 / 1					