

# Product Information Packet

January 12, 2017

Data shown is for the current revision model #. Ensure your nameplate model # matches.

<b>Model Number:</b>	<b>5KS364CAG208B</b>
<b>Catalog Number:</b>	<b>E9289</b>
<b>Instruction Manual:</b>	GEI-56128
<b>Connection Diagram:</b>	GEM2034E-FIG7
<b>Outline Drawing:</b>	225B5200AL

Accessory Connection Diagrams			
<b>Bearing Thermocouple:</b>	None	<b>Heater:</b>	None
<b>RTD:</b>	None	<b>Thermistor:</b>	None
<b>Thermostat:</b>	3027JE-2	<b>Winding Thermocouple:</b>	None
<b>Bearing RTD:</b>	None		

Table of Contents	
Specification	01
Performance Characteristics	02
Outline Drawing	03
Connection Drawing(s)	04

**Marks:**

<b>MODEL NUMBER:</b>	<b>5KS364CAG208B</b>	<b>Estimated Weight:</b>	1050 Lbs
<b>Outline Drawing:</b>	225B5200AL	<b>Time Rating:</b>	CONT
<b>Connection Diagram:</b>	GEM2034E-FIG7	<b>Enclosure:</b>	TEFC
<b>Instruction Book:</b>	GEI-56128	<b>Encl Construction:</b>	XP
<b>Design Code:</b>	36ED1026A	<b>Ambient Max(°C):</b>	40
<b>Type:</b>	KS	<b>Alt Ambient Max(°C):</b>	XX
<b>Frame:</b>	364T	<b>Insulation Class:</b>	F
<b>Phases:</b>	3	<b>NEMA Design:</b>	A
<b>Poles:</b>	4	<b>Nominal Efficiency:</b>	95.0 %
<b>Output Power:</b>	60HP 44.4KW	<b>Guaranteed Efficiency:</b>	94.1
<b>RPM:</b>	1785	<b>3/4 Load Efficiency:</b>	95.9
<b>Voltage:</b>	460	<b>KVA Code:</b>	G
<b>Hertz:</b>	60	<b>Max KVAR:</b>	23.8
<b>Amps - FL:</b>	74.4	<b>Power Factor:</b>	79.5
<b>Service Factor:</b>	1.0	<b>Bearing - DE:</b>	6314ZC3
<b>Alt Service Factor:</b>	XX	<b>Bearing - ODE:</b>	6314ZC3

**Enclosure is Totally Enclosed Fan-Cooled**

---

**Stamped Nameplate Notes:**

TEMP CODE T3C  
THERMOSTAT LEADS TB1-TB2:TRIP

**Additional Information:**

STAMP NP235A3573 AS FOLLOWS:  
CL I GR C&D CL II GR F&G  
4 POLE, T SHAFT EXTN  
EXPLOSION PROOF  
NC THERMOSTAT LEADS TO MAIN CONDUIT BOX  
920 Cu. In. CBOX

**Performance Characteristics**

1st Winding 1st Connection

**Design: 36ED1026A**

**Marks:**

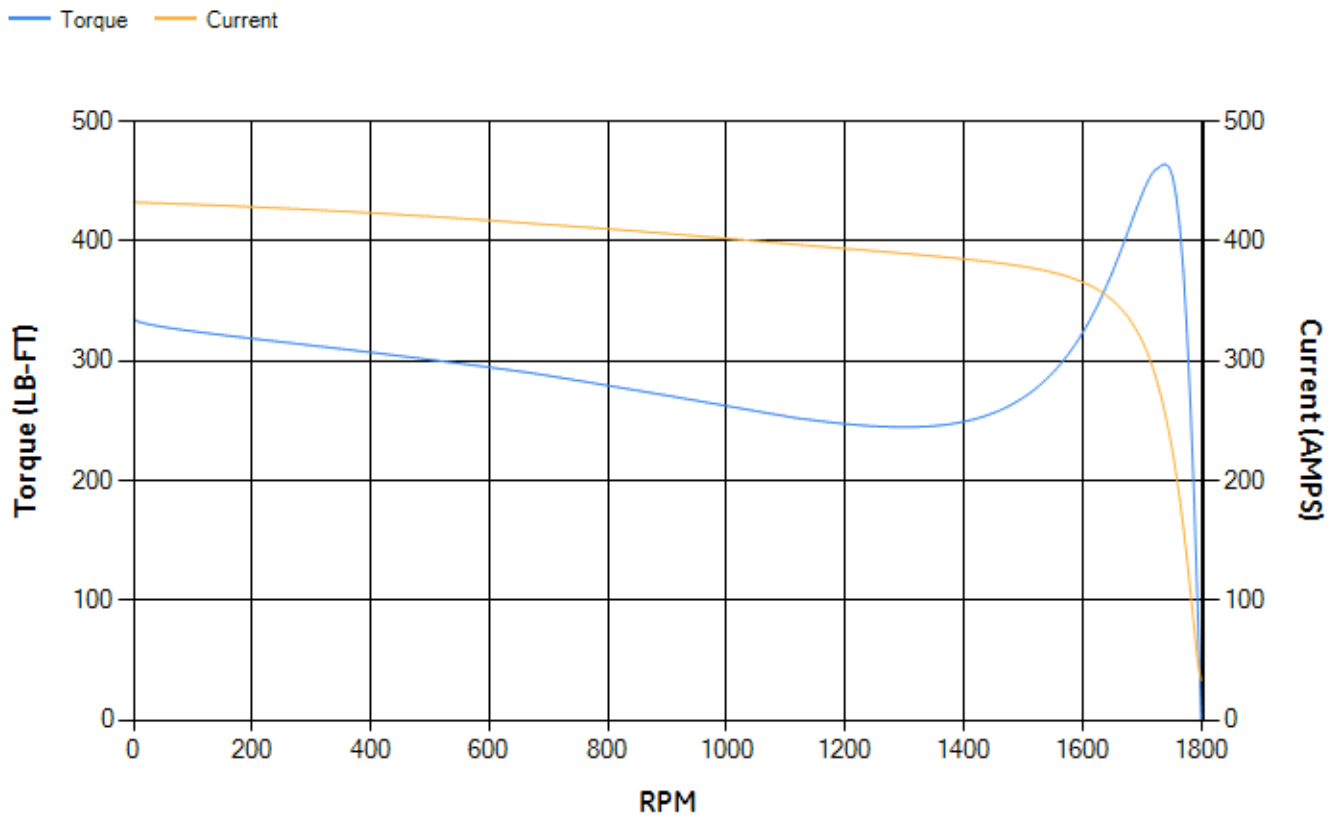
LOAD %	125.0	115.0	100.0	75.0	50.0	25.0	0.0
% EFF	95.71	95.82	96.12	95.86	95.21	92.35	0.00
% PF	82.25	81.43	79.61	74.13	62.96	40.6	3.12
AMPS	89.18	82.77	73.38	59.26	46.84	37.44	33.11

<b>TORQ(FL)#FT</b>	176.41	<b>TORQ(LR)%FL</b>	190.1	<b>TORQ(BD)%FL</b>	261.25
<b>AMPS(LR)</b>	432.41	<b>PF AT START</b>	0.34		

This motor is capable of two cold or one hot start with a maximum connected load inertia of 1715 Lb-Ft Sq (72.2 Kg-meter Sq) at 100% voltage, where the load torque varies with the square of the speed. Acceleration time with maximum inertia and the above load type is 43 seconds. Safe stall time at 100% voltage is 76 seconds cold, 51 seconds hot. Rotor inertia is 12.06 Lb-Ft Sq (0.51 Kg-meter Sq).

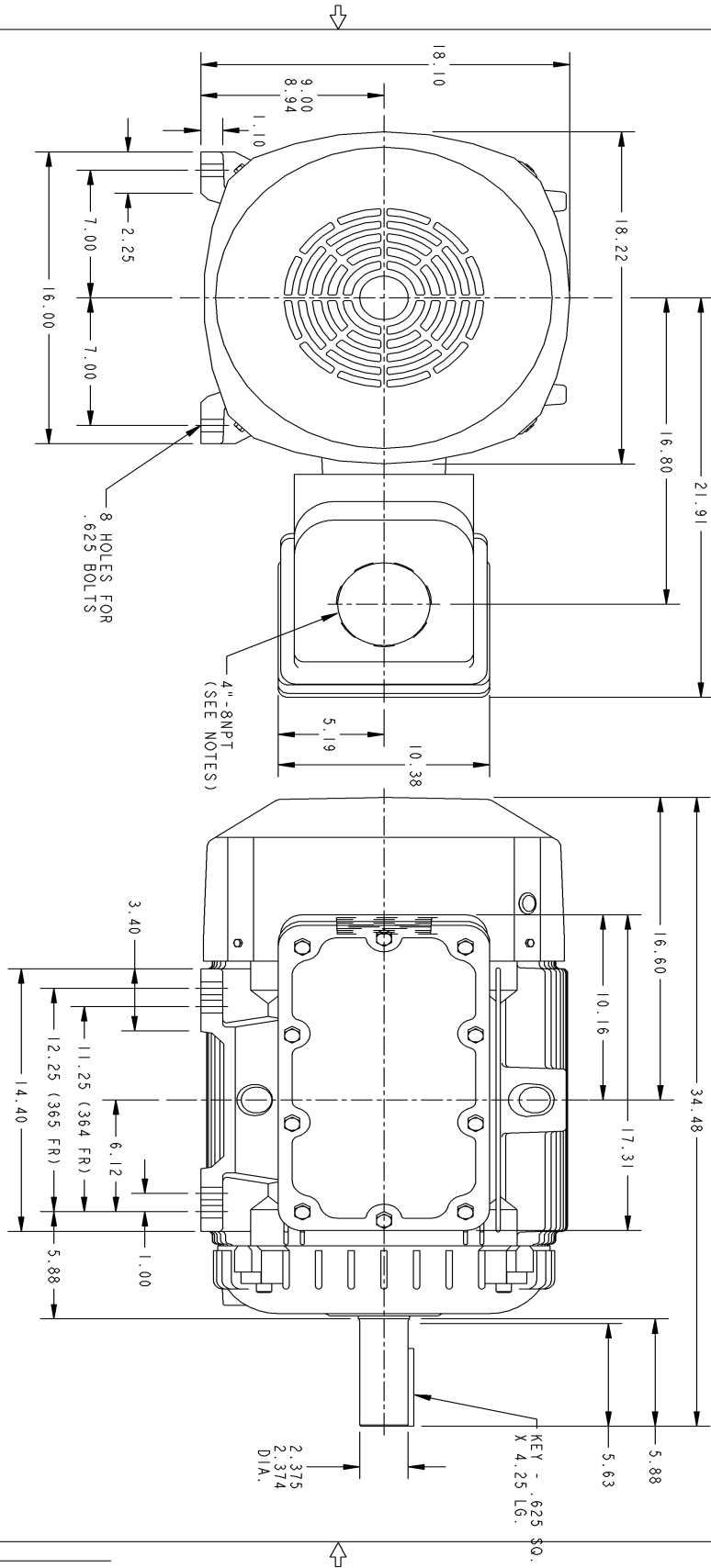
<b>Open Circuit A-C:</b>	0.676	<b>Short Circuit D-C:</b>	0.037
<b>Short Circuit A-C:</b>	0.042	<b>X/R Ratio:</b>	13.901
<b>Stator Slots:</b>	60	<b>Rotor Slots:</b>	50

**Speed Torque Current Curve (First Connection, First Speed)**

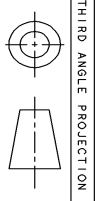


NAME: PT-147 OBJECT: 225B5200AL DATE: 27-Aug-02 14:52:27

Marks:



- NOTES:
1. CONDUIT BOX MAY BE PLACED WITH THE ENTRANCE ON EITHER SIDE OR UP.
  2. F-1 ASM AS SHOWN.
  3. F-2 ASM-COND. BOX ON OPPOSITE SIDE.



SHEET 8 OF 8  
 DWG NO 225B5200AL  
 SH REV

REVISIONS			
REV	DESCRIPTION	DATE	APPROVED

UNLESS OTHERWISE SPECIFIED  
 DIMENSIONS ARE IN INCHES  
 TOLERANCES ARE:  
 1. FRACTIONS ± .005  
 2. PL DECIMALS ± .010  
 3. PL DECIMALS ± .015  
 ANGLES ± .5°  
 HOLE POSITION ± .010  
 MATERIAL: STEEL  
 APPLIED PRACTICES: ASME Y14.5

SIGNATURES	DATE
DRAWN: GIKADAM	26-AUG-02
CHECKED: GIKADAM	26-AUG-02
ENGINEER: GIKADAM	26-AUG-02
ISSUED: GIKADAM	26-AUG-02

**GE Motors**  
 Fort Wayne, Indiana

364-365 "T" XP (920 CU. IN. BOX)

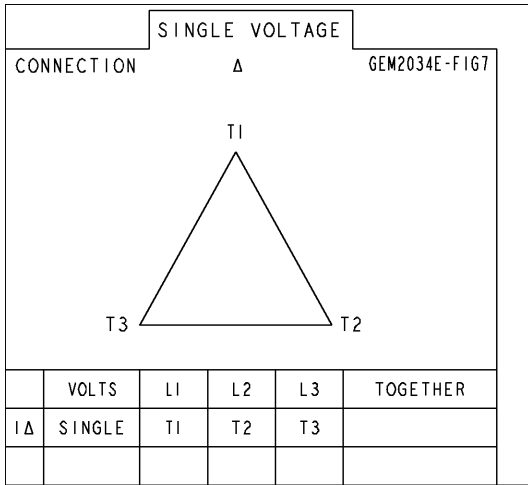
OUTLINE

CAD NO: OH360:225B5200AL  
 SIZE: FSCM NO: B  
 SCALE: .19

DWG NO: 225B5200AL  
 SHEET: 1 OF 1

Marks:

**Connection Diagram**  
GEM2034E-FIG7



**Thermostat Connection**  
3027JE-2

FIG. 2  
THERMOSTAT CONN.

