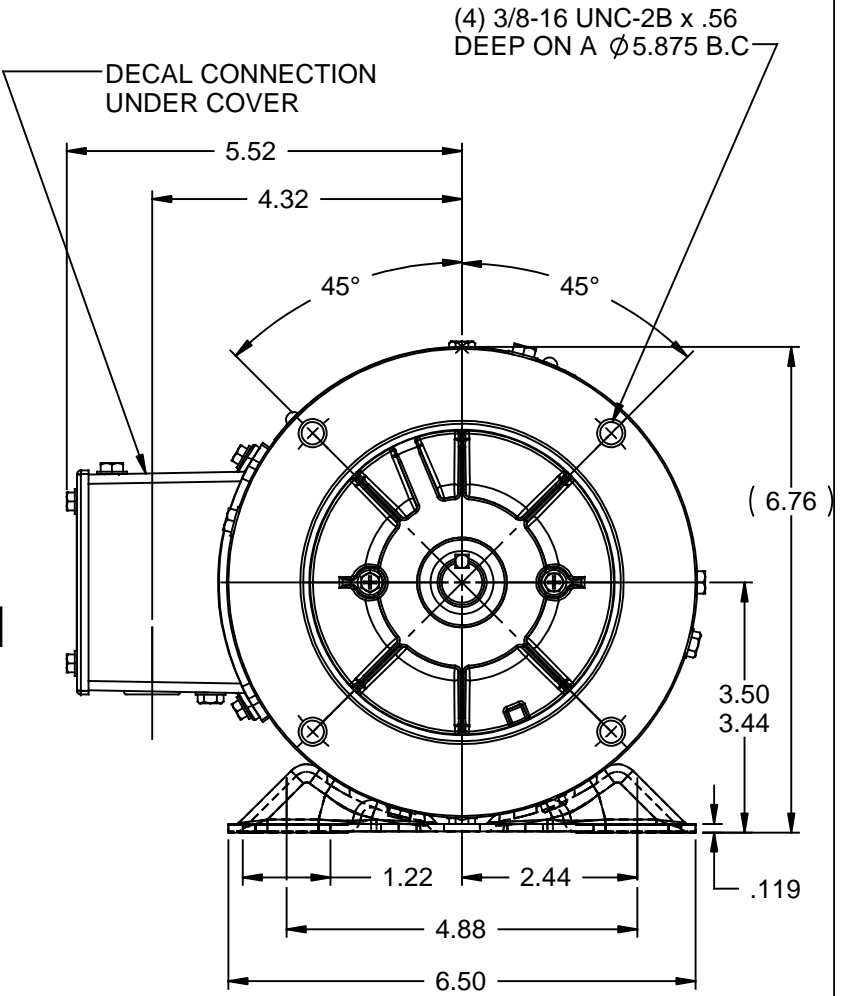
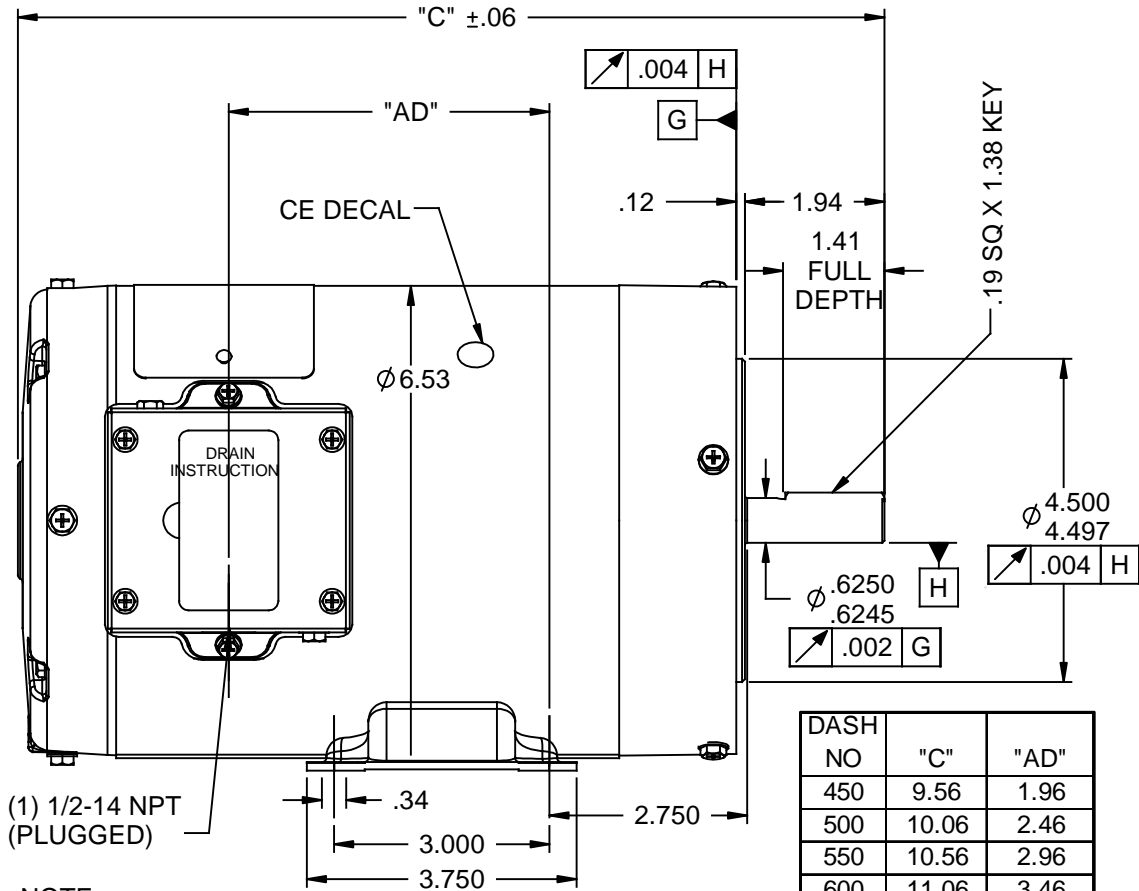


This document is the property of REGAL BELOIT CORPORATION ("RBC") including its subsidiaries and divisions and contains proprietary information of RBC. This document is loaned on the express condition that neither it nor the information contained therein shall be disclosed to others without the express written consent of RBC, and that the information shall be used by the recipient only as approved expressly by RBC. This document shall be returned to RBC upon its request. This document may be subject to certain restrictions under U.S. export control laws and regulations.



| DASH NO | "C" | "AD" |
|---------|-------|------|
| 450 | 9.56 | 1.96 |
| 500 | 10.06 | 2.46 |
| 550 | 10.56 | 2.96 |
| 600 | 11.06 | 3.46 |
| 650 | 11.56 | 3.96 |
| 700 | 12.06 | 4.46 |
| 750 | 12.56 | 4.96 |
| 800 | 13.06 | 5.46 |

- NOTE:
- 1) SHAFT SEALS & V-RINGS
 - 2) DRAIN HOLES IN BOTH ENDBELLS & CONDUIT BOX
 - 3) GASKETS THROUGHOUT
 - 4) STAINLESS STEEL SHAFT, HARDWARE & NAMEPLATE

| | | | | | | | |
|------------------------|----------|-----------------------------|--------|----------------------------|--------|---------------------|--|
| | | TOLERANCES UNLESS SPECIFIED | | | | DRAWN JD 07/01/2011 | |
| | | DEC | INCHES | | | CHK | |
| | | .X | ±.1 | | | APPR | |
| | | .XX | ±.03 | | | SCALE 3:8 | |
| | | .XXX | ±.005 | | | REF 028834ME | |
| | | .XXXX | ±.0005 | MAT'L WASHGUARD | | FMF 56T17V15501 | |
| NO | REVISION | BY & DATE | CHK | ANG ±1/2° | FINISH | PAGE OF | |
| THIRD ANGLE PROJECTION | | RFP | | PREV | SIZE A | DRAWING NO 607-0022 | |
| | | | | NETWORK FILE NAME 607-0022 | | REV | |