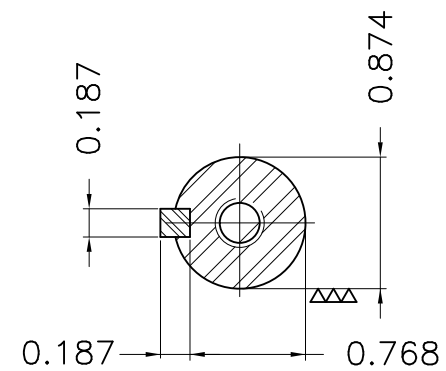
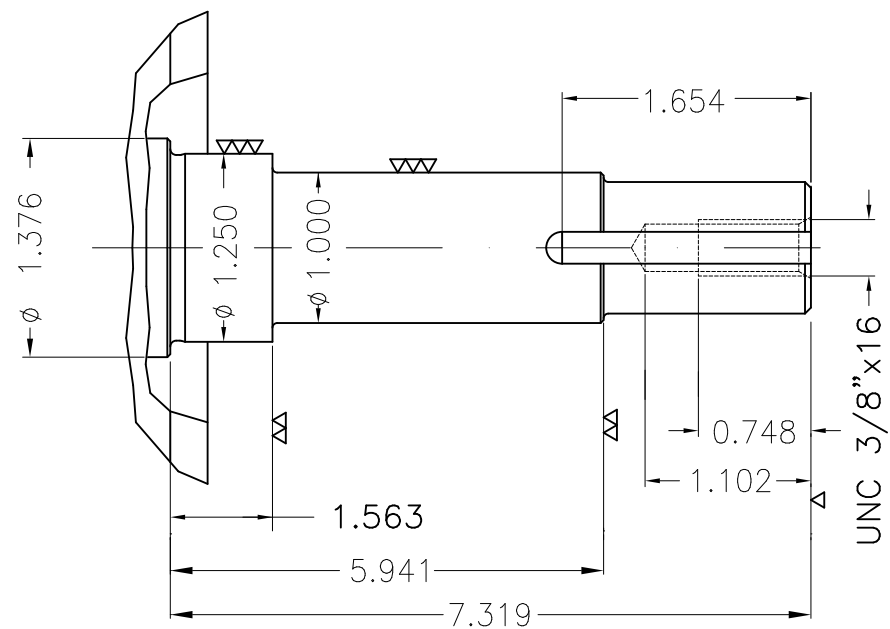
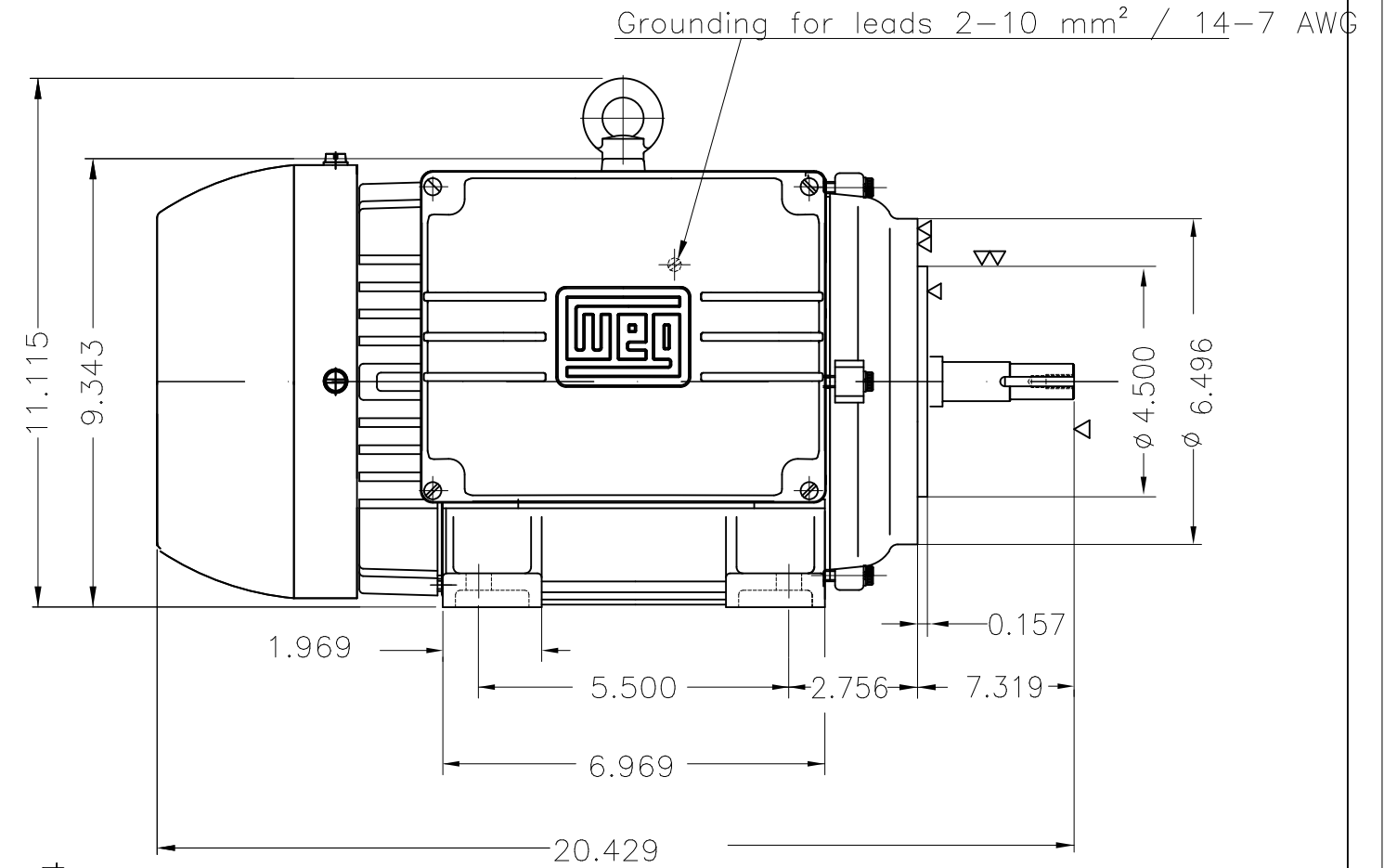
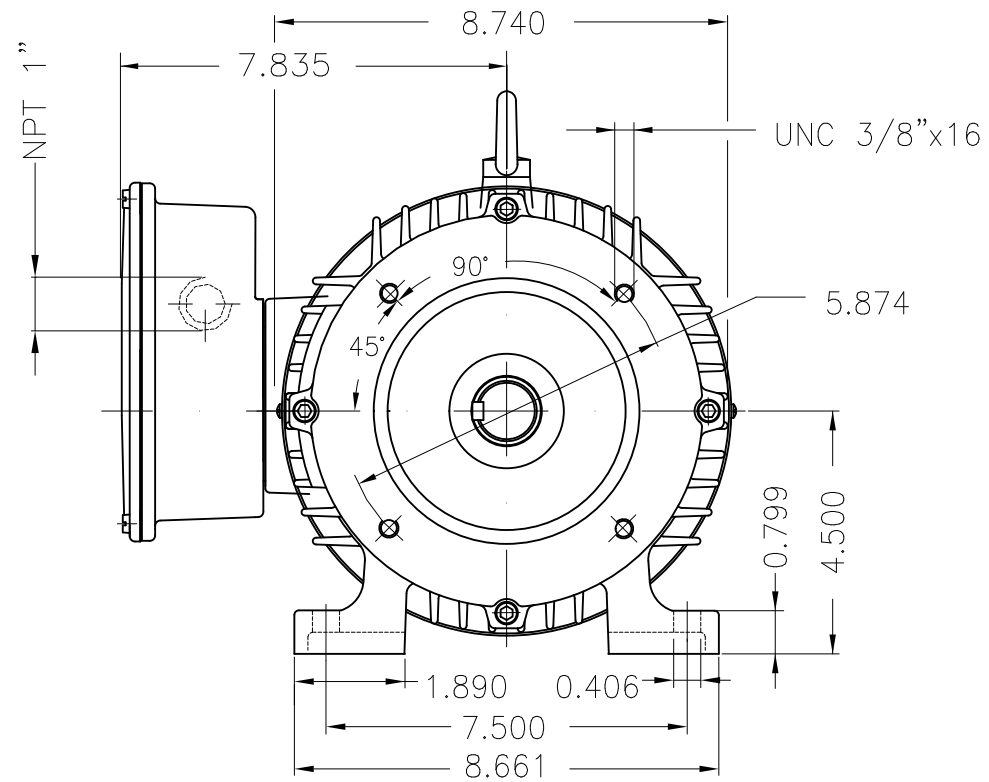
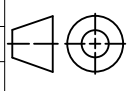


THIS IS AN UPDATED REVISION, THE PREVIOUS ONE MUST BE DISREGARDED.



| Mounting B34R(D) | | | | | | | | | |
|------------------|------------|---|-----------------------|---------------------|----------|---------|----------|------|-----|
| ECM | LOC | SUMMARY OF MODIFICATIONS | | | EXECUTED | CHECKED | RELEASED | DATE | VER |
| EXECUTED | USERADMIN |  | SINGLE PHASE MOTOR JP | | | | | | |
| CHECKED | | | FRAME 184JP IP55 TEFC | | | | | | |
| RELEASED | | | WEG code: 12724474 | | | | | | |
| REL DT | 24.07.2017 | WMO | Jaragua do Sul | Product Engineering | SHEET | 1 / 1 | | | |

5 HP 02 Poles 60Hz

A

