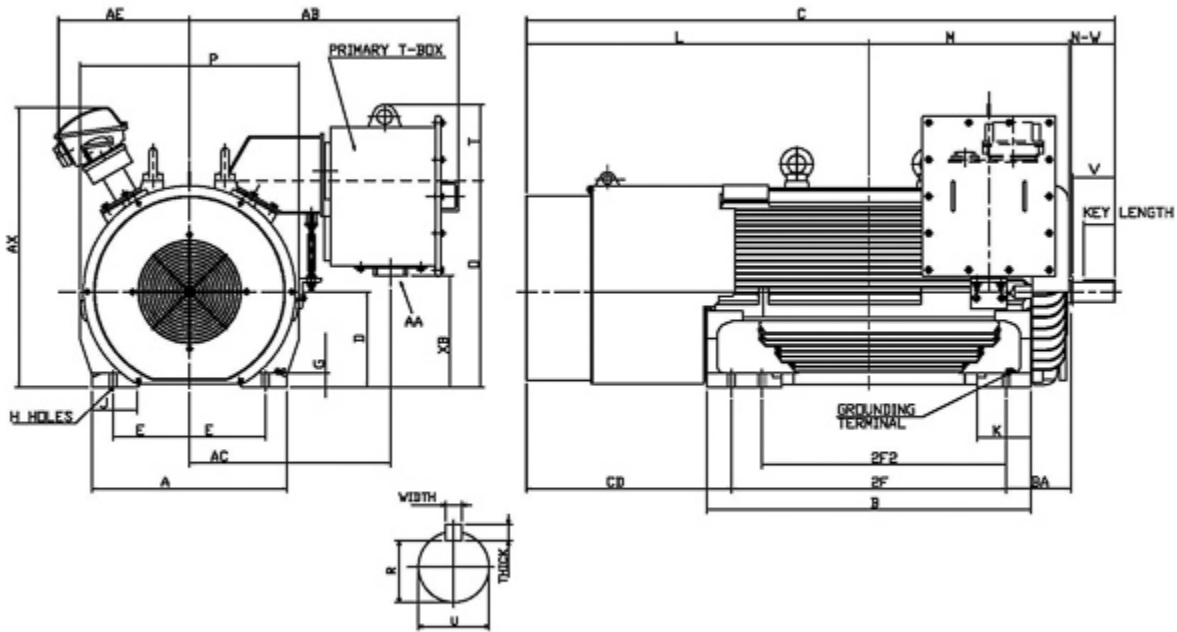


### Dimensional Drawing

| Catalogue    | Model  | HP  | Pole | kW  | Rating     | Voltage | Hz | RPM  |
|--------------|--------|-----|------|-----|------------|---------|----|------|
| APH50025-841 | AEHH8B | 500 | 2    | 373 | Continuous | 575 V   | 60 | 3600 |



| Frame Size       | Mounting |      |          |        |                       | A              | B             | C     | CD              | D          |              |
|------------------|----------|------|----------|--------|-----------------------|----------------|---------------|-------|-----------------|------------|--------------|
|                  | E        | 2F   | 2F2      | H      | BA                    |                |               |       |                 |            |              |
| 5011A            | 10       | 36   |          | 0.94   | 8.5                   | 25.6           | 42.5          | 77.15 |                 | 12.5       |              |
| G                | J        | K    | L        | M      | O                     | P              | T             | Key   |                 |            | Keyseat<br>R |
|                  |          |      |          |        |                       |                |               | Width | Thick           | Length     |              |
| 1.85             | 5.9      | 7.1  | 44.9     | 25.8   | 27.07                 | 28.75          | 14.7          | 0.625 | 0.625           | 4.01       | 2.275        |
| Terminal Housing |          |      | Aux Box  |        |                       | C/D Flange     |               |       |                 |            |              |
| AA               | AB       | AC   | XB       | AE     | AX                    | BB             | AH            | AK    | BD              | AJ         | BF           |
|                  | 36.95    | 24.8 | 14.67    | 17.83  | 36.67                 |                |               |       |                 |            |              |
| Shaft Extension  |          |      | Bearings |        | Approx.<br>Weight Lbs | SPL<br>dBA/3ft | Ins.<br>Class | S.F.  | Drive Method    | Dimensions |              |
| N-W              | U        | V    | DE       | NDE    |                       |                |               |       |                 |            |              |
| 5.75             | 2.625    | 5.5  | 6315C3   | 6315C3 | 4510                  | 83             | F             | 1.15  | Direct Coupling | Inches     |              |

### Technical Data Sheet

Motor Type: AEHH8B

Catalogue No: APH50025-841

#### Nameplate Information

|           |            |                |             |             |              |                |
|-----------|------------|----------------|-------------|-------------|--------------|----------------|
| HP        | Pole       | RPM            | Frame       | Voltage     | Hz           | Phase          |
| 500       | 2          | 3580           | 5011A       | 575         | 60           | 3              |
| Enclosure | Ins. Class | Service Factor | Time Rating | NEMA Design | Rated Amb.   | Rated Altitude |
| TEFC      | F          | 1.15           | Continuous  | B           | -40 to 40 °C | <3300 ft       |

#### Typical Performance

| Efficiency (%)    |                             |                                 |                                      | Power Factor (%)    |           |                                |
|-------------------|-----------------------------|---------------------------------|--------------------------------------|---------------------|-----------|--------------------------------|
| Full Load         |                             | 3/4 Load                        | 1/2 Load                             | Full Load           | 3/4 Load  | 1/2 Load                       |
| Nom.              | Min.                        |                                 |                                      |                     |           |                                |
| 95.8              | 95.0                        | 95.4                            | 94.0                                 | 91.7                | 91.0      | 87.0                           |
| Torque            |                             |                                 |                                      | Current (A)         |           |                                |
| Full Load (lb-ft) | Locked Rotor (% FLT)        | Pull Up (% FLT)                 | Break Down (% FLT)                   | No Load             | Full Load | Locked Rotor                   |
| 732.50            | 80                          | 80                              | 230                                  | 63.9                | 426.3     | 2900                           |
| NEMA KVA Code     | Inertia (WR <sup>2</sup> )  |                                 |                                      | Safe Stall Time (s) |           | Noise Level Sound Press. dB(A) |
|                   | Rotor (lb-ft <sup>2</sup> ) | NEMA Load (lb-ft <sup>2</sup> ) | Max. Allowable (lb-ft <sup>2</sup> ) | Cold                | Hot       |                                |
| 0                 | 84.700                      | 381                             | 381                                  | 32                  | 23        | 83                             |

#### VFD Duty Information

| Speed Range     |                 |                | VFD     |              | S.F. |
|-----------------|-----------------|----------------|---------|--------------|------|
| Constant Torque | Variable Torque | Constant Power | Carrier | Type         |      |
| 20-60Hz         | 3-60Hz          | 60-60Hz        | ≤ 5 kHz | VPWM or CPWM | 0    |

#### Additional Information

| Bearings |        | Approx. Weight |
|----------|--------|----------------|
| DE       | NDE    | lbs            |
| 6315C3   | 6315C3 | 4510           |

#### Hazardous Locations Information

| CSA Certified  |         |
|--|---------|
| Class I, Div 2, Groups B, C & D<br>Class I, Zone 2, Groups IIB+H2, IIB & IIA |         |
| Temp Code (Sinewave / VFD)   | T3 / T3 |