

Product Information Packet

November 9, 2016

Data shown is for the current revision model #. Ensure your nameplate model # matches.

Model Number:	5KS444SAA208D7
Catalog Number:	M9926
Instruction Manual:	GEI-56128
Connection Diagram:	GEM2034E-FIG7
Outline Drawing:	239C6600AA

Accessory Connection Diagrams			
Bearing Thermocouple:	None	Heater:	None
RTD:	None	Thermistor:	None
Thermostat:	None	Winding Thermocouple:	None
Bearing RTD:	None		

Table of Contents

Specification	01
Performance Characteristics	02
Outline Drawing	03
Connection Drawing(s)	04
Spare parts	05



Marks:

MODEL NUMBER:	5KS444SAA208D7	Estimated Weight:	1900 Lbs
Outline Drawing:	239C6600AA	Time Rating:	CONT
Connection Diagram:	GEM2034E-FIG7	Enclosure:	TEFC
Instruction Book:	GEI-56128	Encl Construction:	X\$D
Design Code:	44BD1173A	Ambient Max(°C):	40
Type:	KS	Alt Ambient Max(°C):	65
Frame:	444T	Insulation Class:	H
Phases:	3	NEMA Design:	B
Poles:	4	Nominal Efficiency:	95.4 %
Output Power:	125HP 92.5KW	Guaranteed Efficiency:	95.0
RPM:	1785	3/4 Load Efficiency:	95.3
Voltage:	460	KVA Code:	G
Hertz:	60	Max KVAR:	36.8
Amps - FL:	143.0	Power Factor:	86.0
Service Factor:	1.25	Bearing - DE:	6318ZC3
Alt Service Factor:	1.00	Bearing - ODE:	6318ZC3

Enclosure is Totally Enclosed Fan-Cooled

Stamped Nameplate Notes:

SF AMPS 176.4
 STAMP NP249A5564P051 AS BELOW:
 MODEL:5KS444SAA208D7 S/N: XXX
 CSA CERTIFIED CSA09.2216219 FOR EX NA IIC 200 C GC
 CL 1 ZONE2 AEX NA IIC 200C;CL 1 DIV2 GRP ABCD 200C
 IN -40C <= AMB <= 40C, 1.0 SF ON SINE-WAVE PWR
 SURF TEMP 215C AT 1.25SF ON SINE-WAVE PWR
 OR 200C VT OR 230C CT OR 260C CHP PWM CONTROL
 ALTERNATE RATING FOR PWM CONTROL 1.0SF 40C AMB
 VT 0-60 HZ, CT 7.6-60 HZ, CHP 60-90 HZ.

Additional Information:

4P - T EXTN
 C/BOX 700 CU IN - 3.00" NPT
 OIL RESISTANT SLEEVING ON LEADS
 F1 MOUNTING

Performance Characteristics

1st Winding 1st Connection

Design: 44BD1173A

Marks:

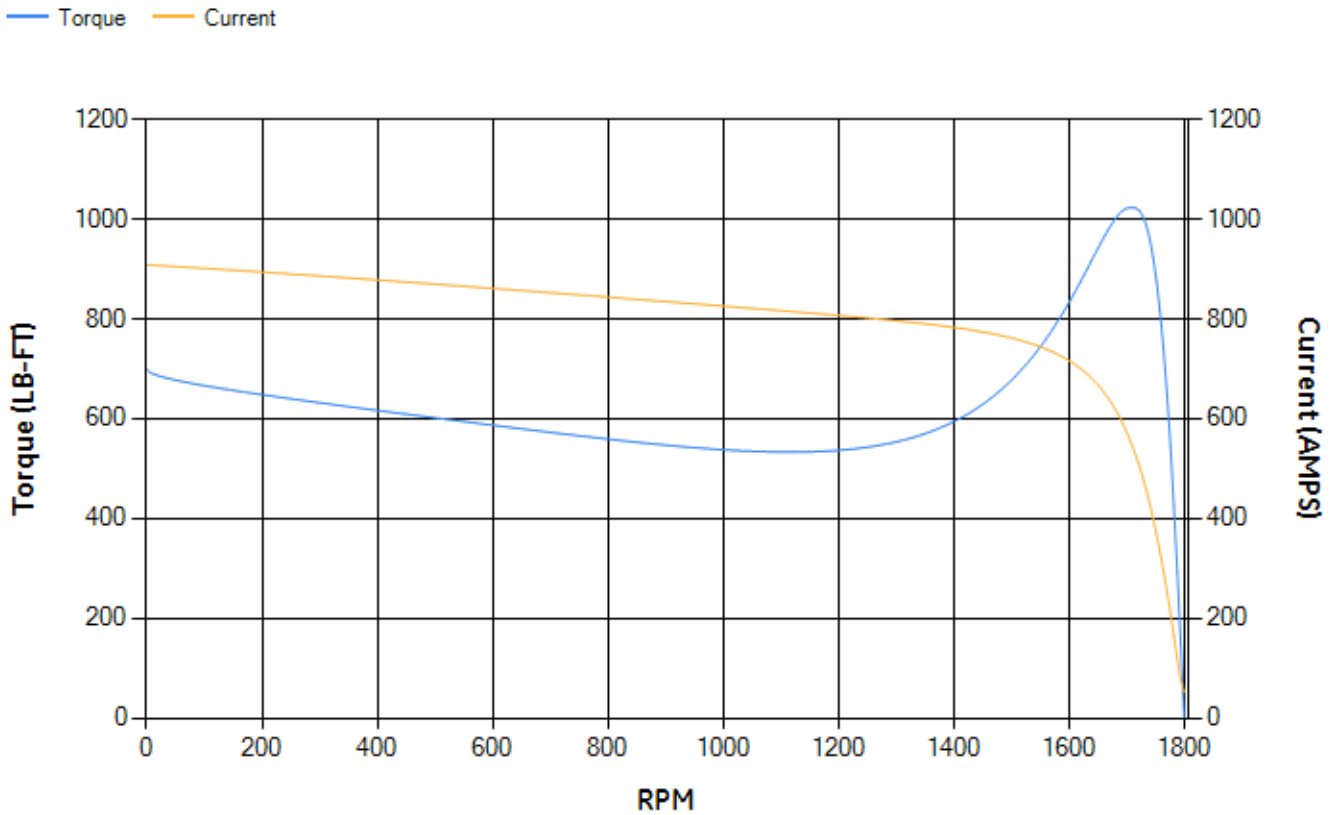
LOAD %	125.0	115.0	100.0	75.0	50.0	25.0	0.0
% EFF	95.01	95.15	95.5	95.29	94.61	91.52	0.00
% PF	87.27	86.86	85.8	82.1	73.31	51.49	4.7
AMPS	176.37	162.79	142.79	112.16	84.34	62.07	51.29

TORQ(FL)#FT	367.81	TORQ(LR)%FL	190.07	TORQ(BD)%FL	277.78
AMPS(LR)	908.39	PF AT START	0.32		

This motor is capable of two cold or one hot start with a maximum connected load inertia of 2708 Lb-Ft Sq (114.01 Kg-meter Sq)at 100% voltage, where the load torque varies with the square of the speed. Acceleration time with maximum inertia and the above load type is 32 seconds. Safe stall time at 100% voltage is 60 seconds cold, 38 seconds hot. Rotor inertia is 56.48 Lb-Ft Sq (2.38 Kg-meter Sq).

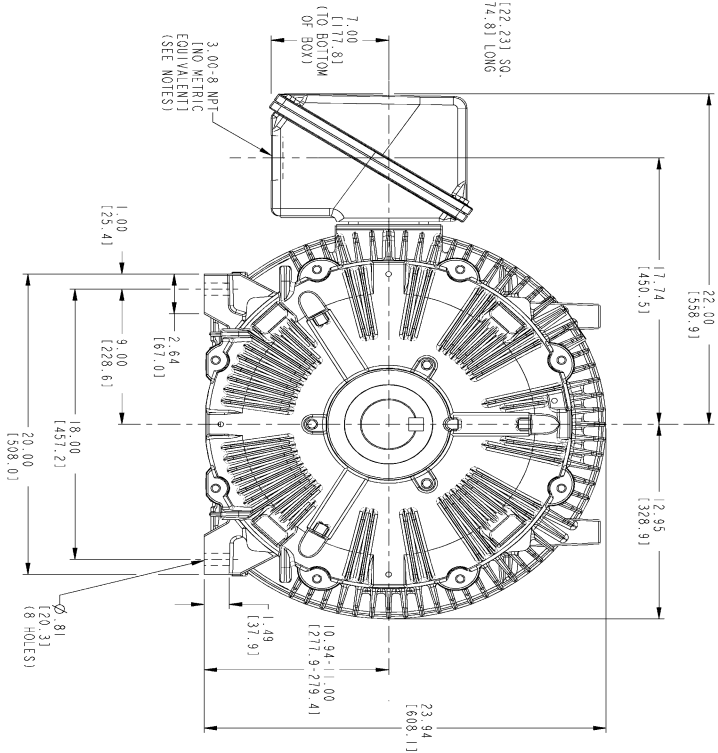
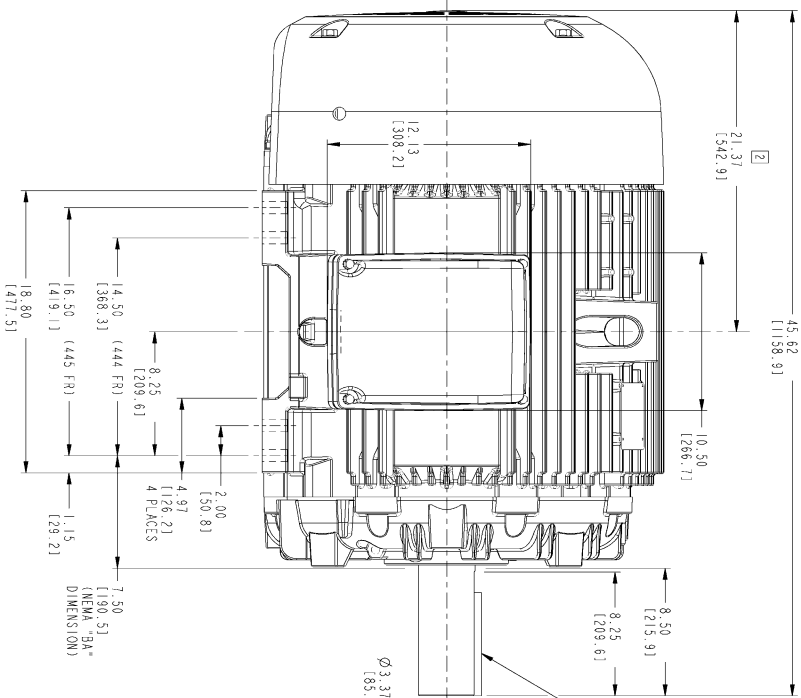
Open Circuit A-C:	0.811	Short Circuit D-C:	0.031
Short Circuit A-C:	0.042	X/R Ratio:	11.541
Stator Slots:	72	Rotor Slots:	58

Speed Torque Current Curve (First Connection, First Speed)

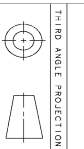


Marks:

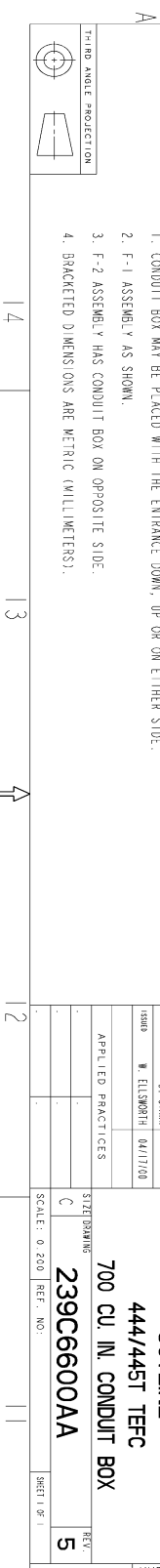
REV.	DESCRIPTION	DATE	APPROVED
1	ECH 01-0371	02/05/01	
2	ADDED FAN COVER FLUG CPA	04/30/01	
3	SMAC 02-0273 MARGAJI	02/04/02	
4	SMAC 03-2024	08/06/03	
5	SMAC 13-0248	03/22/13	MANCHI



- NOTES:
- CONDUIT BOX MAY BE PLACED WITH THE ENTRANCE DOWN, UP OR ON EITHER SIDE.
 - F-1 ASSEMBLY AS SHOWN.
 - F-2 ASSEMBLY HAS CONDUIT BOX ON OPPOSITE SIDE.
 - BRACKETED DIMENSIONS ARE METRIC (MILLIMETERS).



SIGNATURES	DATE	GENERAL ELECTRIC COMPANY Fort Wayne, Indiana	
SALES J.M. JÜRGEN 04/17/00	04/17/00	 OUTLINE 444/445T TEFC 700 CU. IN. CONDUIT BOX 239C6600AA REV. 5	
DRAWING W. ELLSWORTH 04/17/00	04/17/00		
DESIGN D. STARK 04/17/00	04/17/00		
APPLIED PRACTICES			
SCALE: 0.200	REF. NO.		



Marks:

Connection Diagram
GEM2034E-FIG7



End shield Assembly		
Part Description	DE Side Part#	ODE Side Part#
End Shield	115E4355AA1	115E4355LM1
Bearing	235A2514AG01	235A2514AG01
Slinger/Inproseal	149C4399G07	149C4399G07

Fan & Fan Cover Assembly	
Part Description	Part#
Fan	159C7100G02
Fan Cover	128D6841AA1

Conduit & Accessories Box Assembly	
Part Description	Part#
Conduit Box	118D4408AD2

Mechanical Accessories	
Part Description	Part#
Brake	
Tachometer	