

DATE
JULY 15, 2004
CATALOG NO.
NVO252C

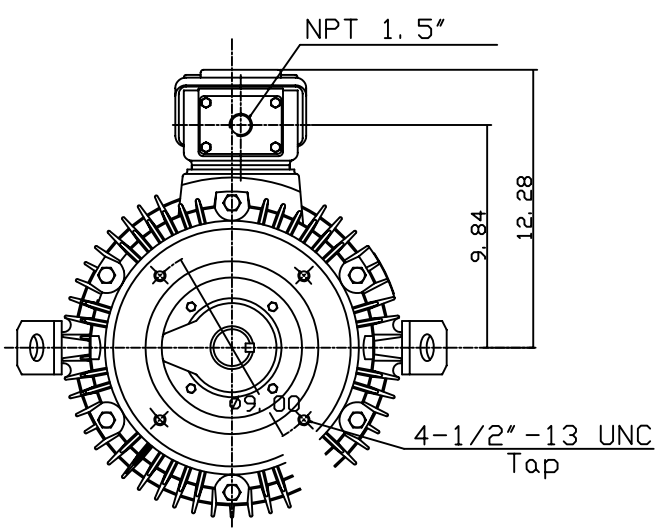
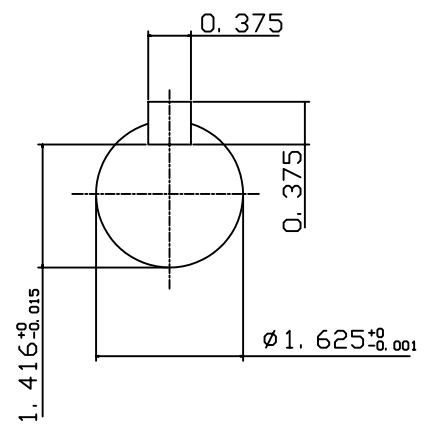
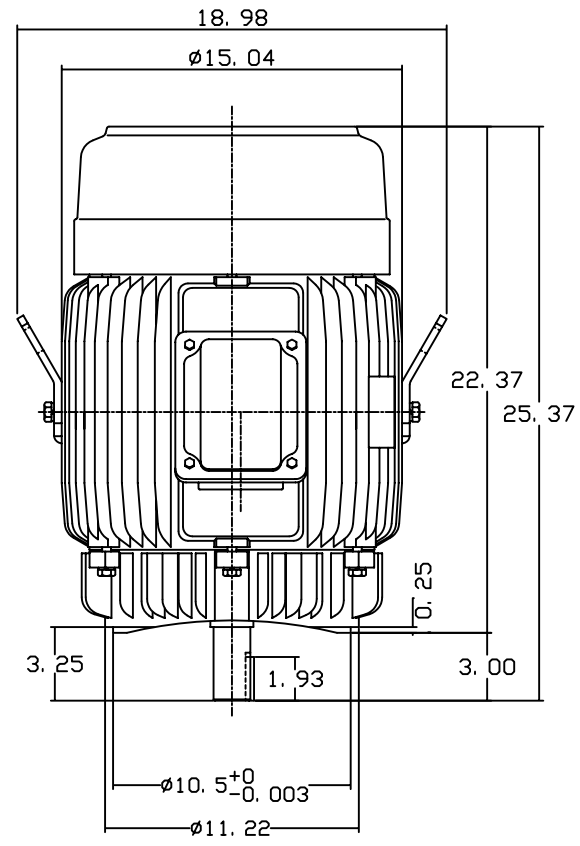
OUTLINE DIMENSIONS
3-PHASE INDUCTION MOTOR

MOTOR TYPE:
AEVANE
FRAME NO. 284TSC

Pole	HP	KW	Hz	VOLT	Syn. Speed RPM
2	25	18.5	60	230/460	3600

Ins	Rating	Dimension in	Approx Weight	Bearings
F	CONT.	inches	404 lbs.	DE: 6211C3 NDE: 6211C3

Totally Enclosed Fan-Cooled Vertical Type, Squirrel-cage Rotor.



◇		
---	--	--

DWN.	G. L. GUD	03-19-01
CHKD.	C. H. KAD	03-27-01
APPD.	Y. B. HUANG	03-27-01



DWG NO.
31049U585010