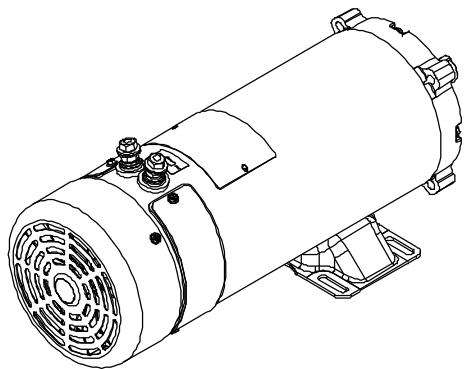
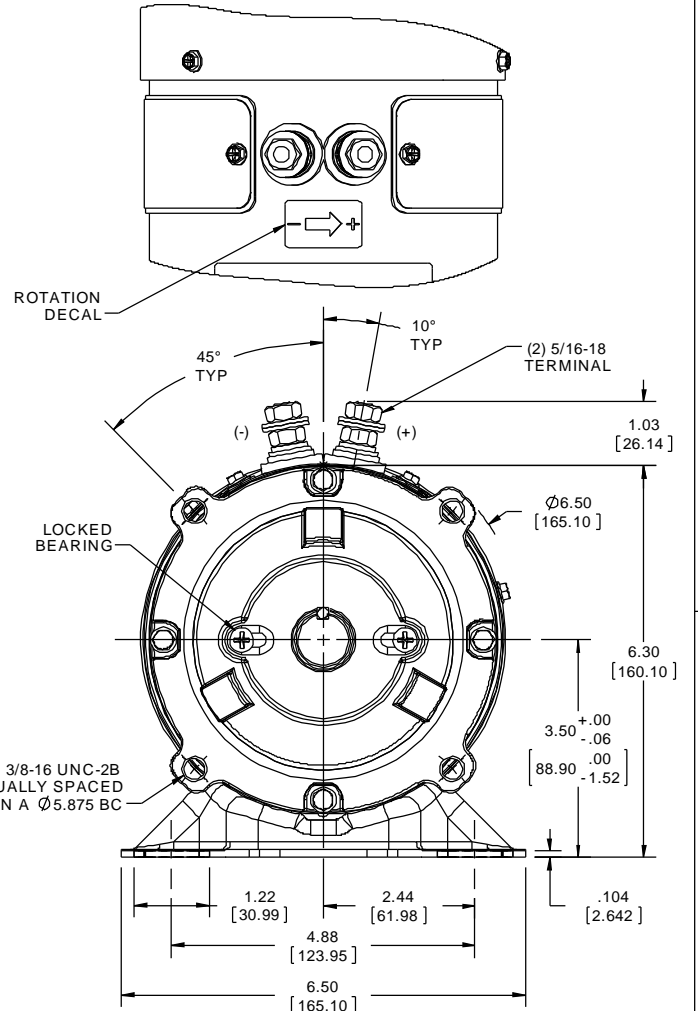
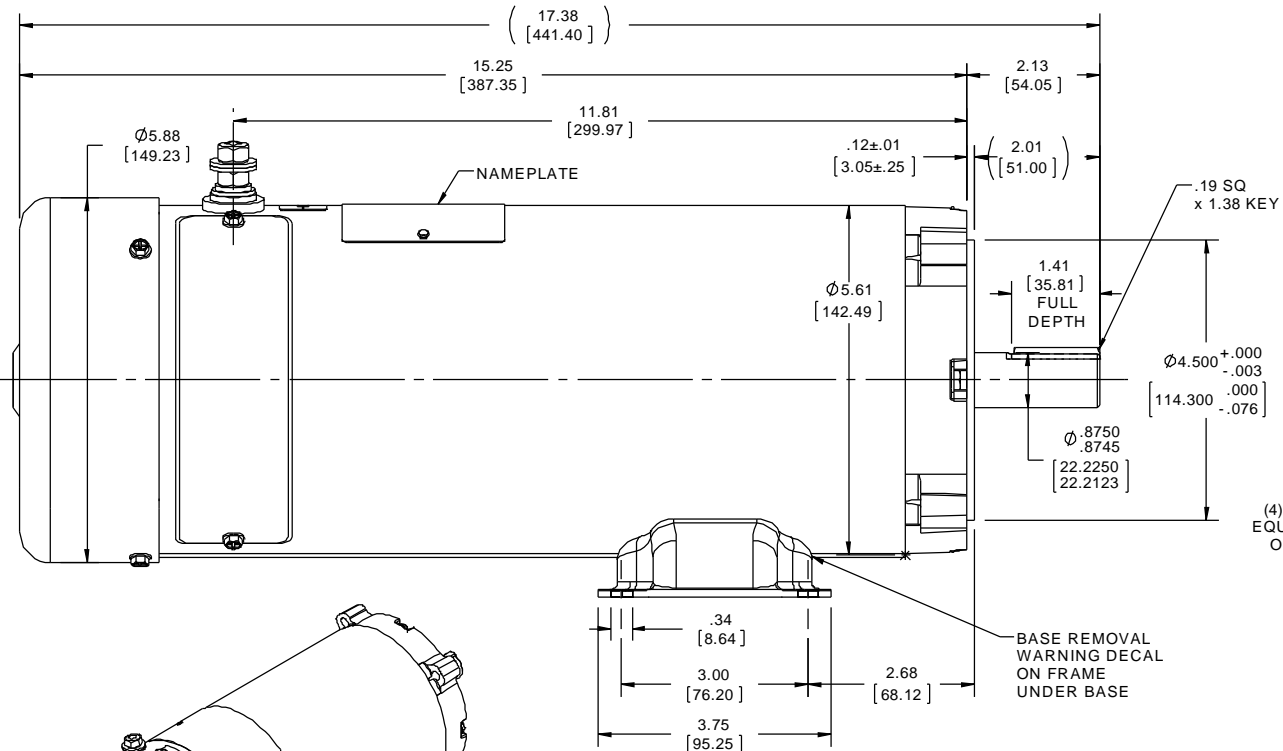


- NOTES:
 1) MAXIMUM FACE RUNOUT .004 T.I.R.
 2) MAXIMUM PILOT ECCENTRICITY .004 T.I.R.
 3) PERMISSIBLE SHAFT RUNOUT .002 T.I.R.
 4) GASKETS THROUGHOUT.



DRAWING REVISION 00	REVISION BY I. GUERRA	DATE 10/23/13	TOLERANCES UNLESS OTHERWISE SPECIFIED:			DRAWN BY I. GUERRA	Regal Beloit America, Inc.
ECO	APPROVED BY	DATE	DEC.	INCH	mm	ANGLE	
ECO DESCRIPTION			.X	±0.1	[±2.5]	±0.5°	DATE 10/23/13
<small>COPYRIGHT REGAL BELOIT AMERICA, INC. ALL RIGHTS RESERVED. PROPRIETARY AND CONFIDENTIAL INFORMATION. THIS DOCUMENT IS THE PROPERTY OF REGAL BELOIT AMERICA, INC. (OWNER) AND CONTAINS OWNER'S PROPRIETARY INFORMATION. ANY PERSON, CORPORATION OR OTHER FIRM RECEIVING IT IS DEEMED, BY RECEIVING IT, TO AGREE THAT IT, AND/OR ANY PART OF IT, SHALL NOT BE DISCLOSED TO ANY PERSON, CORPORATION OR OTHER ENTITY, DUPLICATED, AND/OR USED, EXCEPT AS EXPRESSLY APPROVED IN WRITING IN ADVANCE BY OWNER. THIS DOCUMENT SHALL BE RETURNED TO OWNER UPON REQUEST. IT MAY BE SUBJECT TO CERTAIN RESTRICTIONS UNDER APPLICABLE EXPORT CONTROL LAWS AND REGULATIONS.</small>			.XX	±0.03	[±0.76]		APPROVED BY I. GUERRA
			.XXX	±0.005	[±0.127]		DATE
			.XXXX	±0.0005	[±0.0127]		PROCESS/FINISH
			REMOVE BURRS & BREAK SHARP EDGES: .003/.015 [0.076/3.81] CORNER FILLETS: .02 [51] MACHINED SURFACES: 125/3.2 INCH/mm				MATERIAL
			mm SHOWN IN [BRACKETS]				THIRD ANGLE PROJECTION
						SIZE B	DRAWING NUMBER 612-0134
							SHEET 1 OF 1