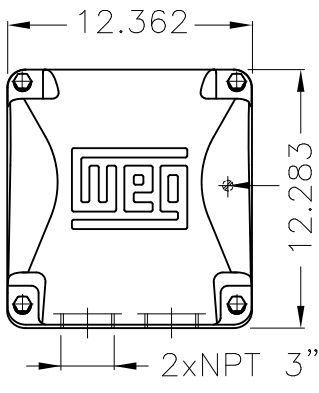


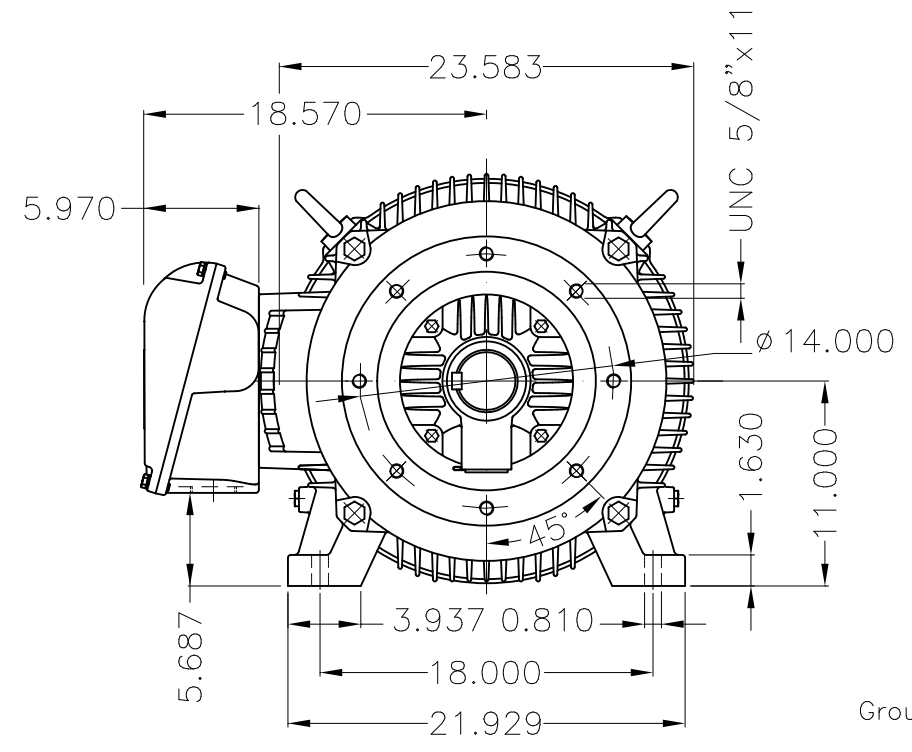
Dimensões em polegada
Dimensions in inches

THIS IS AN UPDATED REVISION, THE
PREVIOUS ONE MUST BE DISREGARDED.

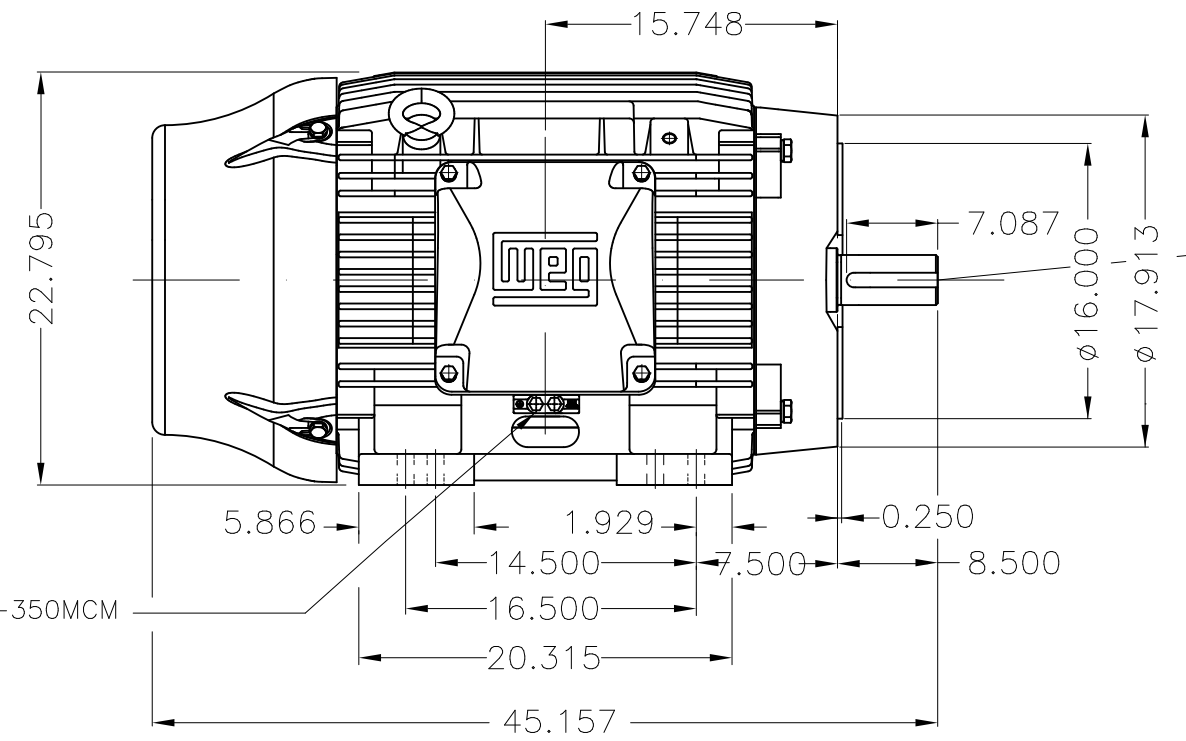


Grounding for leads 35-70 mm² / 1-2/0 AWG

Main terminal box



Grounding for leads 25-185 mm² / 3AWG-350MCM



Center hole
DUNC 3/4"-10 WEG TBG12



DE Shaft End

Color RAL 5009		Painting plan 203A		Mounting B34R(D)							
ECM	LOC	SUMMARY OF MODIFICATIONS				EXECUTED	CHECKED	RELEASED	DATE	VER	
EXECUTED	USERADMIN	THREE PHASE W22 MOTOR - NEMA PREMIUM EFF									
CHECKED		FRAME 444/5TC IP55 TEFC									
RELEASED		WEG code: 12274312									
REL DT	24.07.2017	WMO	Jaragua do Sul	Product Engineering	SHEET	1 / 1					

125 HP 04 Poles 60Hz

A

