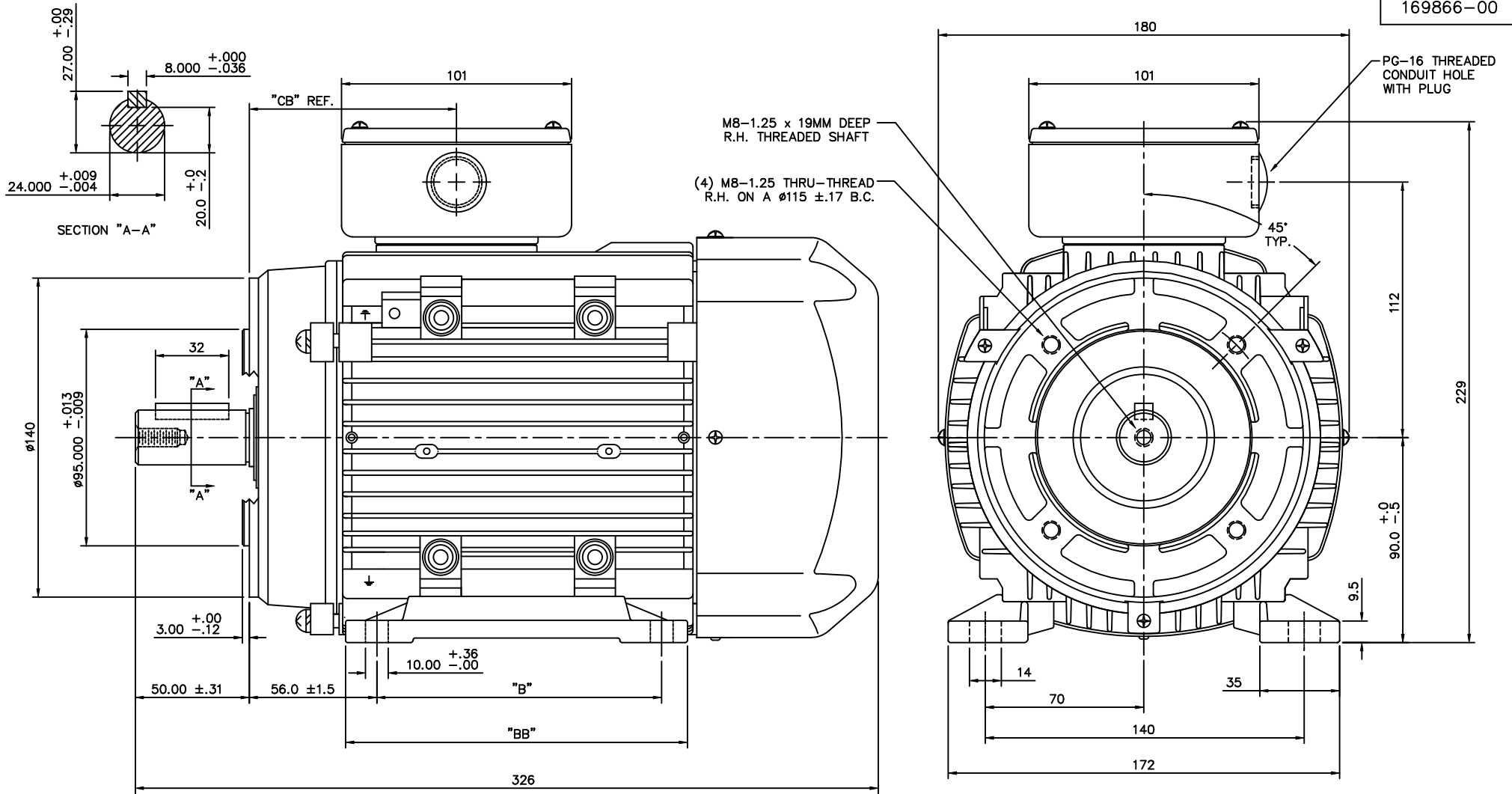


169866-00



FRAME DESIGN	"B"	"BB"	"CB"
90L	125 $\pm 0.7$	150	91
90S	100 $\pm 0.7$	125	79
XXX	XXX	XXX	XXX

		TOLERANCES UNLESS SPECIFIED		<b>LEESON</b>	ELECTRIC MOTORS GEARMOTORS AND DRIVES	DRAWN	ADS 01/30/02
NO.	REVISION	DEC.	METRIC			CHK	APPD
		.X	$\pm 2.5$	TITLE	METRIC OUTLINE, IMB34 IEC-90 FRAME RIGID W/B14 FLANGE	SCALE	1=1.6
		.XX	$\pm .76$	MAT'L	ALUMINUM	REF	OSVC-300-559
		.XXX	$\pm .127$	FINISH		FMF	LEESON STOCK
		.XXXX	$\pm .0127$	CAD FILE	16986600	PREV	
		CHK	ANG $\pm 1/2^\circ$	SIZE	B	DRAWING NO.	169866-00
		RFP				REV.	
		DIST					

THIS DRAWING IN DESIGN AND DETAIL IS OUR PROPERTY AND MUST NOT BE USED EXCEPT IN CONNECTION WITH OUR WORK ALL RIGHTS OF DESIGN AND INVENTION ARE RESERVED THIS IS AN ELECTRONICALLY GENERATED DOCUMENT - DO NOT SCALE THIS PRINT