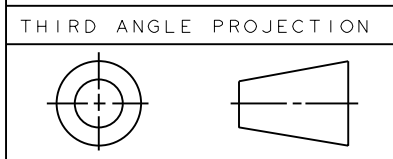
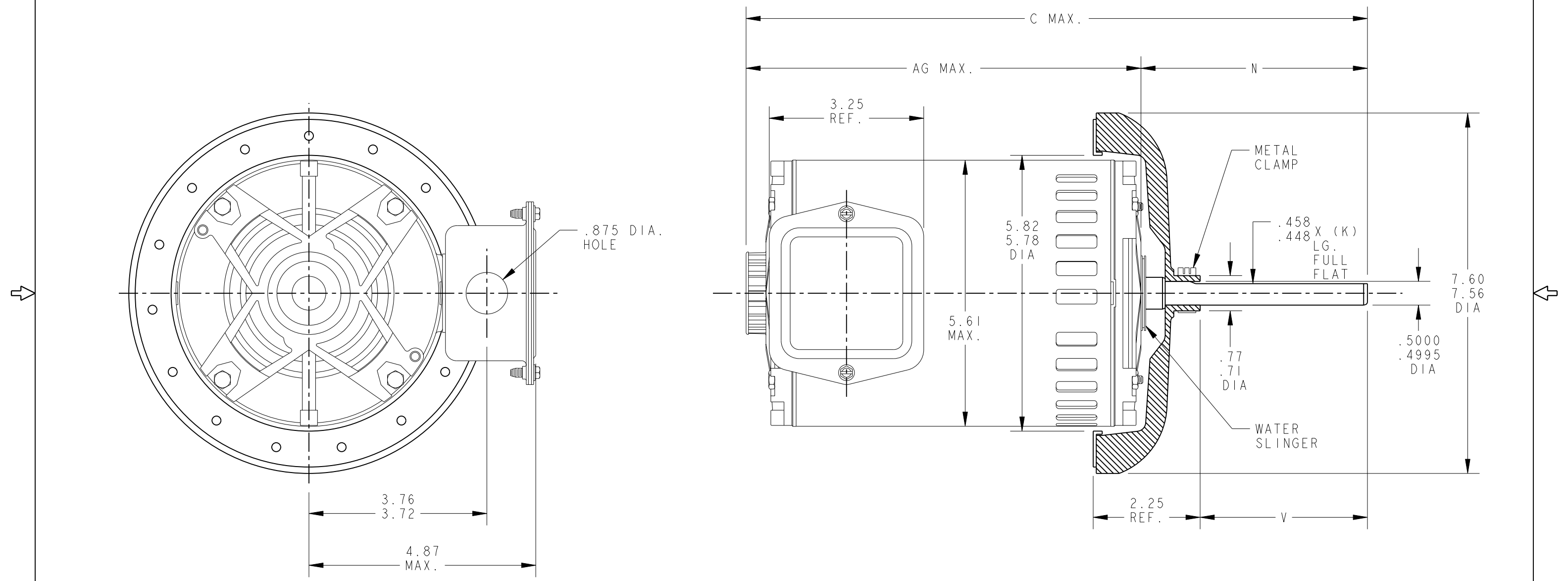




REVISIONS			
REV.	DESCRIPTION	DATE	APPROVED
4	CHG TO RBC FORMAT PER ISO5-1777	05/02/06	DURGA



I	K	KCP	36	48Z	12.81	4.83 4.70	7.95	3.54 3.50	3.72
P	TYPE	GE SIZE	NEMA FR	C	N	AG	V	K	

FOR ADDITIONAL INFO REFER TO:

APPLIED PRACTICES	
DIMENSIONS ARE IN INCHES	
MATERIAL	SOLID MODEL: 52B206597

SIGNATURES	DATE
MODEL J.L.MORRIS	07/14/87
DETAIL	.
CHECKED	.
ENGRG	.
MFG	.
QUALITY	.
ISSUED C.C.P.	03/22/95
SOLID MODEL: 52B206597	

	REGAL-BELOIT CORPORATION
TITLE	
OUTLINE	
FORM N - SPECIAL PURPOSE MOTOR -	
OPEN - BALL BEARING - FMF: 5K36PN345AS	
SIZE DRAWING	52B206597
B	REV 4
SCALE: 1.000	REF. No: .
SHEET 1 of 1	

