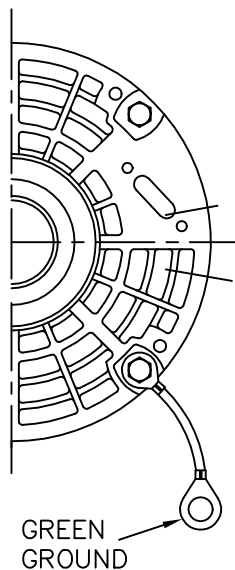


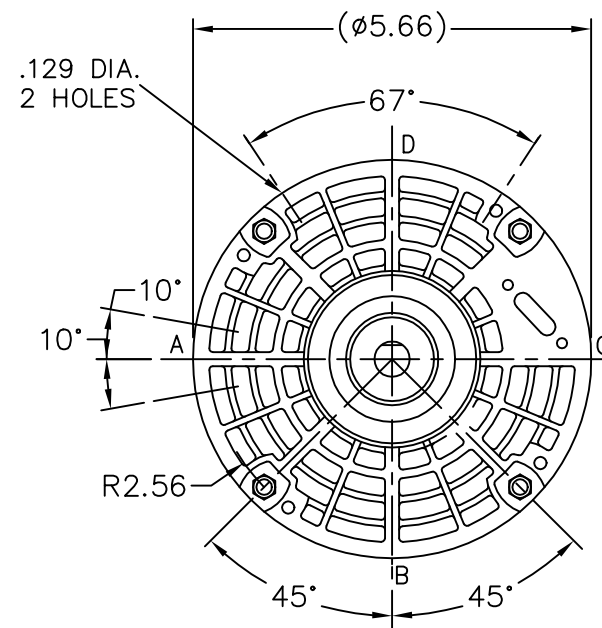
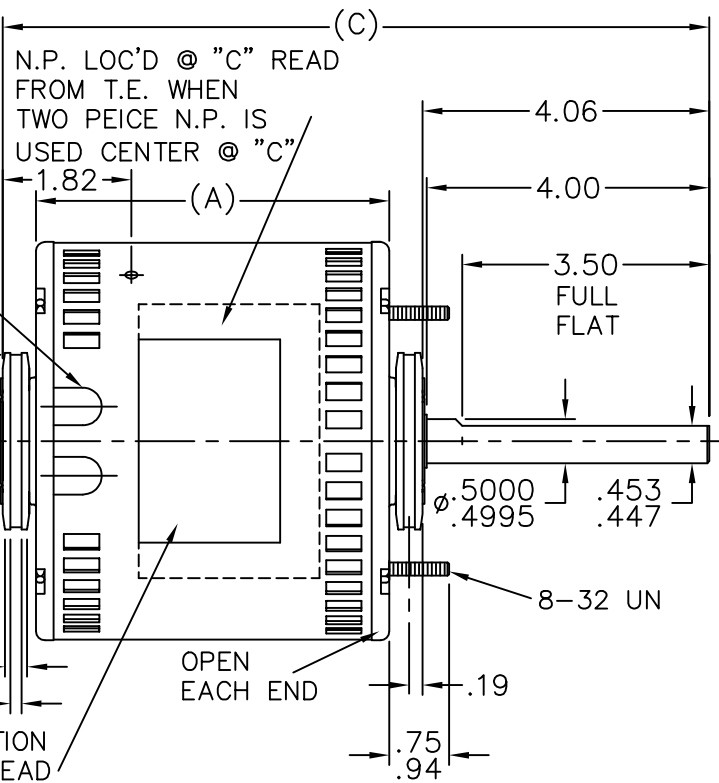
TERM. END



LEADS & BUSHINGS

.03
ø2.25

.31
.16
CONNECTION
DECAL READ
FROM T. END



DASH	FR.	C	A
400	48Y	10.00	5.00
475	48Y	10.25	5.25
500	48Y	10.50	5.50
525	48Y	10.75	5.75

10/1/2008
10/1/2008
10/20/2008

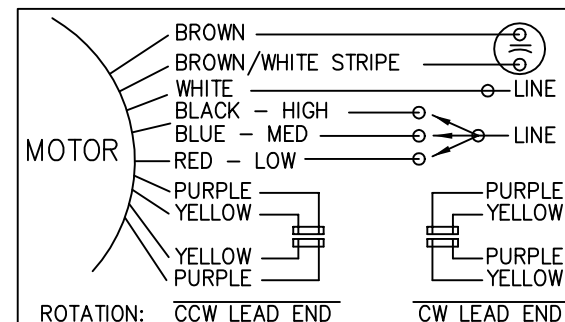
LEAD DESCRIPTION:

1 WHITE, 1 BLACK, 1 BLUE, & 1 RED LEAD WITH .50 BARE WIRE STRIP. 30.00" LONG.

2 BROWN LEADS WITH .25 FLAG-TYPE QUICK CONNECTS, 30.00" LONG. BROWN/WHITE MARKED LEAD IS COMMON TO WHITE.

REVERSING LEADS ARE MOLDED INTO MATING PULL-APART PLUGS. 1 YELLOW & 1 PURPLE LEAD PER PLUG. 5.00" LONG.

GREEN LEAD WITH TERM. FOR #10 SCREW 12.00" LONG.



NO.	REVISION	BY & DATE	CHK	ANG	TOLERANCES UNLESS SPECIFIED	
					DEC.	INCHES
					.X	±.1
					.XX	±.03
02	FEW MORE DASH VALUES ADDED.	SP 7/7/2008	NB	.XXX	±.005	
01	DASH VALUE ADDED.	SP 05-20-2008	NB	.XXXX	±.0005	
					±7'30"	

MARATHON ELECTRIC

TITLE OUTLINE

MAT'L.

FINISH

RFP 05-20-2007 CAD FILE ss403608

DRAWN NB 05-15-2007

CHK VL 05-20-2007

APPD VL 05-20-2007

SCALE 3=8

REF SS75119

FMF MU79124

PREV

THIS DRAWING IN DESIGN AND DETAIL IS OUR PROPERTY AND MUST NOT BE USED EXCEPT IN CONNECTION WITH OUR WORK ALL RIGHTS OF DESIGN AND INVENTION ARE RESERVED THIS IS AN ELECTRONICALLY GENERATED DOCUMENT - DO NOT SCALE THIS PRINT

RFP 05-20-2007 CAD FILE ss403608

DIST WP

SIZE A

DRAWING NO. SS403608

PAGE OF

REV. 02