

# Product Information Packet

November 25, 2016

Data shown is for the current revision model #. Ensure your nameplate model # matches.

<b>Model Number:</b>	<b>5KS143LAA104B</b>
<b>Catalog Number:</b>	<b>M7501</b>
<b>Instruction Manual:</b>	GEI-56128
<b>Connection Diagram:</b>	GEM2034E-FIG1
<b>Outline Drawing:</b>	4002B5814SAP5201

Accessory Connection Diagrams			
<b>Bearing Thermocouple:</b>	None	<b>Heater:</b>	None
<b>RTD:</b>	None	<b>Thermistor:</b>	None
<b>Thermostat:</b>	None	<b>Winding Thermocouple:</b>	None
<b>Bearing RTD:</b>	None		

## Table of Contents

Specification	01
Performance Characteristics	02
Outline Drawing	03
Connection Drawing(s)	04
Spare parts	05



**Marks:**

<b>MODEL NUMBER:</b>	<b>5KS143LAA104B</b>	<b>Estimated Weight:</b>	43 Lbs
<b>Outline Drawing:</b>	4002B5814SAP5201	<b>Time Rating:</b>	CONT
<b>Connection Diagram:</b>	GEM2034E-FIG1	<b>Enclosure:</b>	TENV
<b>Instruction Book:</b>	GEI-56128	<b>Encl Construction:</b>	SD
<b>Design Code:</b>	14BD0028B	<b>Ambient Max(°C):</b>	40
<b>Type:</b>	KS	<b>Alt Ambient Max(°C):</b>	--
<b>Frame:</b>	143T	<b>Insulation Class:</b>	F
<b>Phases:</b>	3	<b>NEMA Design:</b>	A
<b>Poles:</b>	2	<b>Nominal Efficiency:</b>	85.5 %
<b>Output Power:</b>	1.5HP 1.1KW	<b>Guaranteed Efficiency:</b>	82.5
<b>RPM:</b>	3515	<b>3/4 Load Efficiency:</b>	--
<b>Voltage:</b>	575	<b>KVA Code:</b>	M
<b>Hertz:</b>	60	<b>Max KVAR:</b>	0.8
<b>Amps - FL:</b>	1.8	<b>Power Factor:</b>	74.0
<b>Service Factor:</b>	1.15	<b>Bearing - DE:</b>	6205ZC3
<b>Alt Service Factor:</b>	--	<b>Bearing - ODE:</b>	6205ZC3

**Enclosure is Totally Enclosed Non-Vented**

---

**Stamped Nameplate Notes:**

SEVERE DUTY  
 INVERTER DUTY PER NEMA MG1 PART 31  
 ALTERNATE RATING FOR PWM CONTROL:1.0SF 40C AMBIENT  
 VAR TORQUE RANGE 0-60 HZ

**Additional Information:**

2P - T EXTN  
 STANDARD FLOOR MOUNT  
 C/BOX 30 CU IN-0.75 NPT  
 F1 CONDUIT BOX MOUNTING  
 OIL RESISTANT SLEEVING ON LEADS  
 VIBRATION LIMIT 0.15 INCH PER SEC

**Performance Characteristics**

1st Winding 1st Connection

**Design: 14BD0028B**

Marks:

LOAD %	125.0	115.0	100.0	75.0	50.0	25.0	0.0
% EFF	83.81	84.39	85.27	85.42	83.88	76.38	0.00
% PF	79.38	77.5	78.38	65.18	51.53	31.69	7.33
AMPS	2.11	1.97	1.67	1.51	1.3	1.16	0.94

TORQ(FL)#FT 2.24  
AMPS(LR) 13.24

TORQ(LR)%FL 285.82  
PF AT START 0.58

TORQ(BD)%FL 401.76

This motor is capable of two cold or one hot start with a maximum connected load inertia of 9 Lb-Ft Sq (0.38 Kg-meter Sq) at 100% voltage, where the load torque varies with the square of the speed. Acceleration time with maximum inertia and the above load type is 19 seconds. Safe stall time at 100% voltage is 48 seconds cold, 28 seconds hot. Rotor inertia is 0.03 Lb-Ft Sq (0 Kg-meter Sq).

Open Circuit A-C: 0.175

Short Circuit D-C: 0.004

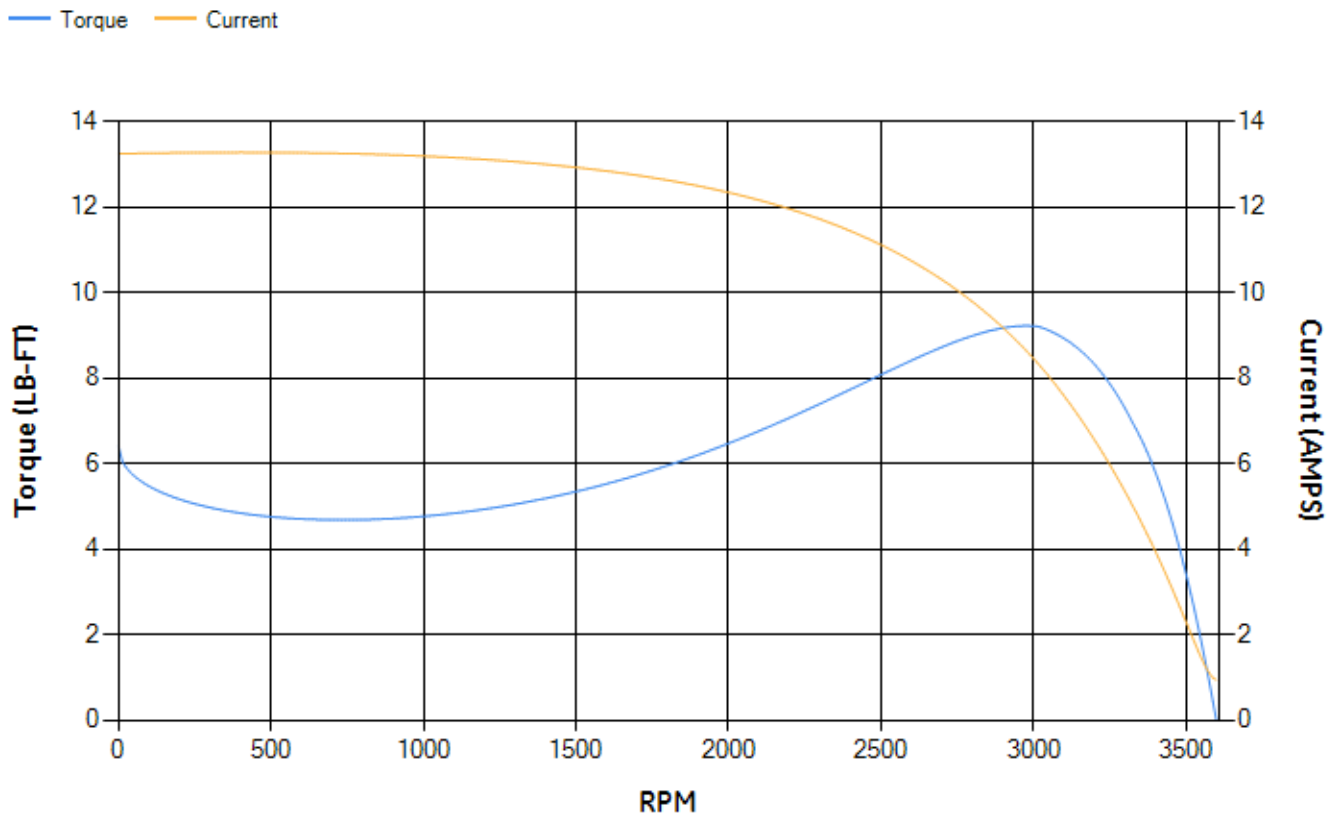
Short Circuit A-C: 0.009

X/R Ratio: 1.594

Stator Slots: 24

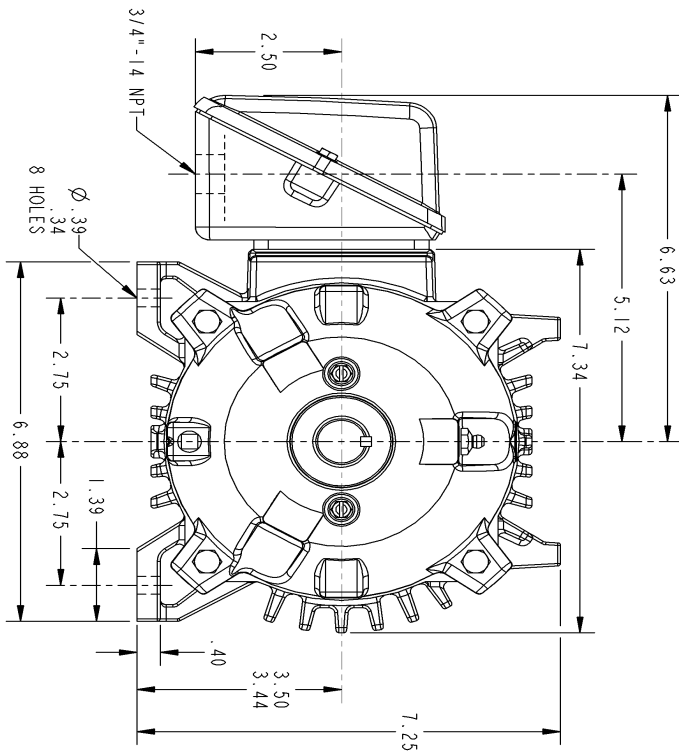
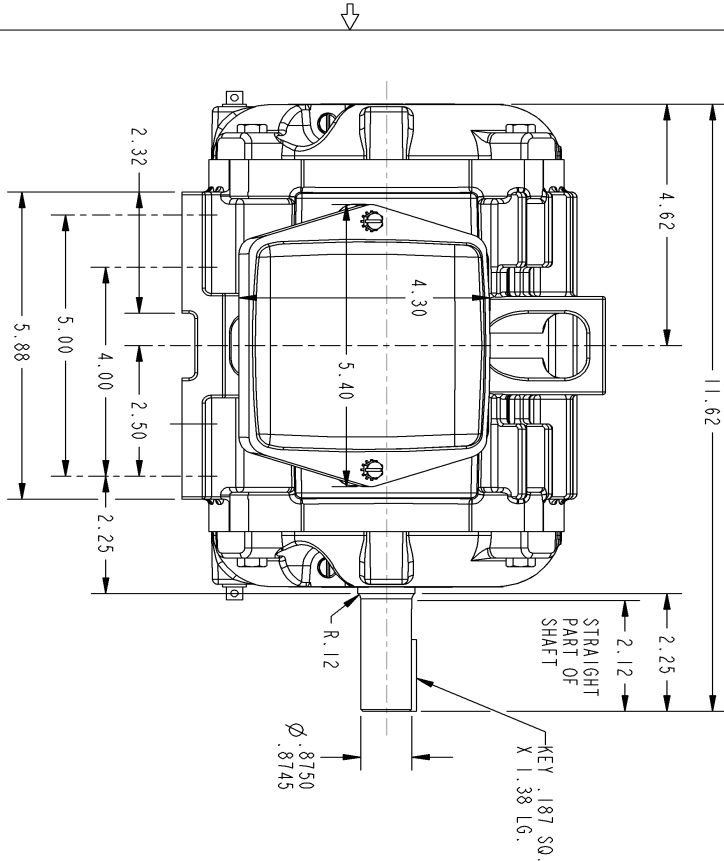
Rotor Slots: 34

Speed Torque Current Curve (First Connection, First Speed)



Marks:

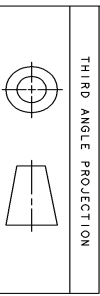
NOTE 1 : CONDUIT BOX MAY BE ASSEMBLED WITH ENTRANCE UP, DOWN OR TO EITHER SIDE.  
 NOTE 2 : F1 ASSEMBLY AS SHOWN. F2 ASSEMBLY CONDUIT BOX ON OPPOSITE SIDE FROM SHOWN LOCATION.



SIZE DRAWING NO.  
**B 4002B5814SAP5201**

SM REV  
**0**

REVISIONS			
REV.	DESCRIPTION	DATE	APPROVED

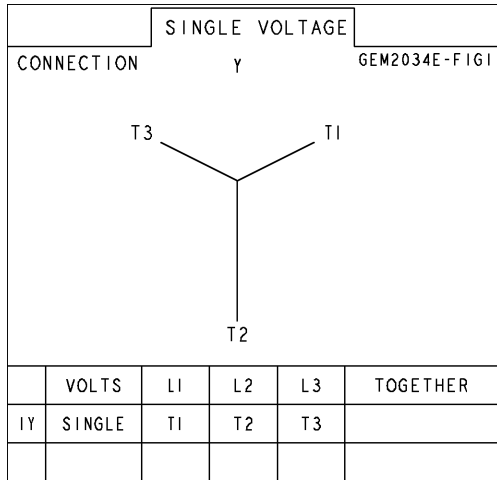


SIGNATURES	DATE	<b>GE Industrial Systems</b> GENERAL ELECTRIC COMPANY Fort Wayne, Indiana <b>INDUCTION MOTOR OUTLINE</b> STANDARD CONSTRUCTION FMP: FR140T TENV/TEAO XSD ULTRA
DRAWN GART WARDNER	NOV 16/01	
CHECKED GART WARDNER	NOV 22/02	
ISSUED GART WARDNER		
APPLIED PRACTICES		
SCALE: 0.500	REF. NO.: 4002B5814SAP5201	SIZE DRAWING <b>B 4002B5814SAP5201</b> REV. <b>0</b>

DISTRIBUTION: PMP-18K15

Marks:

**Connection Diagram**  
**GEM2034E-FIG1**



End shield Assembly		
Part Description	DE Side Part#	ODE Side Part#
End Shield	4004D5280PA1	4004D5300PA1
Bearing	235A2600AA01	235A2600AA01
Slinger/Inproseal	149C4399G15	

Fan & Fan Cover Assembly	
Part Description	Part#
Fan	
Fan Cover	

Conduit & Accessories Box Assembly	
Part Description	Part#
Conduit Box	4002B5718PA-G01

Mechanical Accessories	
Part Description	Part#
Brake	
Tachometer	