

Product Information Packet

November 7, 2016

Data shown is for the current revision model #. Ensure your nameplate model # matches.

Model Number:	5KS286ATE204A
Catalog Number:	E7654
Instruction Manual:	GEI-M1023
Connection Diagram:	GEM2034E-FIG7
Outline Drawing:	358B6217AB

Accessory Connection Diagrams			
Bearing Thermocouple:	None	Heater:	None
RTD:	None	Thermistor:	None
Thermostat:	None	Winding Thermocouple:	None
Bearing RTD:	None		

Table of Contents	
Specification	01
Performance Characteristics	02
Outline Drawing	03
Connection Drawing(s)	04



Marks:

MODEL NUMBER:	5KS286ATE204A	Estimated Weight:	450 Lbs
Outline Drawing:	358B6217AB	Time Rating:	CONT
Connection Diagram:	GEM2034E-FIG7	Enclosure:	DP
Instruction Book:	GEI-M1023	Encl Construction:	OPEN
Design Code:	28AD1011B	Ambient Max(°C):	40
Type:	KS	Alt Ambient Max(°C):	--
Frame:	286T	Insulation Class:	F
Phases:	3	NEMA Design:	A
Poles:	4	Nominal Efficiency:	94.1 %
Output Power:	30HP 22.2KW	Guaranteed Efficiency:	93.0
RPM:	1775	3/4 Load Efficiency:	94.5
Voltage:	575	KVA Code:	H
Hertz:	60	Max KVAR:	9.7
Amps - FL:	28.8	Power Factor:	81.5
Service Factor:	1.15	Bearing - DE:	6312ZZ
Alt Service Factor:	--	Bearing - ODE:	6211ZZ

Enclosure is Dripproof

Stamped Nameplate Notes:**Additional Information:**

4 POLE DRIP PROOF
 CONDUIT BOX MATERIAL: STAMPED STEEL
 CONDUIT BOX VOL: 244 CU IN
 NO. OF MOTOR LEADS: 3
 NOT USEABLE AT 200 VOLTS
 GREASE TYPE: SHELL ALAVANIA R3 LITHIUM
 SOUND POWER DATA: 74.7
 INVERTER DUTY PER NEMA MG1 PART 31
 FOR VARIABLE TORQUE LOADS

Performance Characteristics

1st Winding 1st Connection

Design: 28AD1011B

Marks:

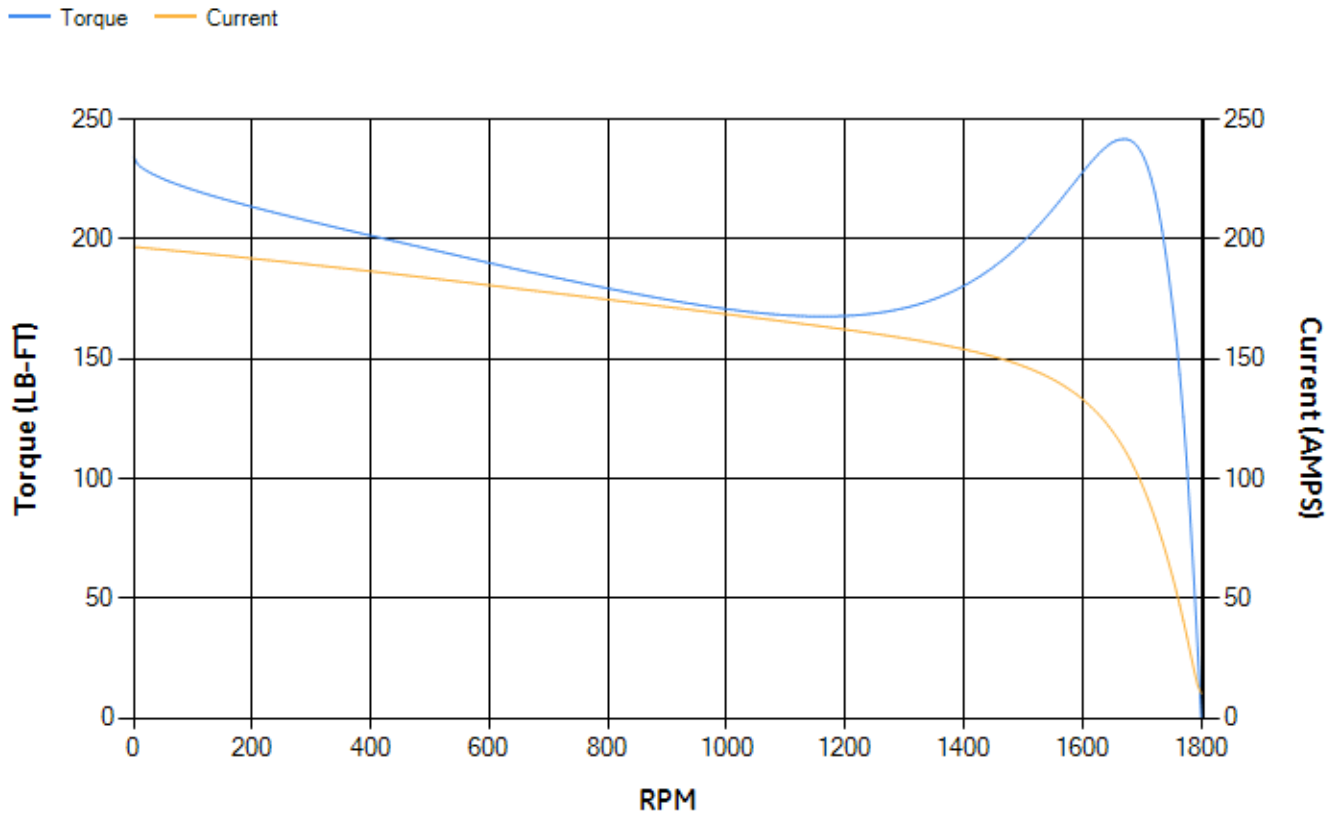
LOAD %	125.0	115.0	100.0	75.0	50.0	25.0	0.0
% EFF	93.76	94.02	94.54	94.54	94.02	90.94	0.00
% PF	83.92	83.68	82.83	79.35	70.77	49.65	4.82
AMPS	35.69	32.83	28.69	22.46	16.88	12.44	10.2

TORQ(FL)#FT	88.6	TORQ(LR)%FL	264.64	TORQ(BD)%FL	271.93
AMPS(LR)	196.75	PF AT START	0.4		

This motor is capable of two cold or one hot start with a maximum connected load inertia of 1067 Lb-Ft Sq (44.92 Kg-meter Sq)at 100% voltage, where the load torque varies with the square of the speed. Acceleration time with maximum inertia and the above load type is 38 seconds. Safe stall time at 100% voltage is 65 seconds cold, 57 seconds hot. Rotor inertia is 4.9 Lb-Ft Sq (0.21 Kg-meter Sq).

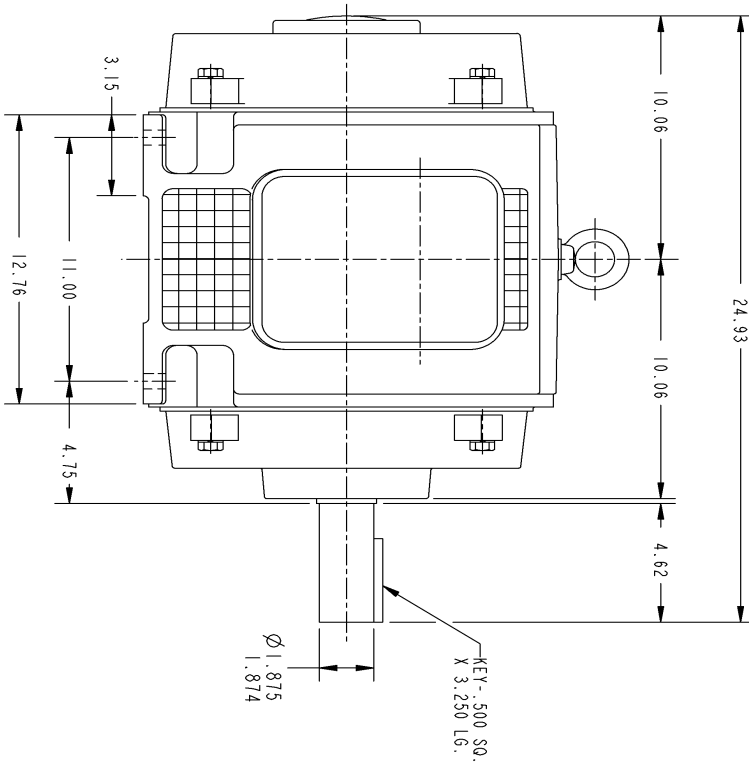
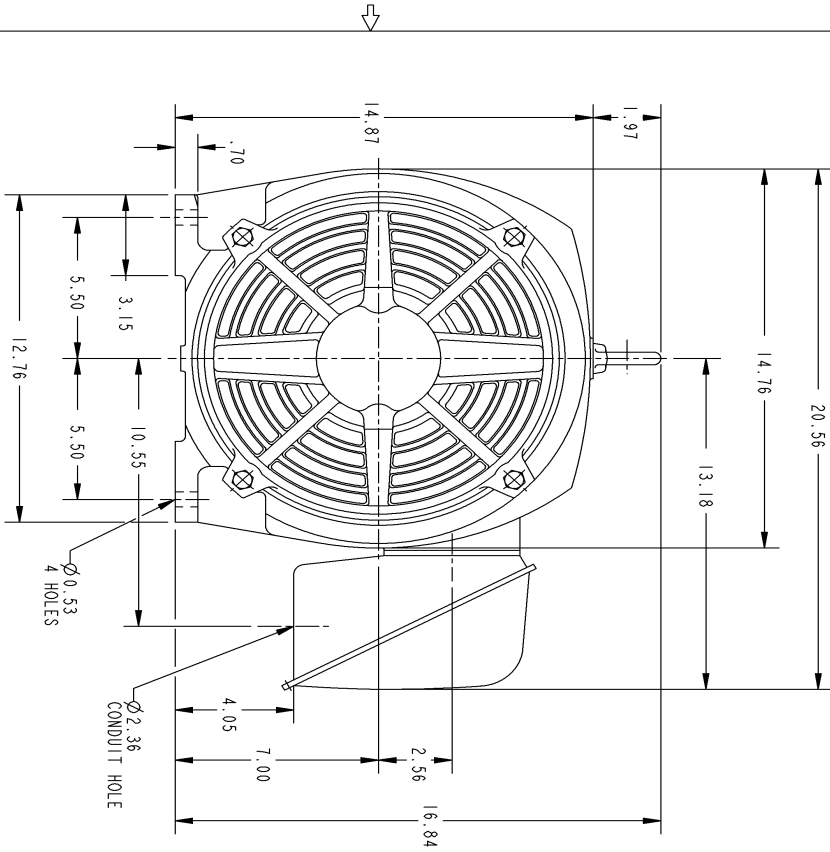
Open Circuit A-C:	0.589	Short Circuit D-C:	0.022
Short Circuit A-C:	0.026	X/R Ratio:	8.123
Stator Slots:	48	Rotor Slots:	40

Speed Torque Current Curve (First Connection, First Speed)



NAME:501452442 OBJECT:358B6217AB DATE:15-May-07 15:37:54

Marks:



THIRD ANGLE PROJECTION



NOTES :

1. CONDUIT BOX MAY BE PLACED WITH THE ENTRANCE DOWN, UP OR ON EITHER SIDE.
2. F-1 ASM AS SHOWN.
3. F-2 ASM - HAS CONDUIT BOX ON OPPOSITE SIDE.

GE PROPRIETARY INFORMATION
 This document is the property of General Electric Company (GE) and contains confidential information. It is intended for use only by those individuals authorized to receive it. It is not to be distributed, copied, or otherwise used without the express written permission of GE. If you are not an authorized recipient, you should not disseminate, distribute, or otherwise use this document. This document shall be returned to GE upon its request and destroyed if you are not an authorized recipient. GE reserves the right to modify this document without notice.

SIZE DRAWING FOR
358B6217AB

REVISIONS

REV.	DESCRIPTION	DATE	APPROVED
1	ISAAC 07-0770	05/03/07	R. KOHNE

UNLESS OTHERWISE SPECIFIED:		SIGNATURES		DATE	
DIMENSIONS ARE IN INCHES		P. RAJU		03/27/03	
TOLERANCE ON:		CHECKED		PRABHAKAR	
2 PL DECIMALS ±		ENGR		03/27/03	
3 PL DECIMALS ±		ISSUED		PRABHAKAR	
ANGLES ± 1°		APPLIED PRACTICES		03/27/03	
MATERIAL:		SIZE DRAWING		REV.	
		B		1	
SCALE: DRAWING SCALE		GENERAL ELECTRIC COMPANY		SHEET 1 OF 1	
		Fort Wayne, Indiana			
		286T - OPEN DRIP PROOF			
		358B6217AB			
DISTRIBUTION:					

Marks:

Connection Diagram
GEM2034E-FIG7

