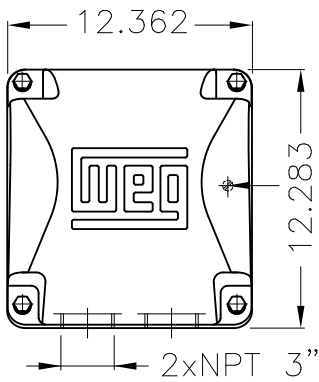


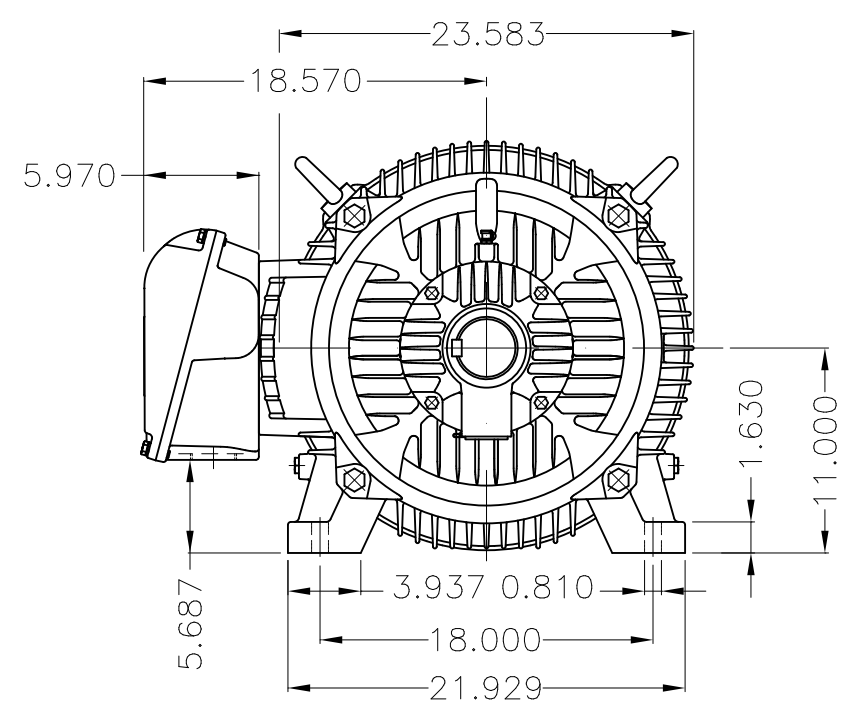
Dimensões em polegada  
Dimensions in inches

THIS IS AN UPDATED REVISION, THE  
PREVIOUS ONE MUST BE DISREGARDED.

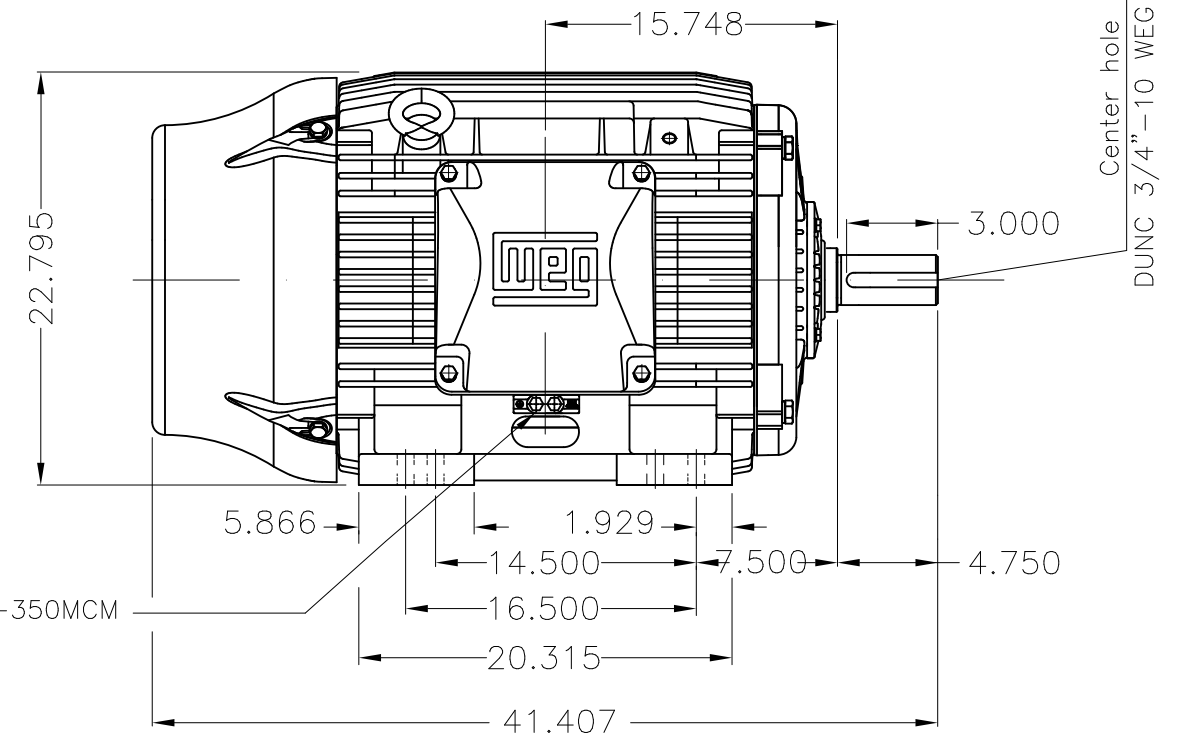


Grounding for leads 35-70 mm<sup>2</sup> / 1-2/0 AWG

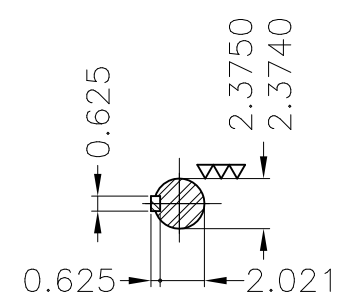
Main terminal box



Grounding for leads 25-185 mm<sup>2</sup> / 3AWG-350MCM



Center hole  
DUNC 3/4"-10 WEG TBG12



DE Shaft End

Type test without inspector - 1 motor/lot  
TS shaft end  
Color RAL 5009  
Painting plan 203A  
Mounting B3R(D)

ECM	LOC	SUMMARY OF MODIFICATIONS	EXECUTED	CHECKED	RELEASED	DATE	VER
EXECUTED	USERADMIN	THREE PHASE W22 MOTOR - HIGH EFF					
CHECKED		FRAME 444/5TS IP55 TEFC					
RELEASED		WEG code: 12701308					
REL DT	24.07.2017	WMO Jaragua do Sul	Product Engineering	SHEET	1 / 1		

150 HP 04 Poles 50 Hz

