

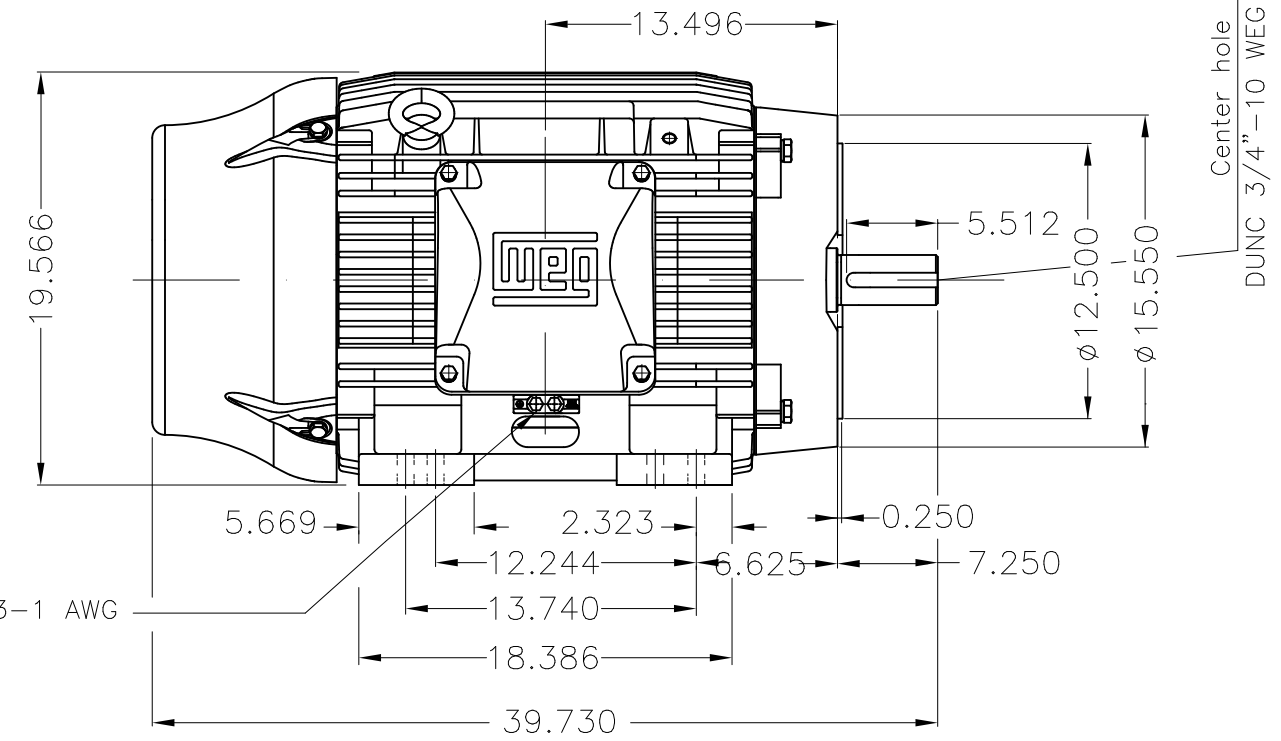
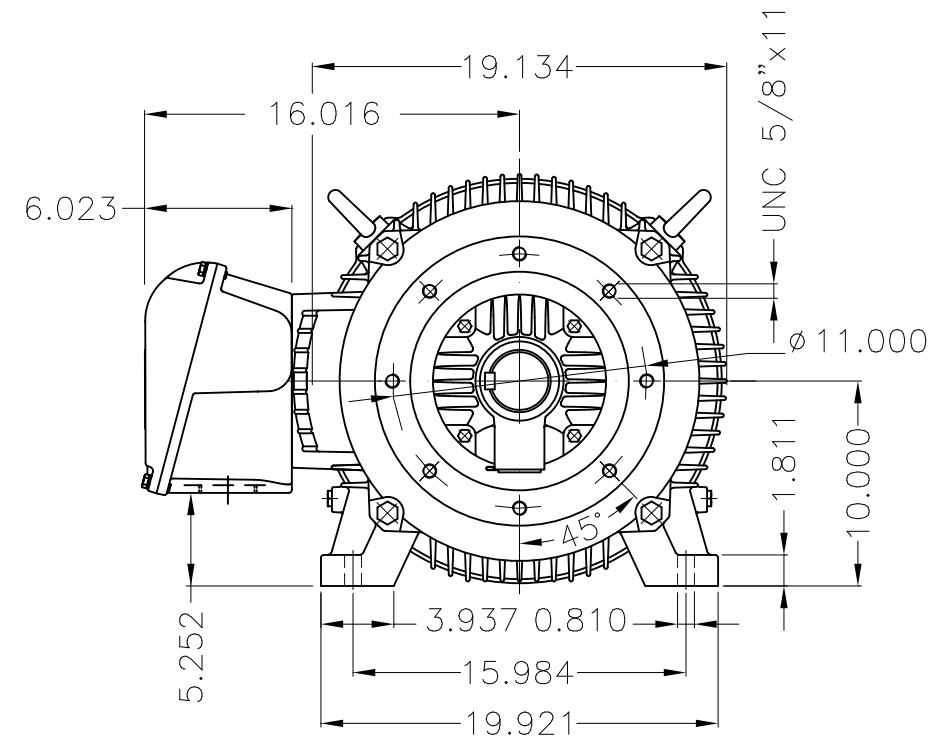
Dimensões em polegada  
Dimensions in inches

THIS IS AN UPDATED REVISION, THE  
PREVIOUS ONE MUST BE DISREGARDED.



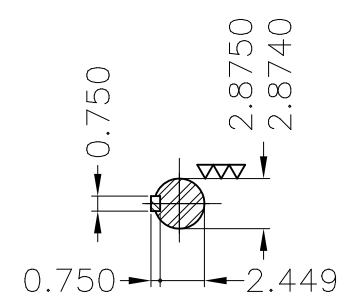
Grounding for leads 25-50 mm<sup>2</sup> / 3-1 AWG

Main terminal box



Center hole  
DUNC 3/4"-10 WEG TBG12

Grounding for leads 25-50 mm<sup>2</sup> / 3-1 AWG



DE Shaft End

Color RAL 5009  
Painting plan 203A  
Mounting B34R(D)

ECM	LOC	SUMMARY OF MODIFICATIONS			EXECUTED	CHECKED	RELEASED	DATE	VER
EXECUTED	USERADMIN		THREE PHASE W22 MOTOR - NEMA PREMIUM EFF						
CHECKED			FRAME 404/5TC IP55 TEFC						
RELEASED			WEG code: 12006668						
REL DT	24.07.2017	WMO	Jaragua do Sul	Product Engineering	SHEET	1 / 1			

100 HP 04 Poles 60Hz

A



ZME A3