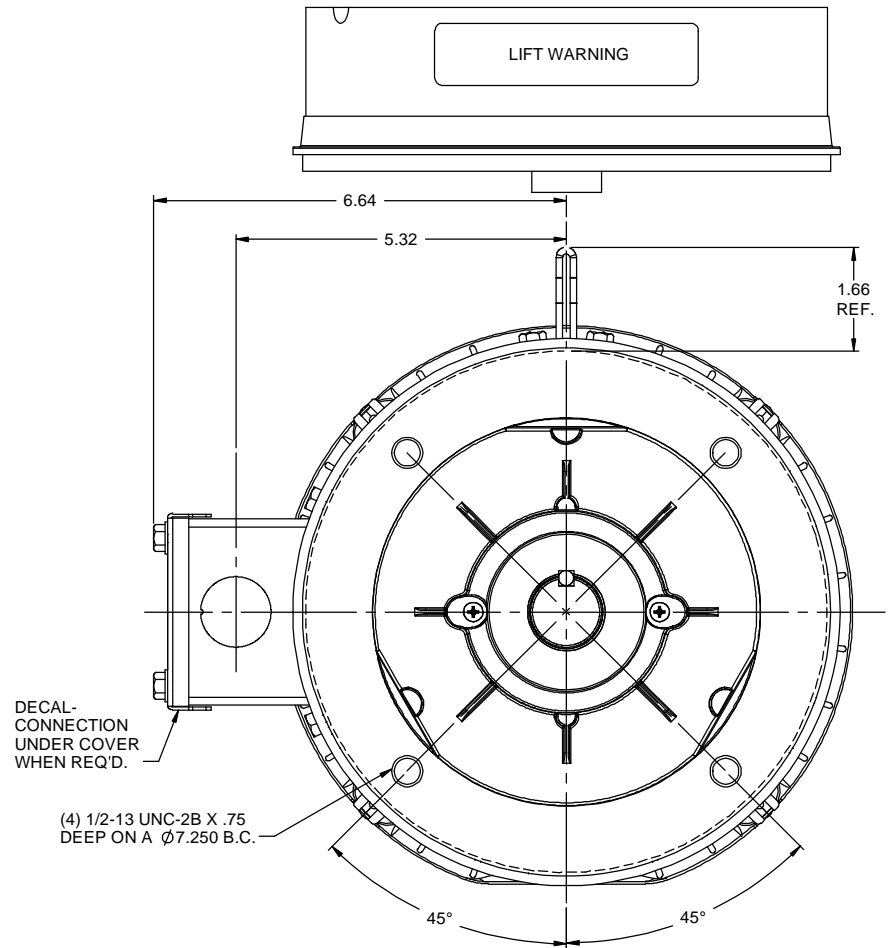
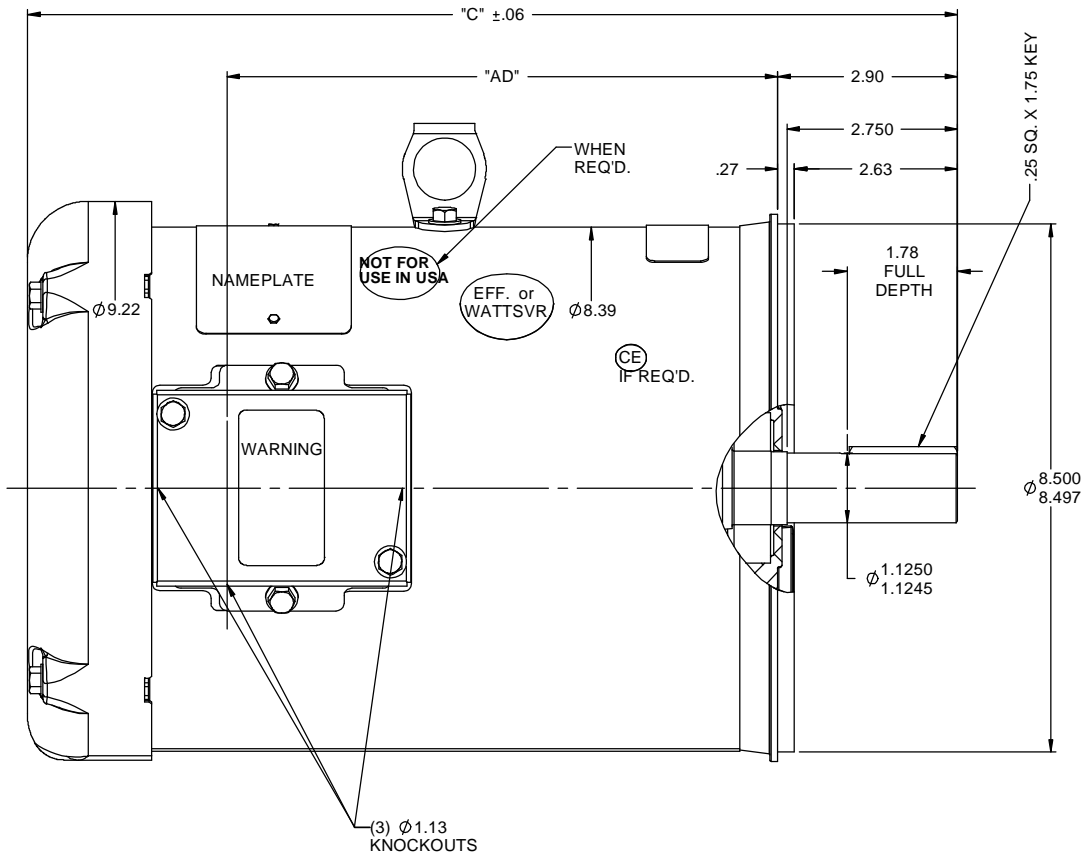


RBC PROPRIETARY AND CONFIDENTIAL INFORMATION
 This document is the property of REGAL BELOIT CORPORATION ("RBC") including its subsidiaries and divisions and contains proprietary information of RBC. This document is loaned on the express condition that neither it nor the information contained therein shall be disclosed to others without the express written consent of RBC, and that the information shall be used by the recipient only as approved expressly by RBC. This document shall be returned to RBC upon its request. This document may be subject to certain restrictions under U.S. export control laws and regulations.



GASKETS THROUGHOUT
 MAXIMUM FACE RUNOUT TO BE .004 T.I.R.
 MAXIMUM PILOT ECCENTRICITY TO BE .004 T.I.R.
 PERMISSIBLE SHAFT RUNOUT TO BE .002 T.I.R.

DASH NO.	"C"	"AD"
750	12.97	6.88
800	13.47	7.38
850	13.97	7.88
900	14.47	8.38
950	14.97	8.88
1000	15.47	9.38
1050	15.97	9.88
1100	16.47	10.38
1150	16.97	10.88

NO		REVISION	BY & DATE	CHK	LANG	TOLERANCES UNLESS SPECIFIED	REGAL BELOIT CORPORATION		DRAWN RDW 4/18/07
NO		REVISION	BY & DATE	CHK	LANG	DEC INCHES	REGAL BELOIT CORPORATION		CHK
						X ±.1	TITLE OUTLINE - 180TC FRAME TEFC - "C" FACE MATL GENERAL PURPOSE		APPR SW 4/18/07
					XX ±.03	SCALE 1:2			
					XXX ±.005	REF 035452			
					XXXX ±.0005	FMF			
		UPDATED & REDRAWN IN SOLIDWORKS	LST 12/17/2009	XX		±1/2°	FINISH	PREV	PAGE OF
							SIZE B	DRAWING NO 035518	REV -
							NETWORK FILE NAME		

THIRD ANGLE PROJECTION