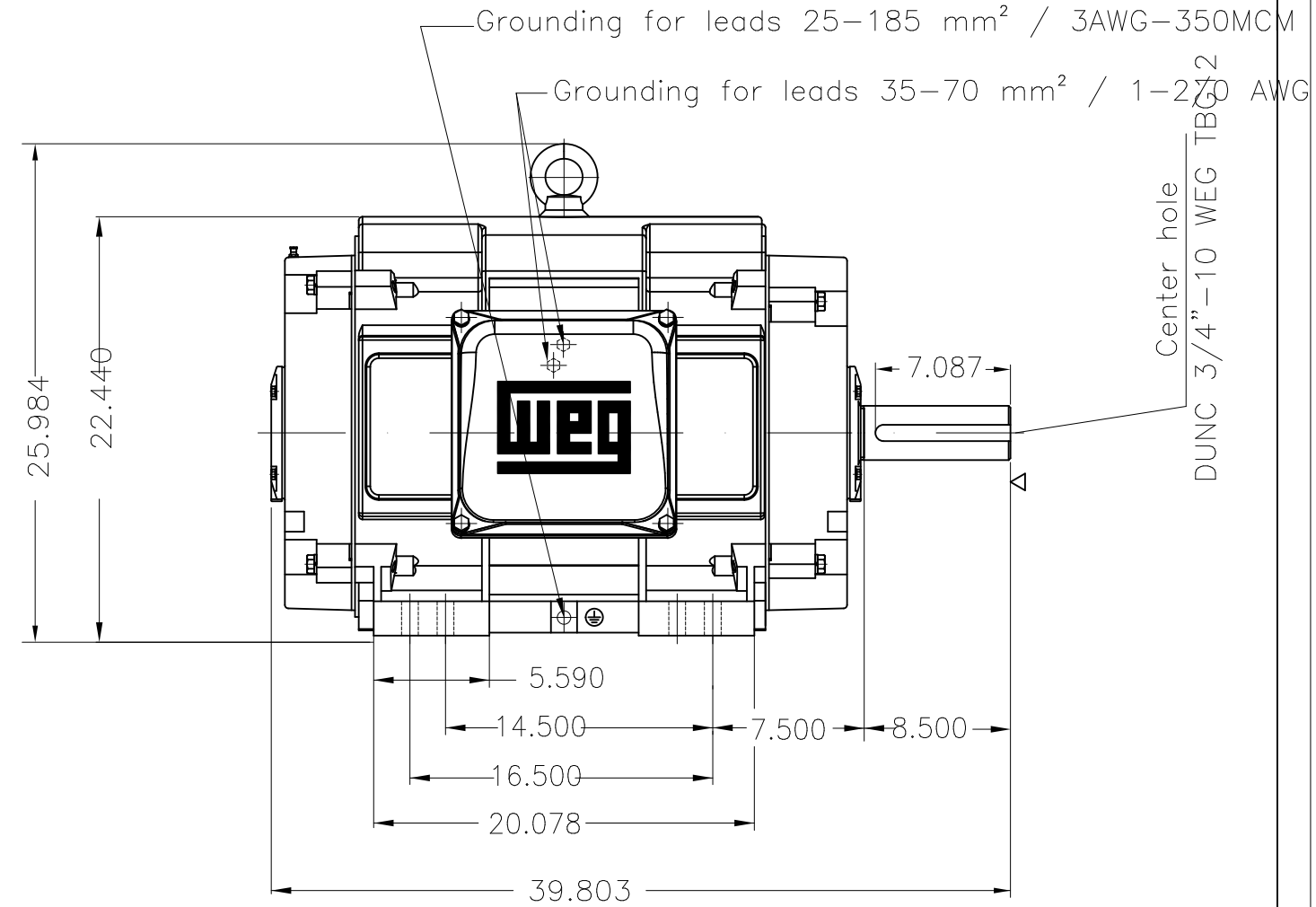
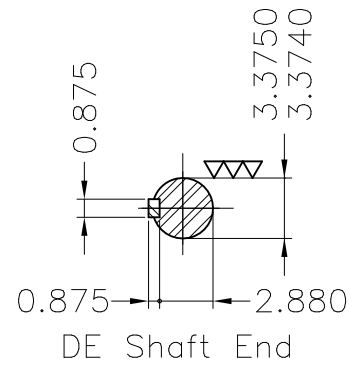
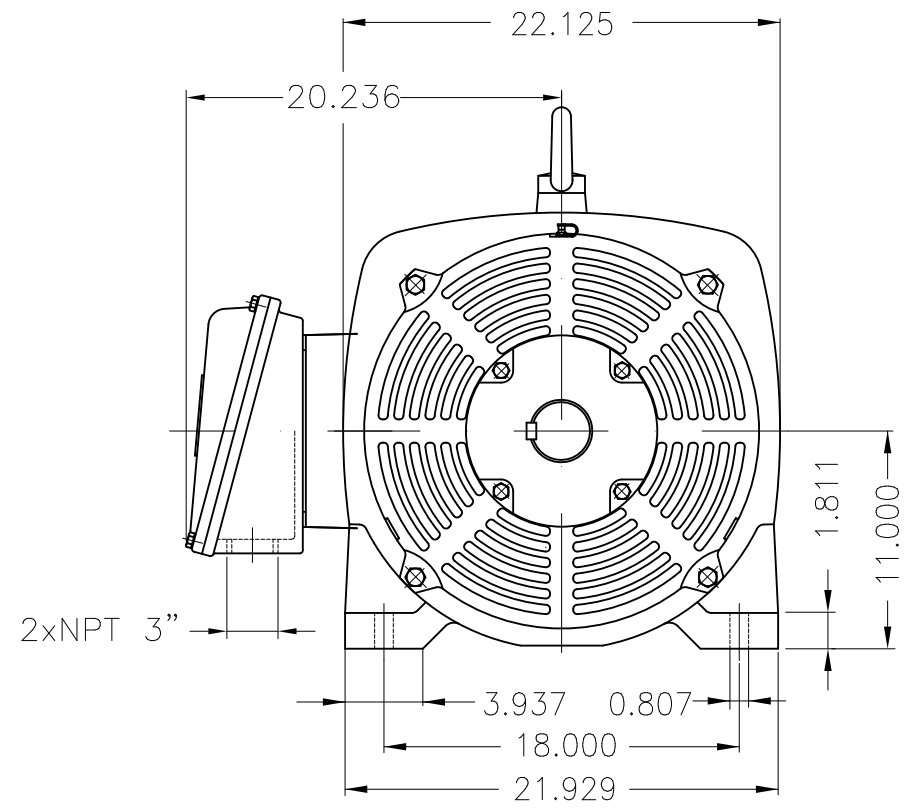
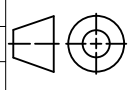


Dimensões em polegada  
Dimensions in inches

THIS IS AN UPDATED REVISION, THE  
PREVIOUS ONE MUST BE DISREGARDED.



Color RAL 5009  
Painting plan 203A  
Mounting B3R(D)

| ECM      | LOC        | SUMMARY OF MODIFICATIONS   |                |                     | EXECUTED | CHECKED | RELEASED | DATE | VER |
|----------|------------|--|----------------|---------------------|----------|---------|----------|------|-----|
| EXECUTED | USERADMIN  |  THREE PHASE NEMA P. EFF MOTOR<br>FRAME 444/5T IP23 ODP<br>WEG code: 10869627 |                |                     |          |         |          |      |     |
| CHECKED  |            |  |                |                     |          |         |          |      |     |
| RELEASED |            |  |                |                     |          |         |          |      |     |
| REL DT   | 24.07.2017 | WMO  | Jaragua do Sul | Product Engineering | SHEET    | 1 / 1   |          |      |     |

200 HP 04 Poles 60Hz

